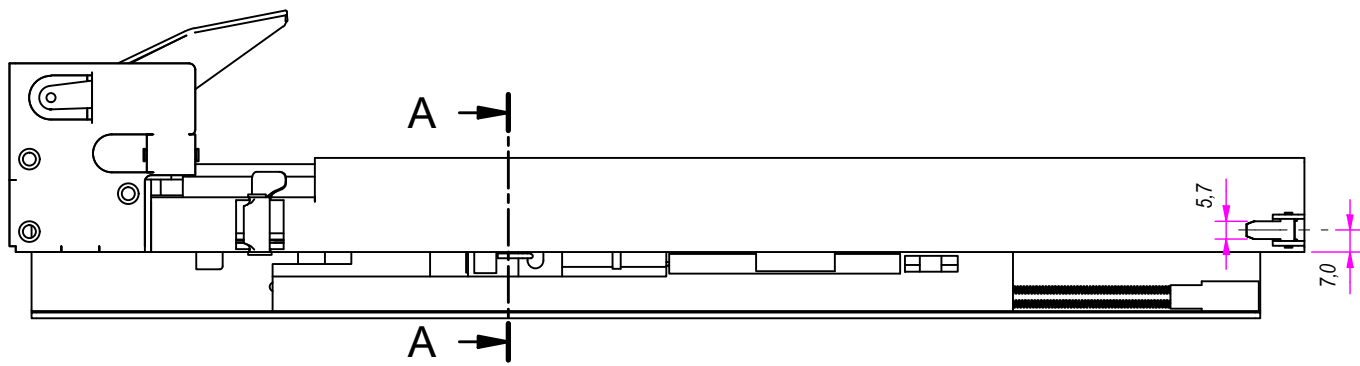
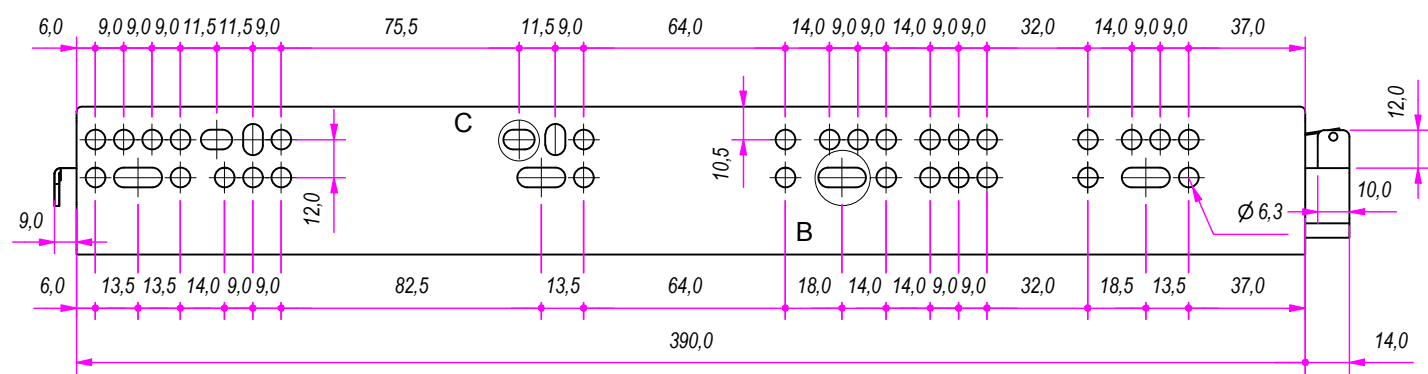
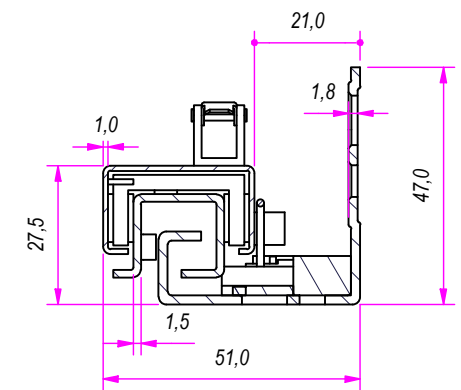
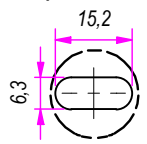


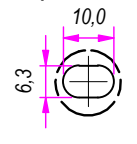
SEZ. A-A



B (1:1.5)

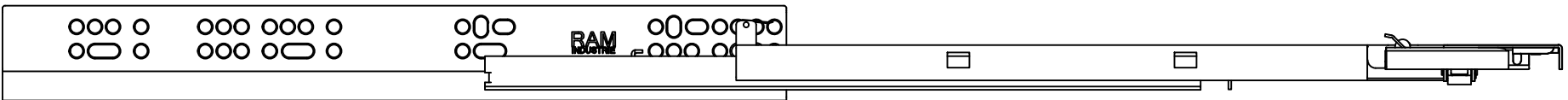
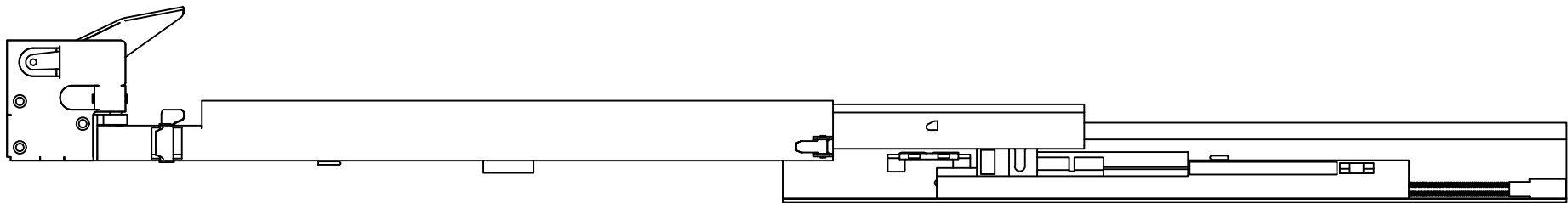
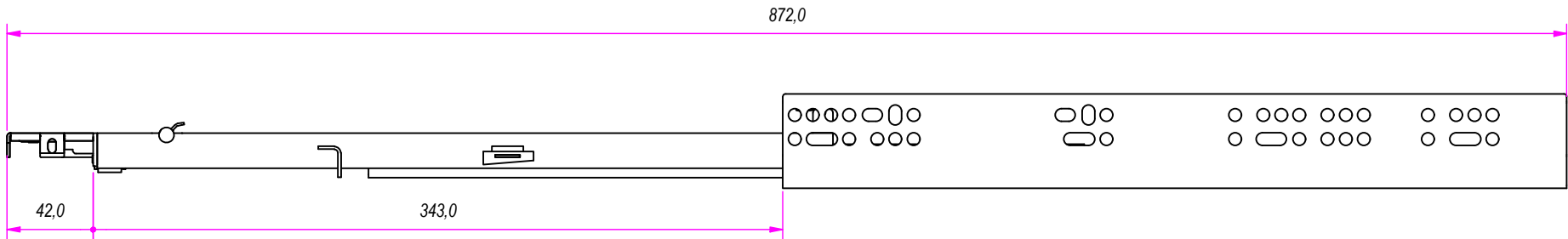
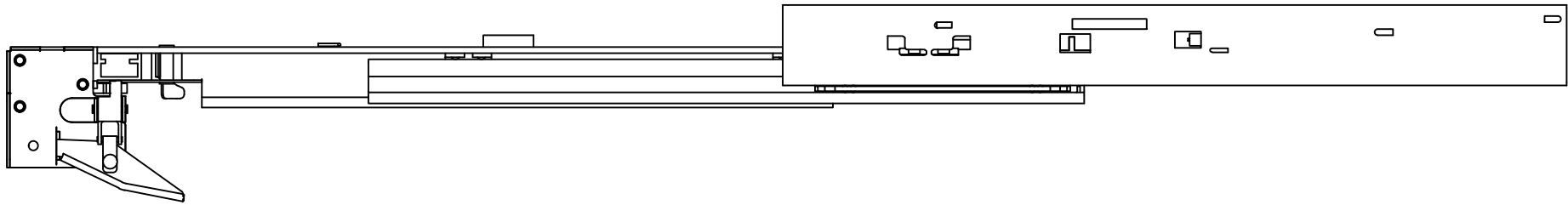


C (1:1.5)



DESIGNED BY F. Dino	CHECKED AND APPROVED BY L. Paleari	GENERAL TOLERANCE SS-ISO-2768-1M	DATE 05/09/2017	CODE Q23400
PACKAGING Carton 10 sets/Packed R+L			UNIT mm	SHEET 1 of 3
DESCRIPTION RAM INDUSTRIE			MATERIAL Cold rolled steel 04C	
DEVICE Soft self closing/ Oil piston/Push&Rebound			PAIR WEIGHT 2,036 Kg	PAIR WEIGHT WITH CARTON 2,125 Kg
Property of RAM Industrie.				
Without its written authorization the present drawing shall neither be used for construction anyway, communicated to third parties, nor reproduced.				

		REVISION HISTORY		
		REV	DESCRIPTION	DATE
Guide per cassetti; guide telescopiche	Coulisses à billes; coulisse télescopique			
Drawer slide; telescopic ball bearing slide	Guías para cajones; guía teleópica	1a		05/09/2017
Kugelführung; Teleskopschienen				

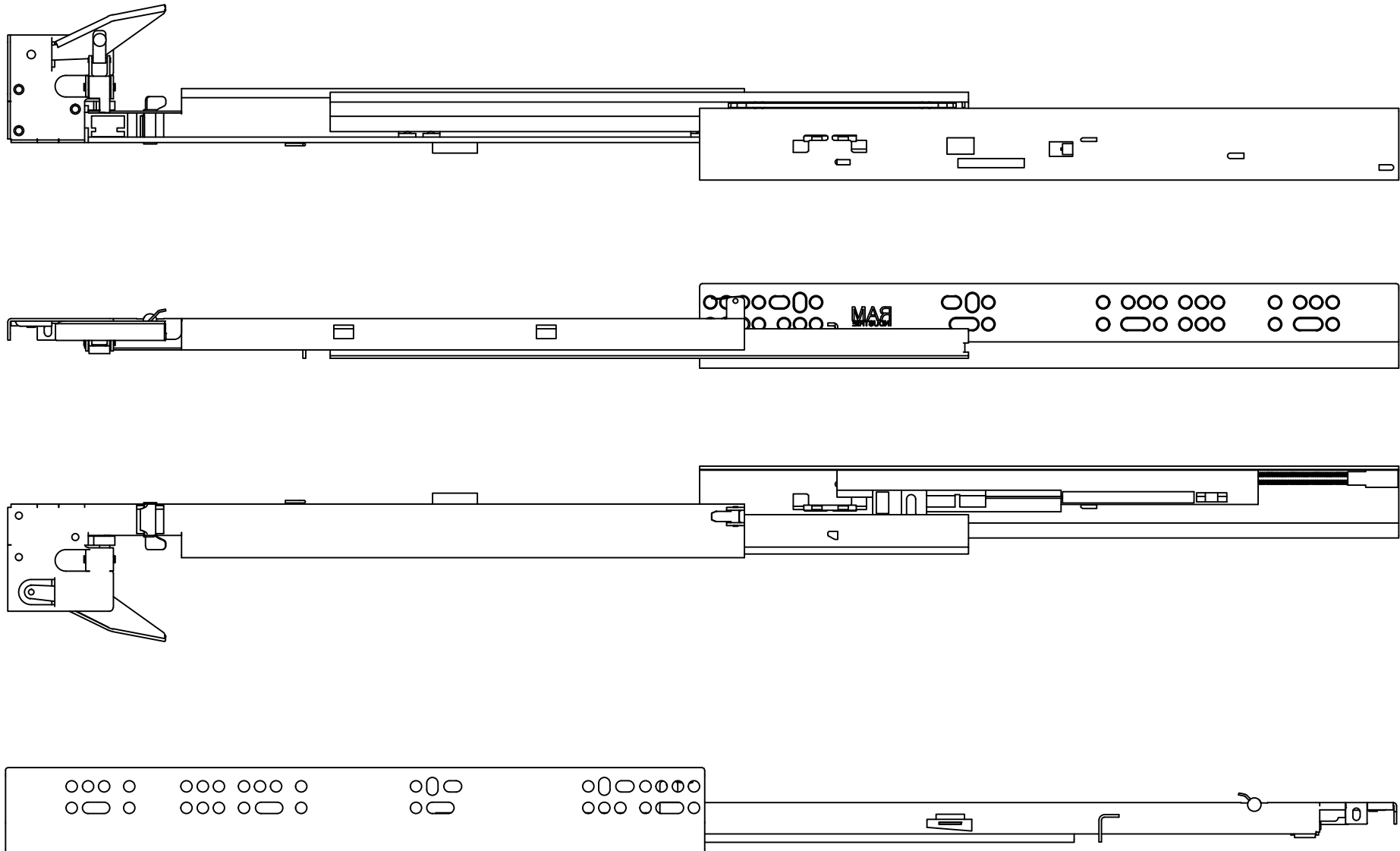



DESIGNED BY F. Dino	CHECKED AND APPROVED BY L. Paleari	GENERAL TOLERANCE SS-ISO-2768-1M	DATE 05/09/2017	CODE Q23400
PACKAGING Carton 10 sets/Packed R+L			UNIT mm	SHEET 2 of 3
DESCRIPTION Soft self closing/ Oil piston/Push&Rebound			MATERIAL Cold rolled steel	04C
			PAIR WEIGHT 2,036 Kg	PAIR WEIGHT WITH CARTON 2,125 Kg

RAM
INDUSTRIE

REVISION HISTORY		REV	DESCRIPTION	DATE
Guide per cassetti; guide telescopiche	Coulisses à billes; coulisse télescopique	1a		05/09/2017
Drawer slide; telescopic ball bearing slide	Guías para cajones; guía teleópica			
Kugelführung; Teleskopschienen				

Property of RAM Industrie.
Without its written authorization the present drawing shall neither be used for construction anyway, communicated to third parties, nor reproduced.



DESIGNED BY F.Dino	CHECKED AND APPROVED BY L. Paleari	GENERAL TOLLERANCE SS-ISO-2768-1M	DATE 05/09/2017	CODE Q23400
		PACKAGING Carton 10 sets/Packed R+L	UNIT mm	SHEET 3 of 3
		DESCRIPTION	MATERIAL Cold rolled steel 04C	
DEVICE Soft self closing/ Oil piston/Push&Rebound	PAIR WEIGHT 2,036 Kg	PAIR WEIGHT WITH CARTON 2,125 Kg		

Property of RAM Industrie.
Without its written authorization the present drawing shall neither be used for construction anyway, communicated to third parties, nor reproduced.