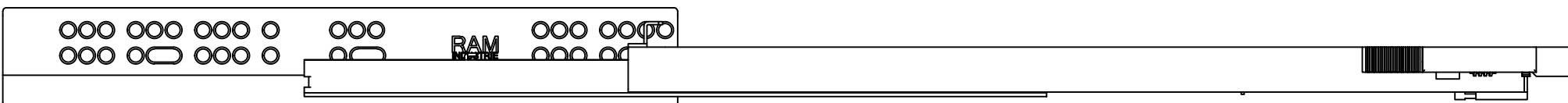
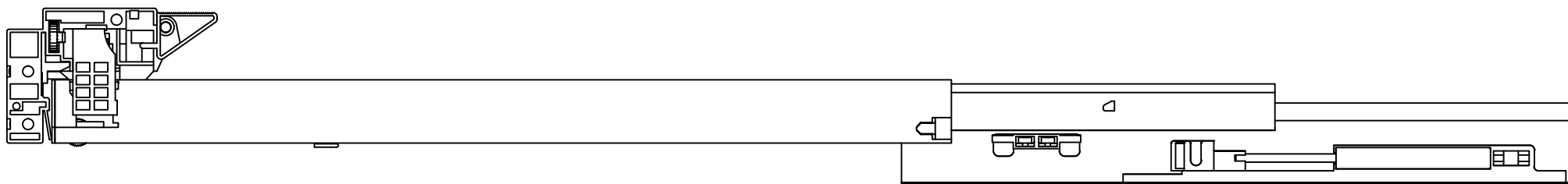
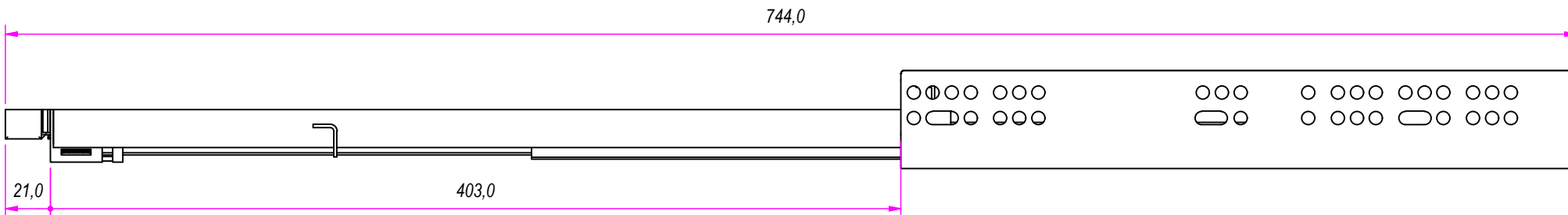
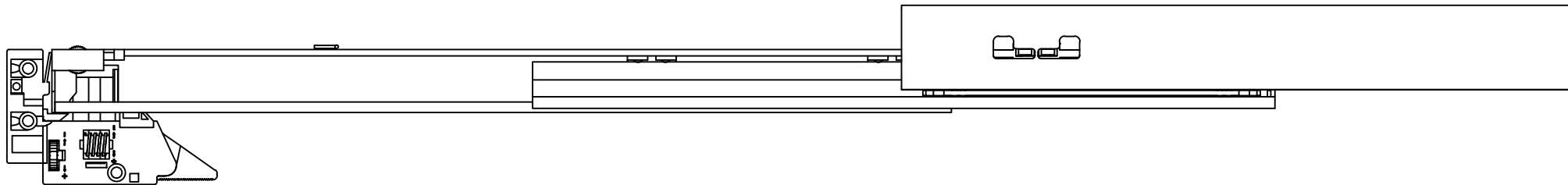


Guide per cassetti; guide telescopiche	Coulisses à billes; coulisse télescopique	REVISION HISTORY	
Drawer slide; telescopic ball bearing slide	Guías para cajones; guía teleópica	REV	DESCRIPTION
Kugelführung; Teleskopschienen		1a	DATE
			19/07/2019

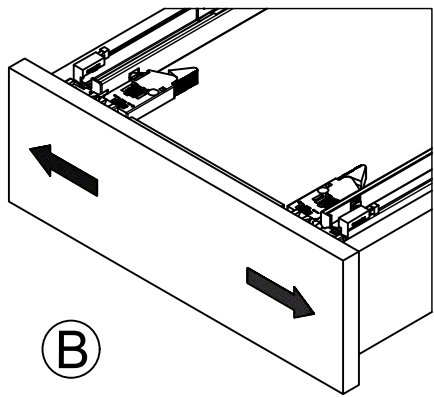
DESIGNED BY F. Dino	CHECKED AND APPROVED BY L. Paleari	GENERAL TOLLERANCE SS-ISO-2768-1M	DATE 19/07/2019	CODE Q24450
		PACKAGING Carton 10 sets/Packed R+L	UNIT mm	SHEET 1 of 3
		DESCRIPTION 3 adjustment handle	MATERIAL Cold rolled steel	04C
		DEVICE Soft self closing/Oil piston	PAIR WEIGHT 1,982 Kg	PAIR WEIGHT WITH CARTON 2,083 Kg
Property of RAM Industrie. Without its written authorization the present drawing shall neither be used for construction anyway, communicated to third parties, nor reproduced.				



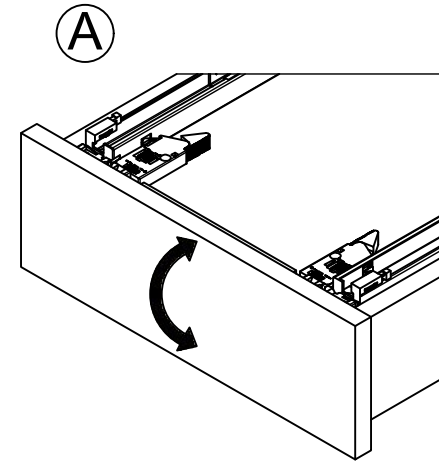
Guide per cassetti; guide telescopica	Coulisses à billes; coulisse télescopique
Drawer slide; telescopic ball bearing slide	Guías para cajones; guía teleópica
Kugelführung; Teleskopschienen	

REVISION HISTORY	
REV	DESCRIPTION
1a	

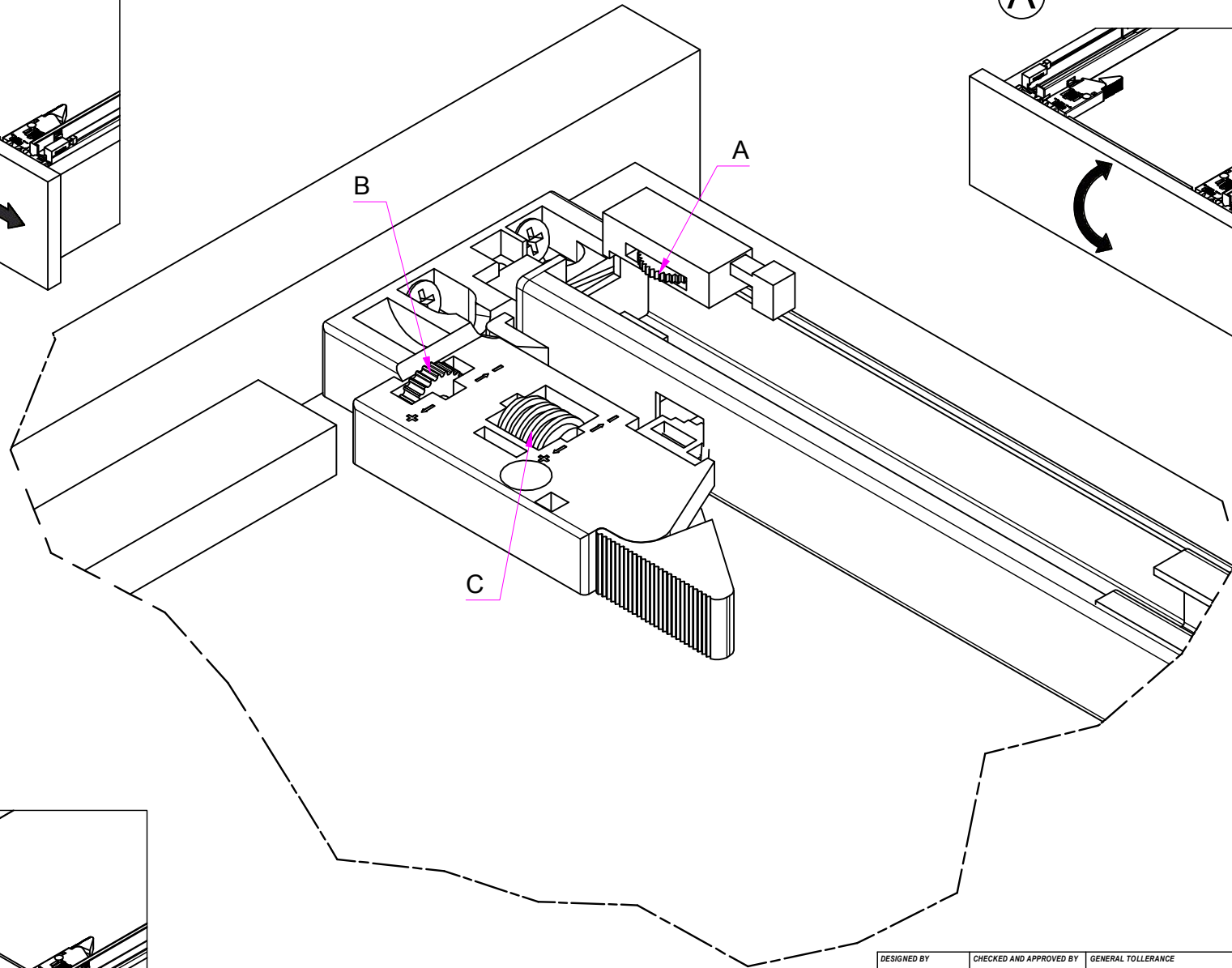
DESIGNED BY F. Dino	CHECKED AND APPROVED BY L. Paleari	GENERAL TOLLERANCE SS-ISO-2768-1M	DATE 19/07/2019	CODE Q24450
		PACKAGING Carton 10 sets/Packed R+L	UNIT mm	SHEET 2 of 3
		DESCRIPTION 3 adjustment handle	MATERIAL Cold rolled steel	04C
		DEVICE Soft self closing/Oil piston	PAIR WEIGHT 1,982 Kg	PAIR WEIGHT WITH CARTON 2,083 Kg
Property of RAM Industrie.				
Without its written authorization the present drawing shall neither be used for construction anyway, communicated to third parties, nor reproduced.				



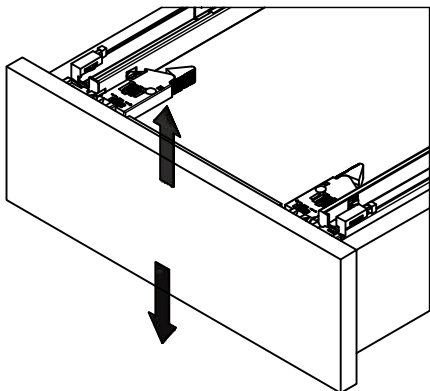
B



A



C



DESIGNED BY F.Dino	CHECKED AND APPROVED BY L. Paleari	GENERAL TOLERANCE SS-ISO-2768-1M	DATE 19/07/2019	CODE Q24450
PACKAGING Carton 10 sets/Packed R+L			UNIT mm	SHEET 3 of 3
		DESCRIPTION 3 adjustment handle	MATERIAL Cold rolled steel	
		DEVICE Soft self closing/Oil piston	PAIR WEIGHT 1,982 Kg	PAIR WEIGHT WITH CARTON 2,083 Kg

04C

Property of RAM Industrie.  
Without its written authorization the present drawing shall neither be used for construction anyway, communicated to third parties, nor reproduced.