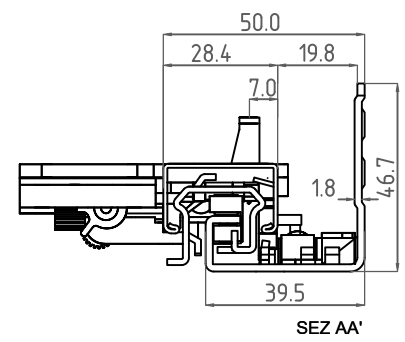
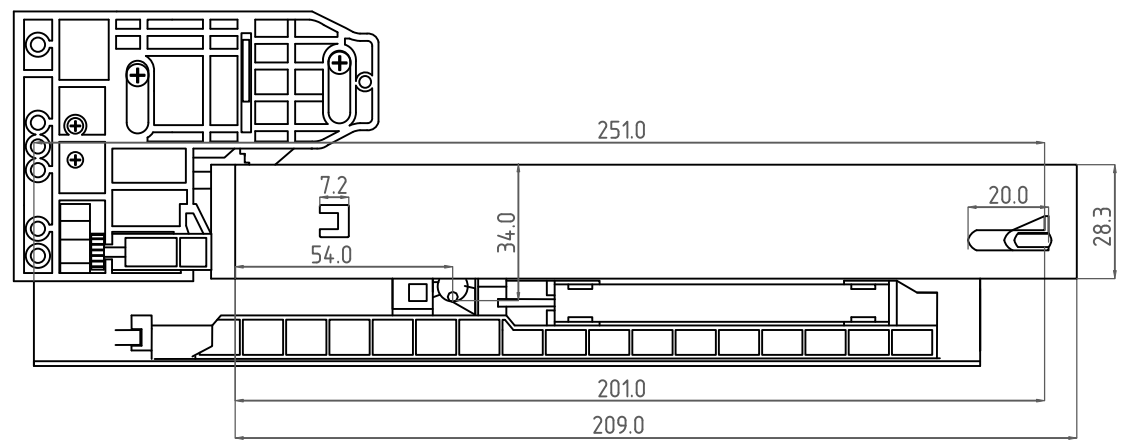
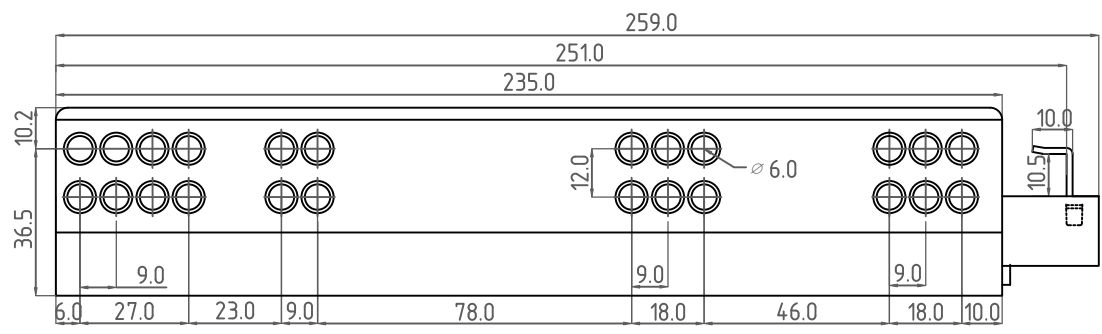
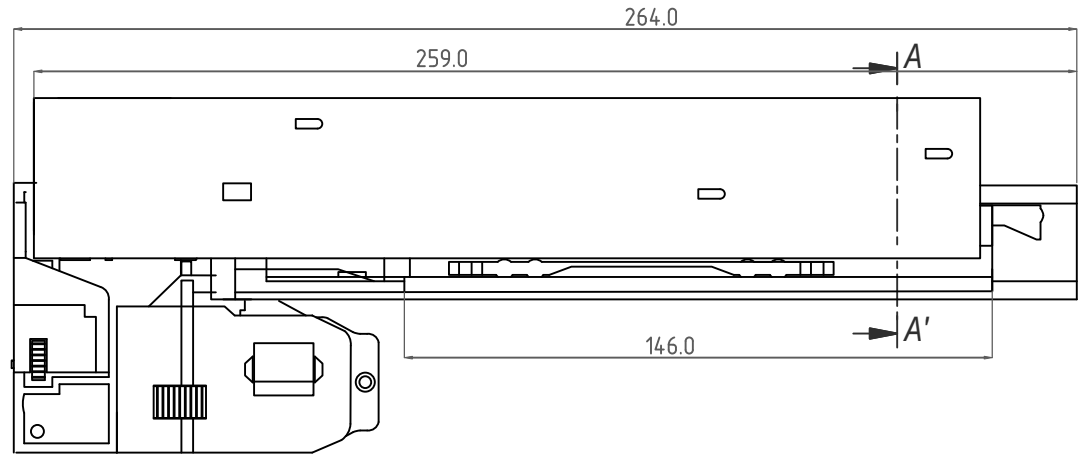


TOLERANCES FOLLOWING ISO 801815
INDICATED BY DIMENSION LINES
TOLERANCES IN MILLIMETERS

Normal dimensions (mm)	0.1	0.2	0.3	0.4	0.5	0.6	0.7	0.8	1.0	1.2	1.5	2.0	2.5	3.0	4.0	5.0	6.0	8.0	10.0
< 0.1	± 0.02	± 0.03	± 0.04	± 0.05	± 0.06	± 0.07	± 0.08	± 0.09	± 0.10	± 0.12	± 0.15	± 0.20	± 0.25	± 0.30	± 0.35	± 0.40	± 0.45	± 0.50	± 0.60

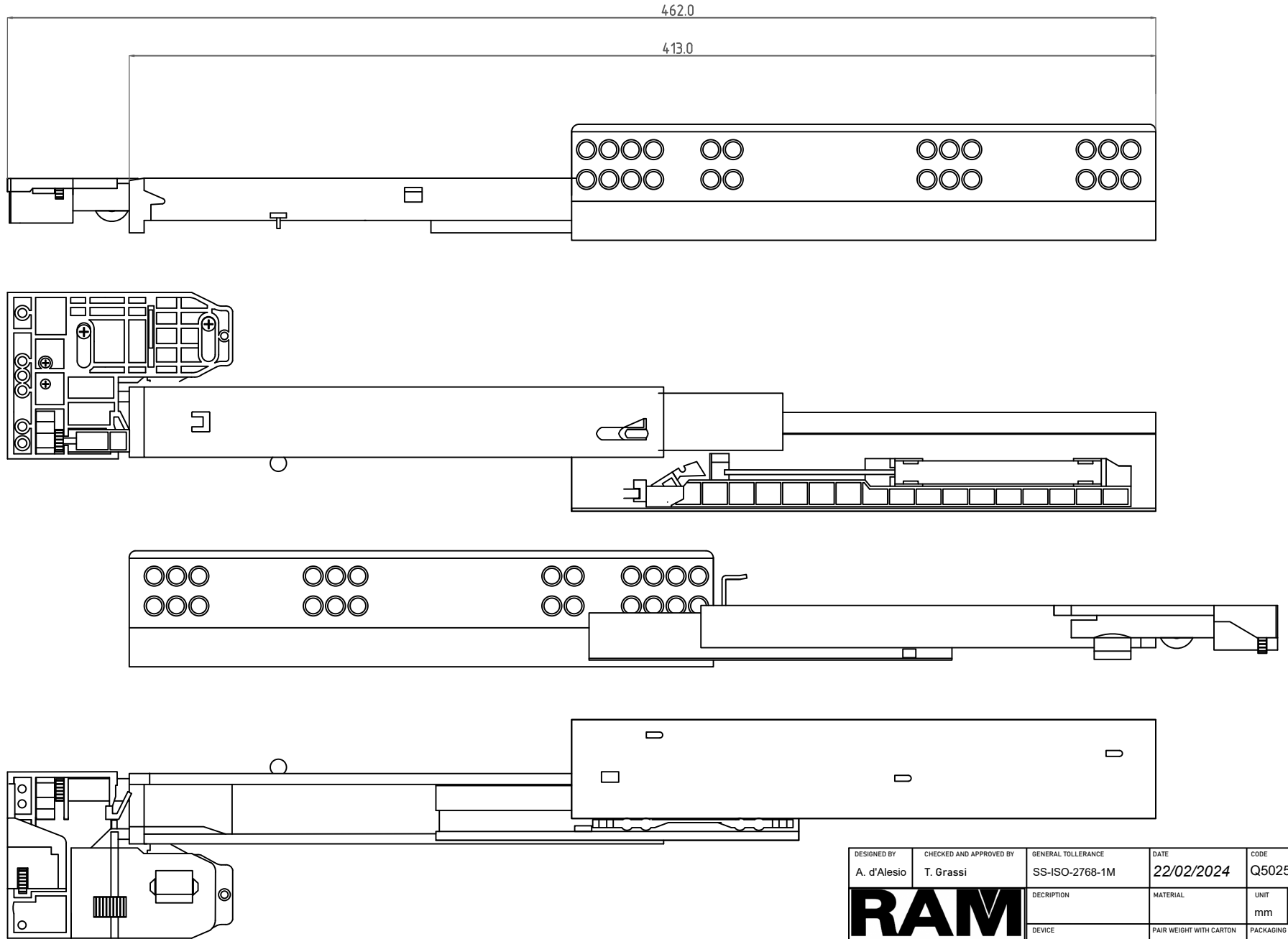


THIS DRAWING IS THE EXCLUSIVE PROPERTY OF RAM INDUSTRIE (THE COMPANY)
 WITHOUT ANY PRIOR WRITTEN AUTHORIZATION OF THE COMPANY
 THIS DRAWING CANNOT BE USED FOR CONSTRUCTION, NEITHER TRANSFERRED
 TO ANY THIRD PARTY OR EVEN PARTIALLY REPRODUCED.
 THE COMPANY WILL LEGALLY DEFEND ITS OWN RIGHTS

DESIGNED BY A. d'Alesio	CHECKED AND APPROVED BY T. Grassi	GENERAL TOLLERANCE SS-ISO-2768-1M	DATE 22/02/2024	CODE Q50250	
		DESCRIPTION	MATERIAL	UNIT mm	SHEET 1 of 2
		DEVICE	PAIR WEIGHT WITH CARTON	PACKAGING Carton 1 piece	
<small>Property of RAM Industrie Without its written authorization the present drawing shall neither be used for construction anyway, communicated to third parties, nor reproduced.</small>					

TOLERANCES FOLLOWING ISO 8015
 INDICATED BY DIMENSION LINES
 TOLLERANZE SECONDO ISO 8015
 INDICATE DALLE LINEE DIMENSIONALI

Normal dimension (mm)	0.1	0.2	0.5	1	2	5	10	20	40	100	200	400	1000
±0.02	±0.03	±0.05	±0.08	±0.12	±0.15	±0.20	±0.25	±0.30	±0.40	±0.50	±0.60	±0.70	±0.80



THIS DRAWING IS THE EXCLUSIVE PROPERTY OF RAM INDUSTRIE (THE COMPANY)
 WITHOUT ANY PRIOR WRITTEN AUTHORIZATION OF THE COMPANY
 THIS DRAWING CANNOT BE USED FOR CONSTRUCTION, NEITHER TRANSFERRED
 TO ANY THIRD PARTY OR EVEN PARTIALLY REPRODUCED.
 THE COMPANY WILL LEGALLY DEFEND ITS OWN RIGHTS

DESIGNED BY A. d'Alesio	CHECKED AND APPROVED BY T. Grassi	GENERAL TOLLERANCE SS-ISO-2768-1M	DATE 22/02/2024	CODE Q50250	
		DESCRIPTION	MATERIAL	UNIT mm	SHEET 2 of 2
		DEVICE	PAIR WEIGHT WITH CARTON	PACKAGING Carton 1 piece	
<small>Property of RAM Industrie Without its written authorization the present drawing shall neither be used for construction anyway, communicated to third parties, nor reproduced.</small>					