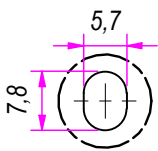
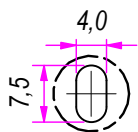


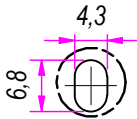
B (1:1)



C (1:1)



D (1:1)



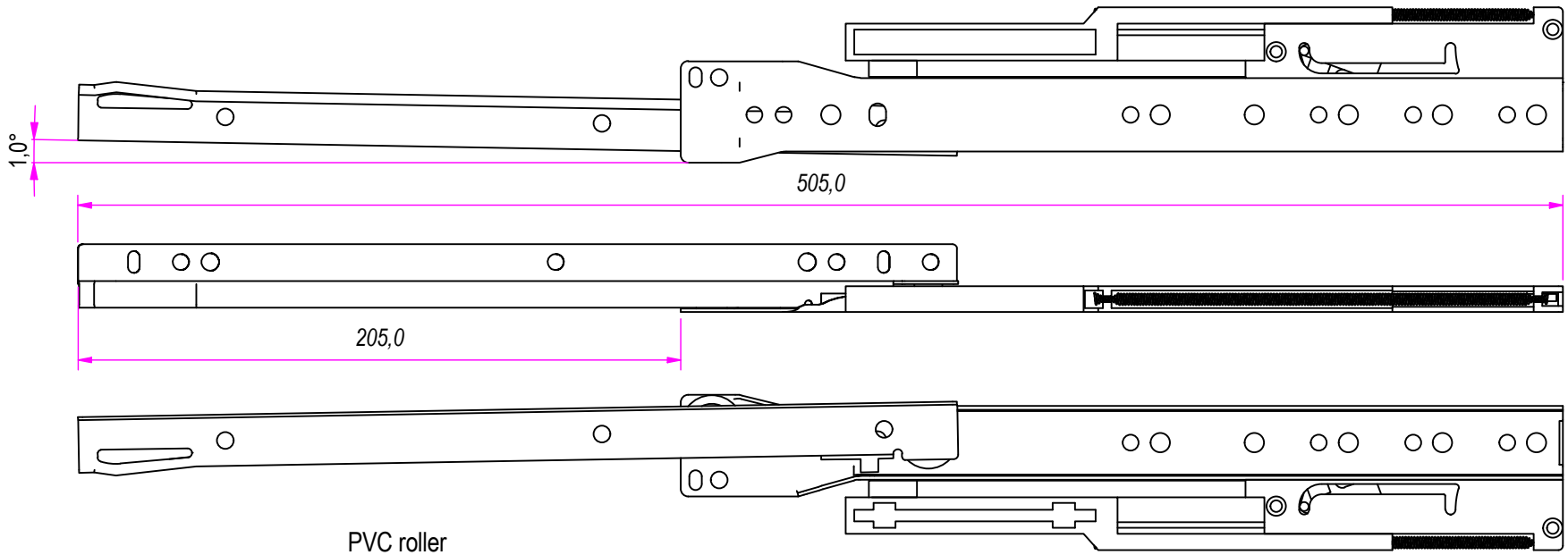
DESIGNED BY F. Dino	CHECKED AND APPROVED BY L. Paleari	GENERAL TOLERANCE SS-ISO-2768-1M	DATE 24/10/2019	CODE S78300
PACKAGING Carton 20 sets/Packed R+L			UNIT mm	SHEET 1 of 2
AVAILABLE COLOURS White and brown finishing (epoxy powder painting)			MATERIAL Cold rolled steel	
DEVICE Soft self closing			PAIR WEIGHT 0,42 Kg	

RAM
INDUSTRIE

Property of RAM Industrie.

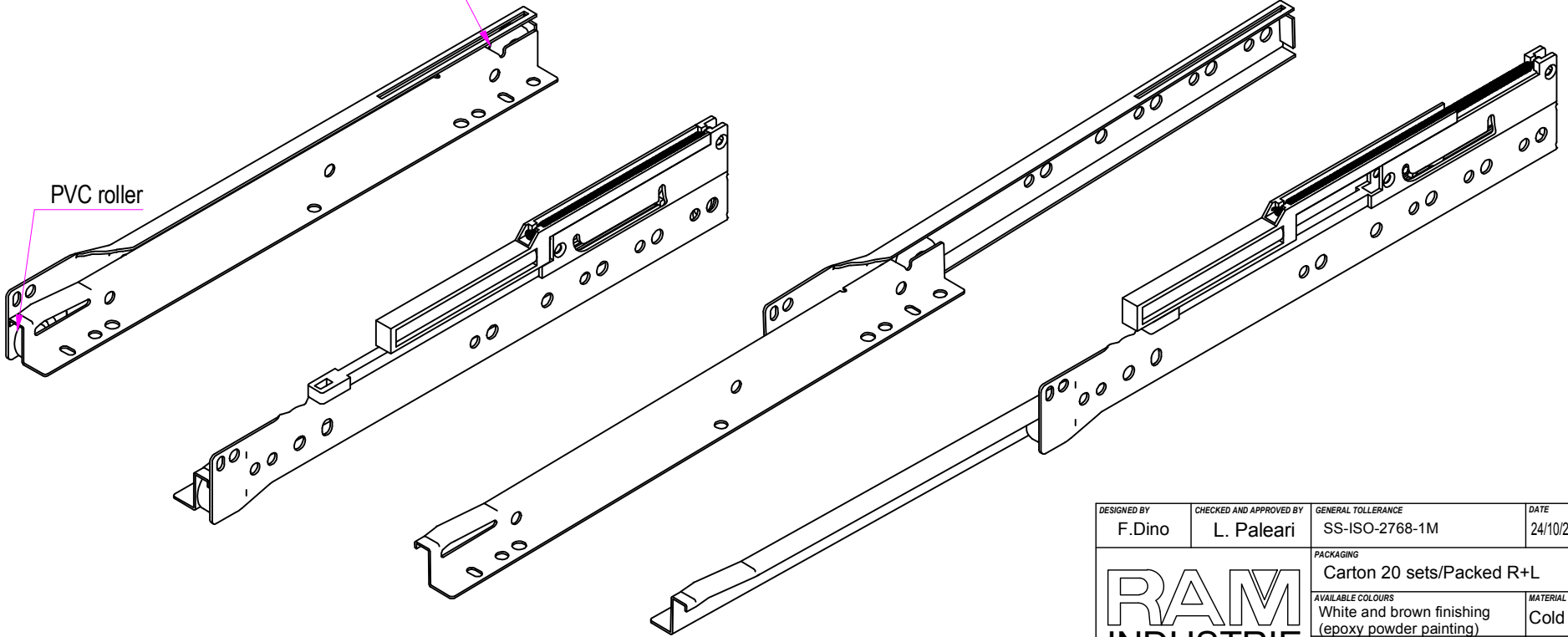
Without its written authorization the present drawing shall neither be used for construction anyway, communicated to third parties, nor reproduced.

REVISION HISTORY		REV	DESCRIPTION	DATE
Guide per cassetti; guide telescopiche	Coulisses à billes; coulisse télescopique			
Drawer slide; telescopic ball bearing slide	Guías para cajones; guía teleópica	1a		24/10/2019
Kugelführung; Teleskopschienen				



PVC roller

PVC roller



DESIGNED BY F. Dino	CHECKED AND APPROVED BY L. Paleari	GENERAL TOLERANCE SS-ISO-2768-1M	DATE 24/10/2019	CODE S78300
PACKAGING Carton 20 sets/Packed R+L			UNIT mm	SHEET 2 of 2
AVAILABLE COLOURS White and brown finishing (epoxy powder painting)			MATERIAL Cold rolled steel	
DEVICE Soft self closing			PAIR WEIGHT 0,42 Kg	

RAM
INDUSTRIE

GUIDE PER CASSETTI; GUIDE TELESCOPICHE		REVISION HISTORY	
DRAWER SLIDE; TELESCOPIC BALL BEARING SLIDE		REV	DESCRIPTION
KUGELFÜHRUNG; TELESKOPSCHANIEN		DATE	
Coulisses à billes; coulisse télescopique		1a	
Guías para cajones; guía teleópica			
		24/10/2019	

Property of RAM Industrie.
Without its written authorization the present drawing shall neither be used for construction anyway, communicated to third parties, nor reproduced.