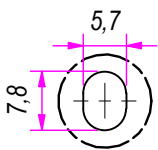
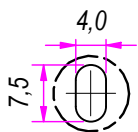


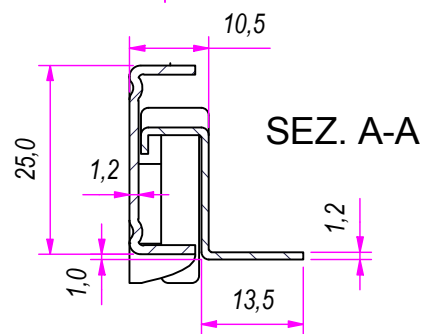
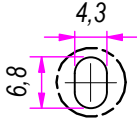
B (1:1)



C (1:1)



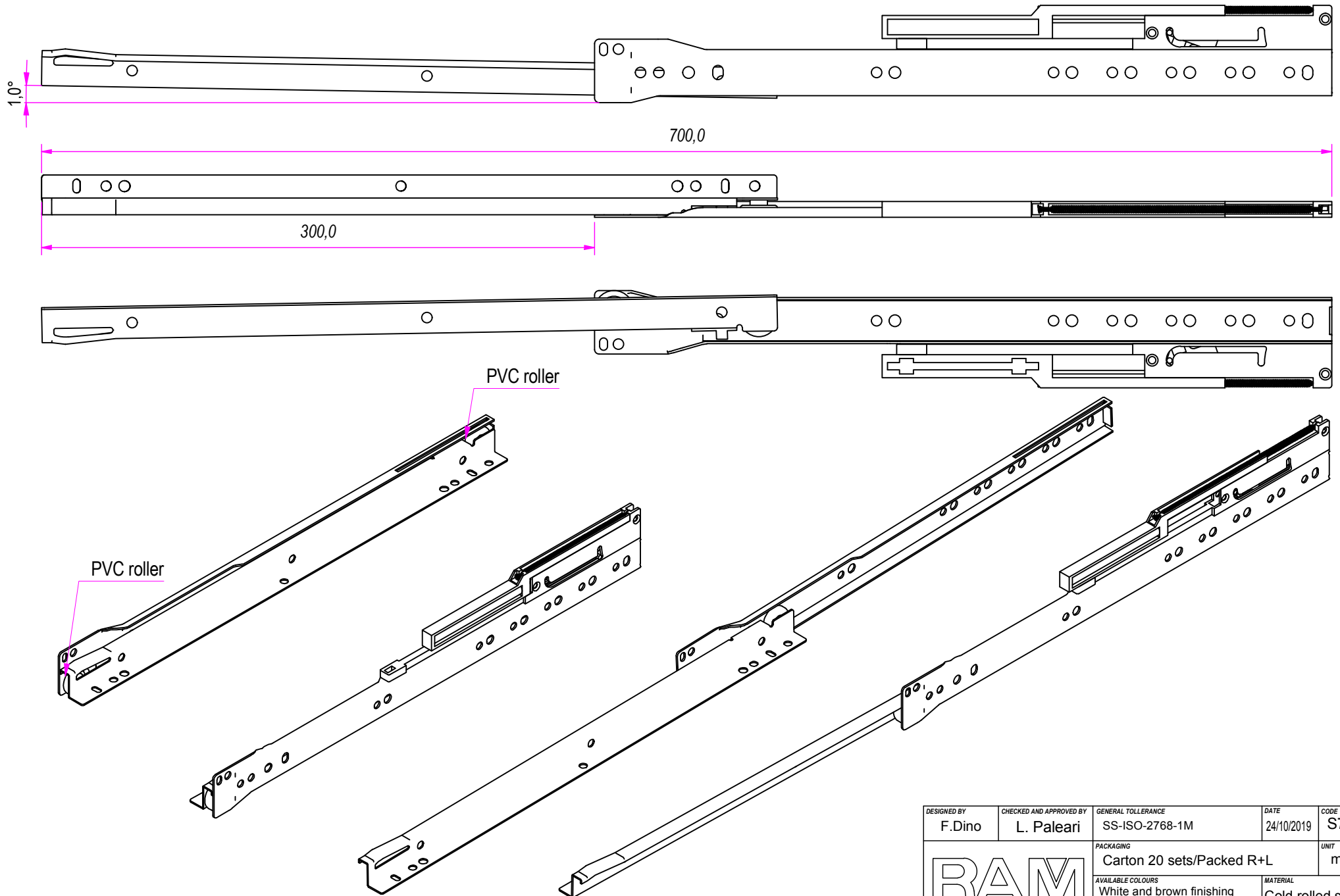
D (1:1)



DESIGNED BY F.Dino	CHECKED AND APPROVED BY L. Paleari	GENERAL TOLERANCE SS-ISO-2768-1M	DATE 24/10/2019	CODE S78400
PACKAGING Carton 20 sets/Packed R+L			UNIT mm	SHEET 1 of 2
AVAILABLE COLOURS White and brown finishing (epoxy powder painting)			MATERIAL Cold rolled steel	
DEVICE Soft self closing			PAIR WEIGHT 0,538 Kg	

DESCRIPTION	REVISION HISTORY	DATE
Guide per cassetti; guide telescopiche Drawer slide; telescopic ball bearing slide Kugelführung; Teleskopschienen	Coulisses à billes; coulisse télescopique Guías para cajones; guía teleópica	24/10/2019
	REV 1a	

Property of RAM Industrie.
Without its written authorization the present drawing shall neither be used for construction anyway, communicated to third parties, nor reproduced.



DESIGNED BY F. Dino	CHECKED AND APPROVED BY L. Paleari	GENERAL TOLERANCE SS-ISO-2768-1M	DATE 24/10/2019	CODE S78400
PACKAGING Carton 20 sets/Packed R+L			UNIT mm	SHEET 2 of 2
AVAILABLE COLOURS White and brown finishing (epoxy powder painting)			MATERIAL Cold rolled steel	
DEVICE Soft self closing			PAIR WEIGHT 0,538 Kg	

RAM
INDUSTRIE

		REVISION HISTORY		
		REV	DESCRIPTION	DATE
Guide per cassetti; guide telescopiche	Coulisses à billes; coulisse télescopique	1a		24/10/2019
Drawer slide; telescopic ball bearing slide	Guías para cajones; guía teleópica			
Kugelführung; Teleskopschienen				

Property of RAM Industrie.
Without its written authorization the present drawing shall neither be used for construction anyway, communicated to third parties, nor reproduced.