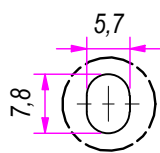
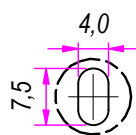


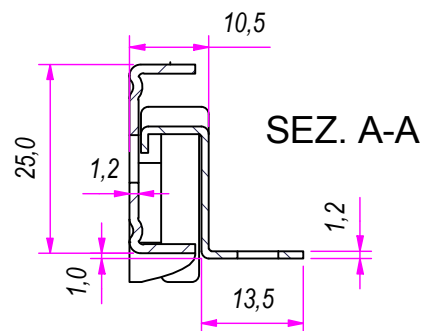
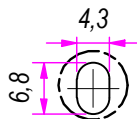
B (1:1)



C (1:1)



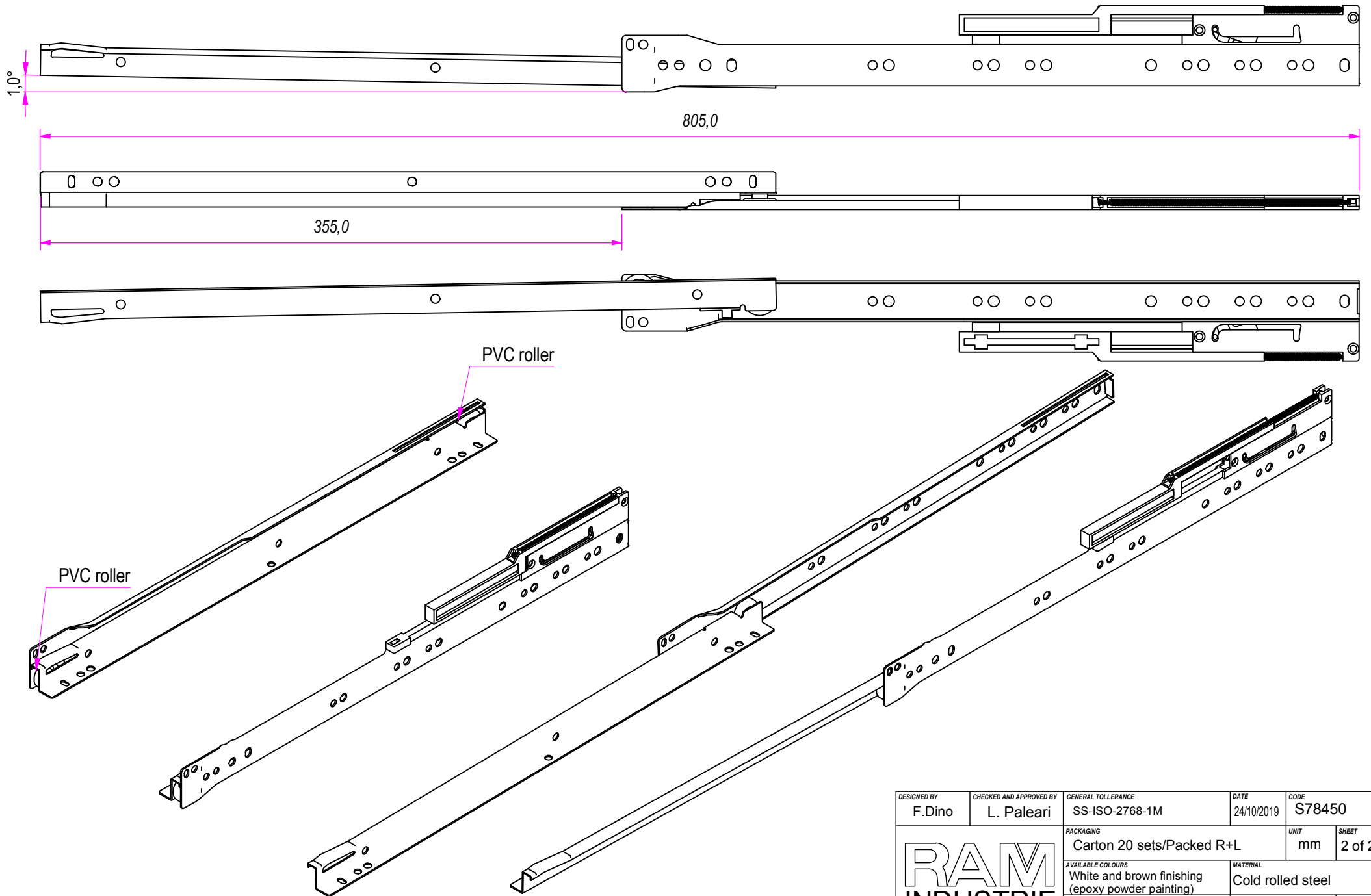
D (1:1)



DESIGNED BY F.Dino	CHECKED AND APPROVED BY L. Paleari	GENERAL TOLERANCE SS-ISO-2768-1M	DATE 24/10/2019	CODE S78450
PACKAGING Carton 20 sets/Packed R+L			UNIT mm	SHEET 1 of 2
AVAILABLE COLOURS White and brown finishing (epoxy powder painting)			MATERIAL Cold rolled steel	
DEVICE Soft self closing			PAIR WEIGHT 0,608 Kg	

GUIDE PER CASSETTI; GUIDE TELESCOPICHE		COULISSES À BILLES; COULISSE TÉLESCOPIQUE		REVISION HISTORY	
DRAWER SLIDE; TELESCOPIC BALL BEARING SLIDE		GUÍAS PARA CAJONES; GUÍA TELEÓPICA		DESCRIPTION	DATE
Kugelführung; Teleskopschienen				REV 1a	24/10/2019

Property of RAM Industrie.  
Without its written authorization the present drawing shall neither be used for construction anyway, communicated to third parties, nor reproduced.



DESIGNED BY F. Dino	CHECKED AND APPROVED BY L. Paleari	GENERAL TOLERANCE SS-ISO-2768-1M	DATE 24/10/2019	CODE S78450
PACKAGING Carton 20 sets/Packed R+L			UNIT mm	SHEET 2 of 2
AVAILABLE COLOURS White and brown finishing (epoxy powder painting)			MATERIAL Cold rolled steel	
DEVICE Soft self closing			PAIR WEIGHT 0,608 Kg	

**RAM**  
**INDUSTRIE**

		REVISION HISTORY		
		REV	DESCRIPTION	DATE
Guide per cassetti; guide telescopiche	Coulisses à billes; coulisse télescopique			
Drawer slide; telescopic ball bearing slide	Guías para cajones; guía teleópica	1a		24/10/2019
Kugelführung; Teleskopschienen				

Property of RAM Industrie.  
Without its written authorization the present drawing shall neither be used for construction anyway, communicated to third parties, nor reproduced.