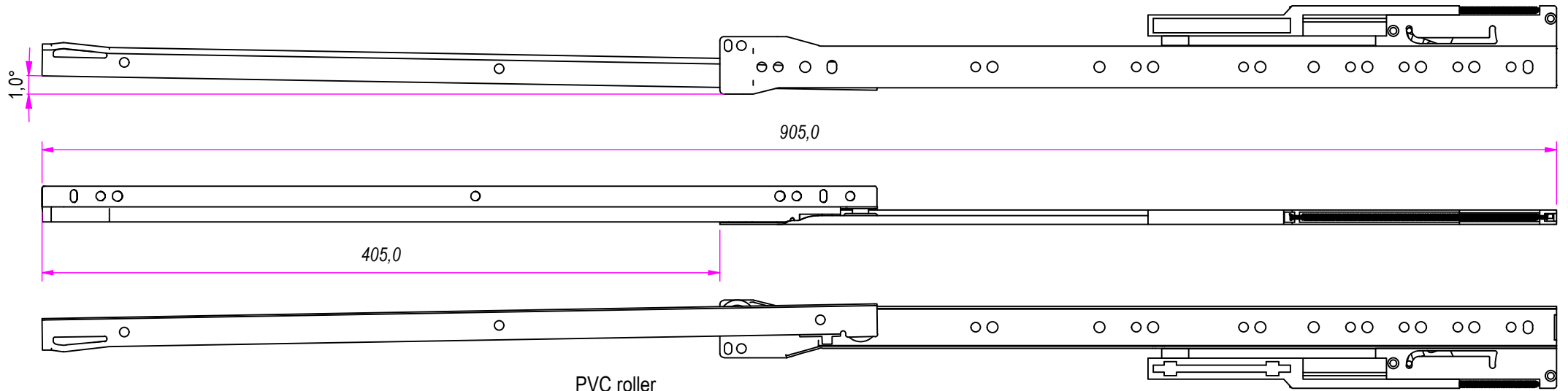


| | | | | |
|-------------------------|---------------------------------------|---|-------------------------------|-----------------|
| DESIGNED BY F. Dino | CHECKED AND APPROVED BY L. Paleari | GENERAL TOLERANCE SS-ISO-2768-1M | DATE 24/10/2019 | CODE S78500 |
| RAM INDUSTRIE | | PACKAGING Carton 20 sets/Packed R+L | UNIT mm | SHEET 1 of 2 |
| | | AVAILABLE COLOURS White and brown finishing (epoxy powder painting) | MATERIAL Cold rolled steel | |
| | | DEVICE Soft self closing | PAIR WEIGHT 0,659 Kg | |

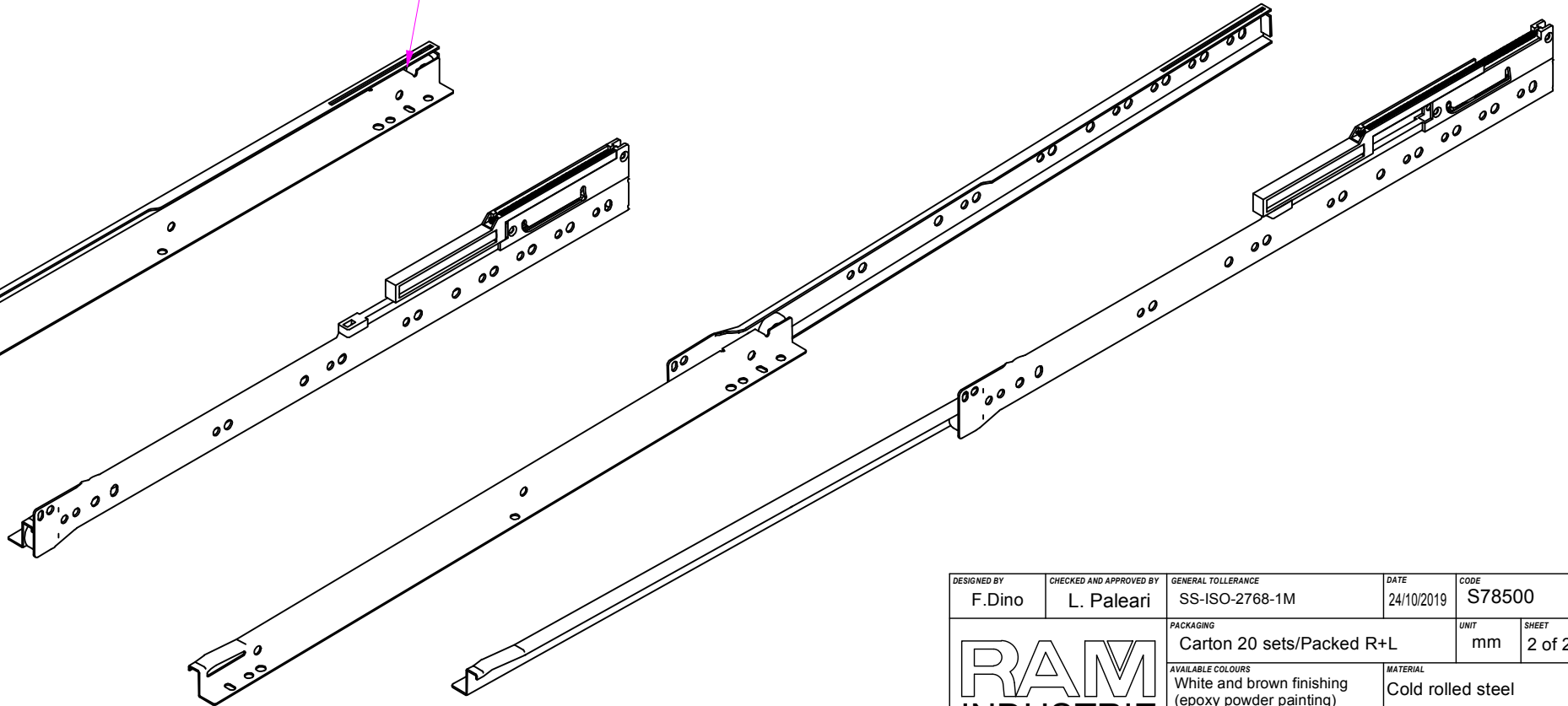
| GUIDE per cassetti; guide telescopiche | | Coulisses à billes; coulisse télescopique | | REVISION HISTORY | |
|---|--|---|--|------------------|-------------|
| Drawer slide; telescopic ball bearing slide | | Guías para cajones; guía teleópica | | REV | DESCRIPTION |
| Kugelführung; Teleskopschienen | | | | 1a | DATE |
| | | | | | 24/10/2019 |

Property of RAM Industrie.
Without its written authorization the present drawing shall neither be used for construction anyway, communicated to third parties, nor reproduced.



PVC roller

PVC roller



| | | | | |
|---|---------------------------------------|-------------------------------------|-------------------------------|-----------------|
| DESIGNED BY F. Dino | CHECKED AND APPROVED BY L. Paleari | GENERAL TOLERANCE SS-ISO-2768-1M | DATE 24/10/2019 | CODE S78500 |
| PACKAGING Carton 20 sets/Packed R+L | | | UNIT mm | SHEET 2 of 2 |
| AVAILABLE COLOURS White and brown finishing (epoxy powder painting) | | | MATERIAL Cold rolled steel | |
| DEVICE Soft self closing | | | PAIR WEIGHT 0,659 Kg | |

RAM
INDUSTRIE

| | | REVISION HISTORY | | |
|---|---|------------------|-------------|------------|
| | | REV | DESCRIPTION | DATE |
| Guide per cassetti; guide telescopiche | Coulisses à billes; coulisse télescopique | 1a | | 24/10/2019 |
| Drawer slide; telescopic ball bearing slide | Guías para cajones; guía teleópica | | | |
| Kugelführung; Teleskopschienen | | | | |

Property of RAM Industrie.
Without its written authorization the present drawing shall neither be used for construction anyway, communicated to third parties, nor reproduced.