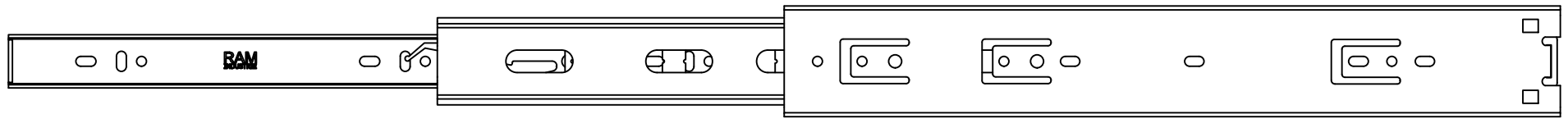


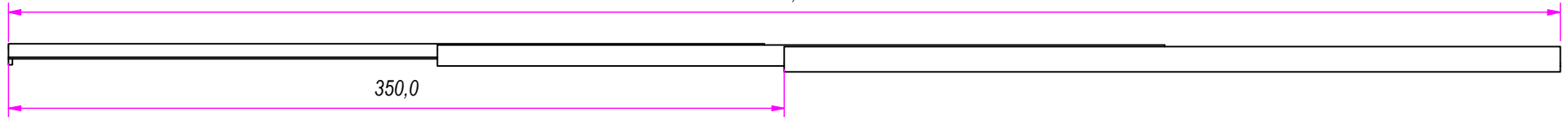
REVISION HISTORY			
REV	DESCRIPTION	APPROVED BY	DATE
1		F.Dino	29/12/2020

DESIGNED BY F.Dino	CHECKED AND APPROVED BY L. Paleari	GENERAL TOLLERANCE SS-ISO-2768-1M	DATE 29/06/2022	SHEET 1 of 2	CODE SH51350
		PACKAGING Carton 5 sets/Packed R+R	CYCLES TEST ✓	SALT SPRAY TEST	L/O LABEL ✓
		DESCRIPTION	MATERIAL Cold rolled steel		
DEVICE		PAIR WEIGHT 1,402 Kg	UNIT mm	02C	

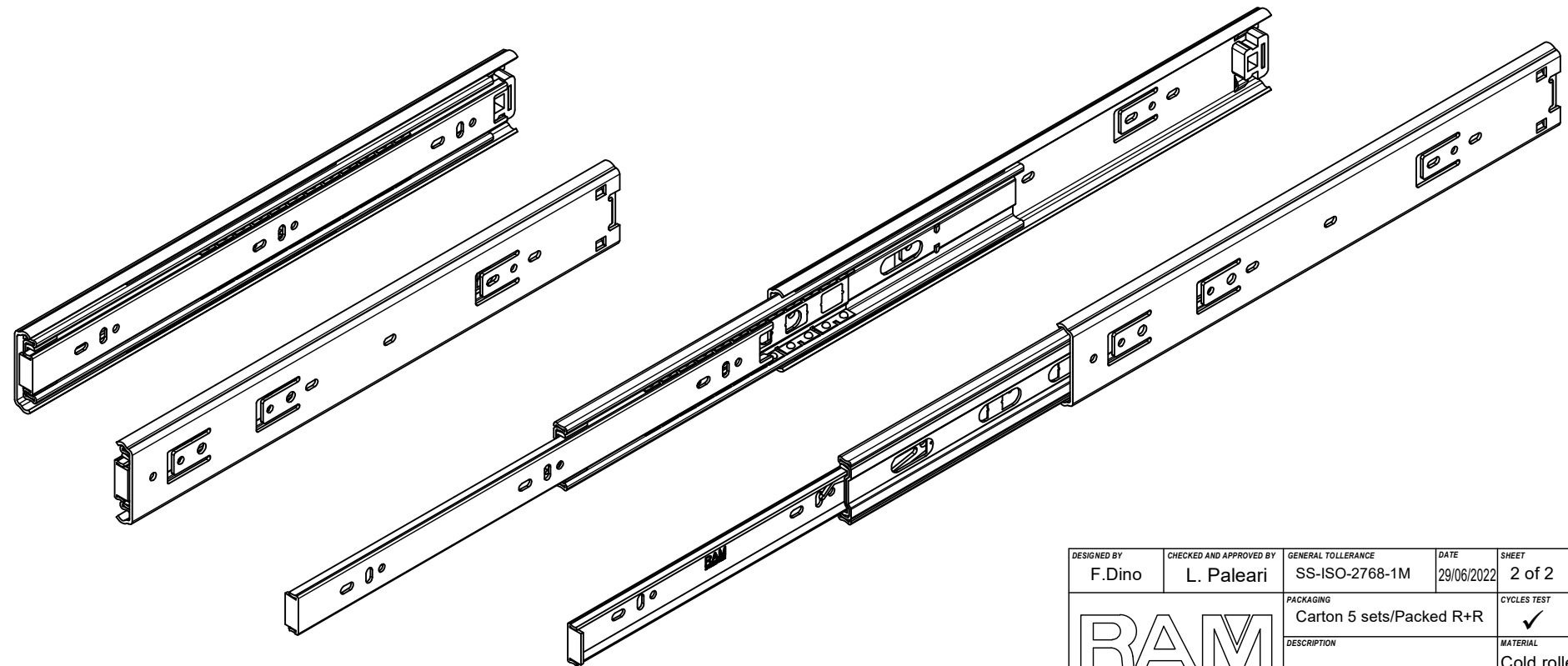
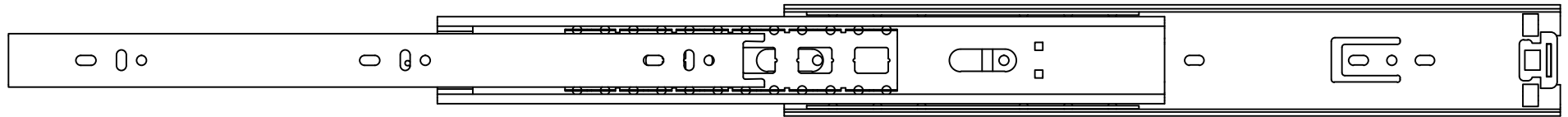
Property of RAM Industrie.  
Without its written authorization the present drawing shall neither be used for construction anyway, communicated to third parties, nor reproduced.



700,0



350,0



REVISION HISTORY			
REV	DESCRIPTION	APPROVED BY	DATE
1		F.Dino	29/12/2020

DESIGNED BY F.Dino	CHECKED AND APPROVED BY L. Paleari	GENERAL TOLERANCE SS-ISO-2768-1M	DATE 29/06/2022	SHEET 2 of 2	CODE SH51350
PACKAGING Carton 5 sets/Packed R+R			CYCLES TEST ✓	SALT SPRAY TEST	L/O LABEL ✓
DESCRIPTION			MATERIAL Cold rolled steel		
DEVICE			PAIR WEIGHT 1,402 Kg	UNIT mm	02C

**RAM**  
**INDUSTRIE**

Property of RAM Industrie.

Without its written authorization the present drawing shall neither be used for construction anyway, communicated to third parties, nor reproduced.