
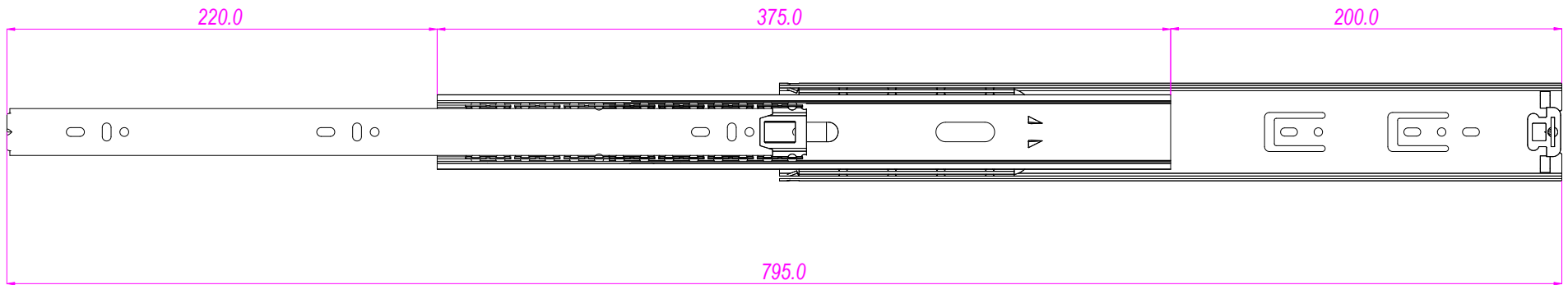
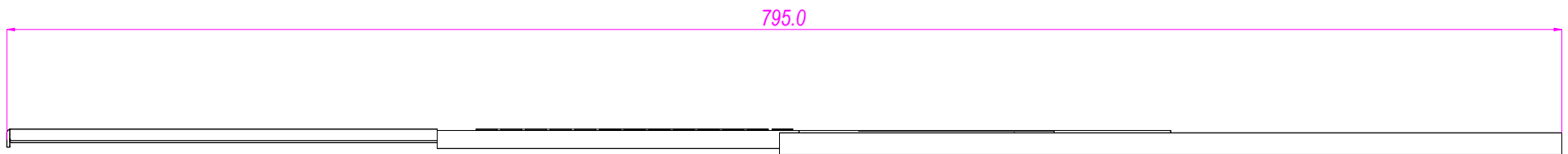
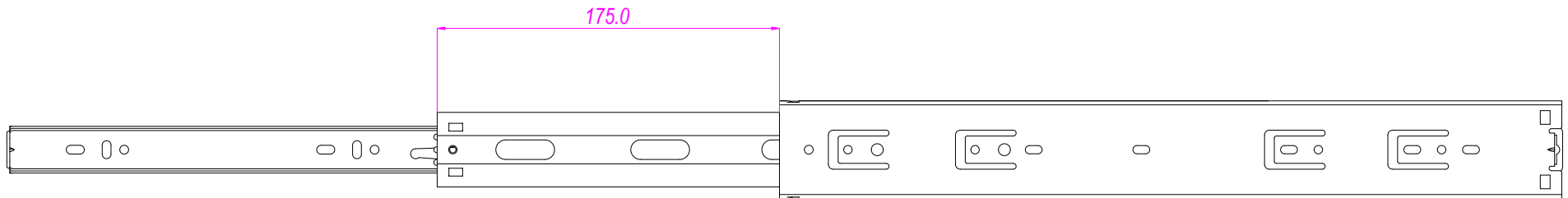



DESIGNED BY A. d'Alesio	CHECKED AND APPROVED BY T. Grassi	GENERAL TOLLERANCE SS-ISO-2768-1M	DATE 02/11/2022	CODE SH51400
PACKAGING Carton 1 piece			UNIT mm	SHEET 1of 2
		DESCRIPTION	MATERIAL Aluminium	
DEVICE			PAIR WEIGHT WITH CARTON	

Property of RAM industrie
Without its written authorization the present drawing shall neither be used for construction anyway, communicated to third parties, nor reproduced.



DESIGNED BY A. d'Alesio	CHECKED AND APPROVED BY T. Grassi	GENERAL TOLLERANCE SS-ISO-2768-1M	DATE 02/11/2022	CODE SH51400
		PACKAGING Carton 1 piece	UNIT mm	SHEET 2of 2
		DESCRIPTION	MATERIAL Aluminium	
		DEVICE	PAIR WEIGHT WITH CARTON	
<small>Property of RAM Industrie Without its written authorization the present drawing shall neither be used for construction anyway, communicated to third parties, nor reproduced.</small>				