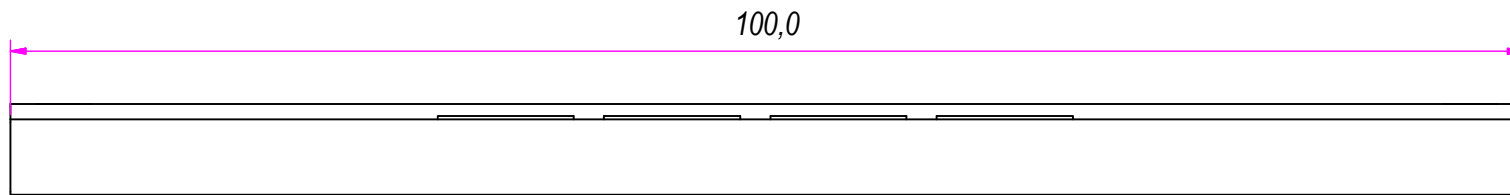
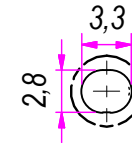
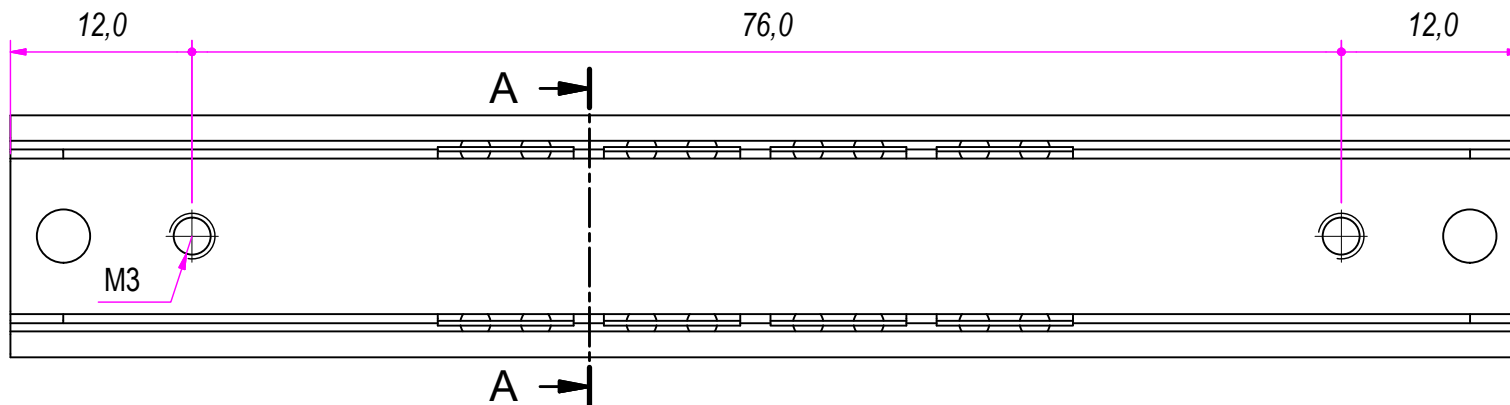
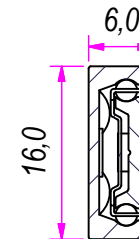


B ( 1 : 0.5 )



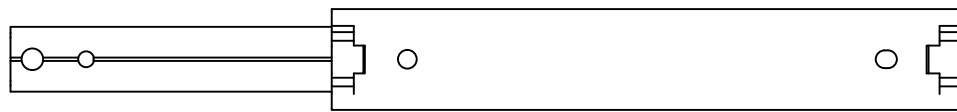
SEZ. A-A



DESIGNED BY F. Dino	CHECKED AND APPROVED BY L. Paleari	GENERAL TOLLERANCE SS-ISO-2768-1M	DATE 08/01/2018	CODE 16100
		PACKAGING Carton 25 sets/Packed R+R	UNIT mm	SHEET 1 of 2
		DESCRIPTION Single extension	MATERIAL Aluminum	
		DEVICE	PAIR WEIGHT 0,034 Kg	14C

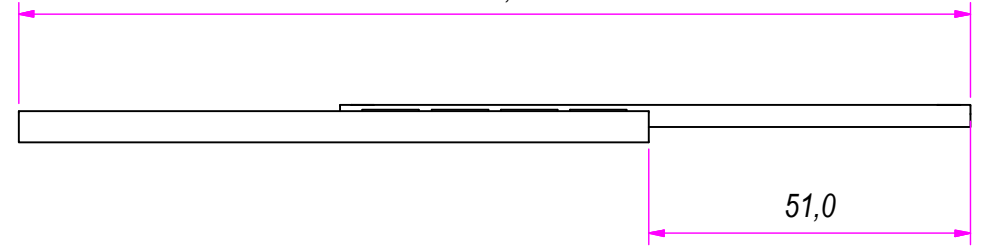
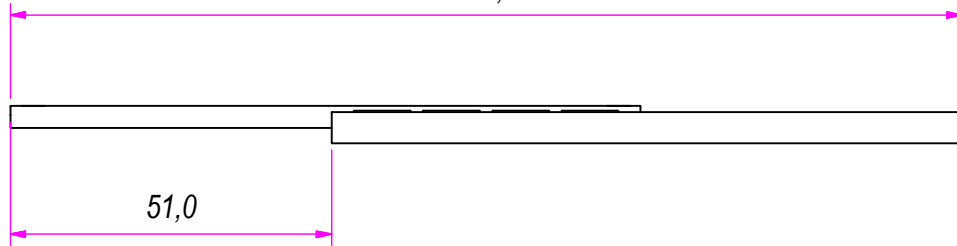
		REVISION HISTORY		
		REV	DESCRIPTION	DATE
Guide per cassetti; guide telescopiche	Coulisses à billes; coulisse télescopique			
Drawer slide; telescopic ball bearing slide	Guías para cajones; guía teleópica	1a		08/01/2018
Kugelführung; Teleskopschienen				

Property of RAM Industrie.  
Without its written authorization the present drawing shall neither be used for construction anyway, communicated to third parties, nor reproduced.



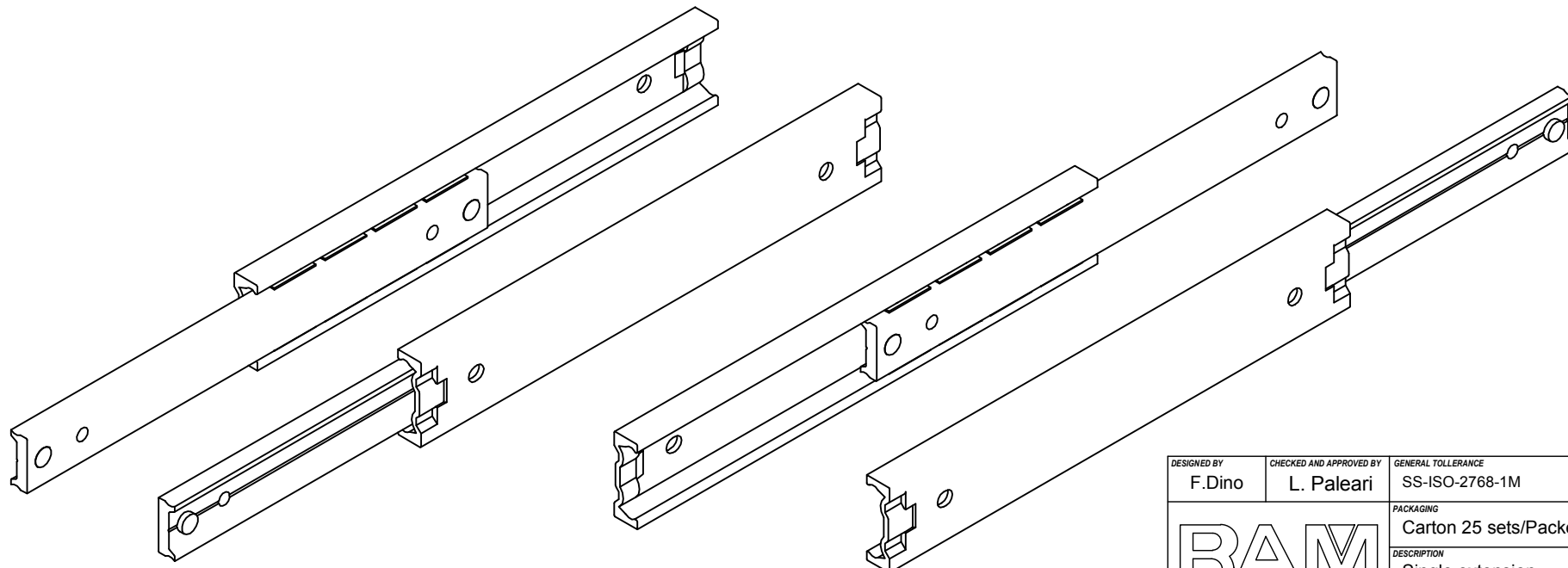
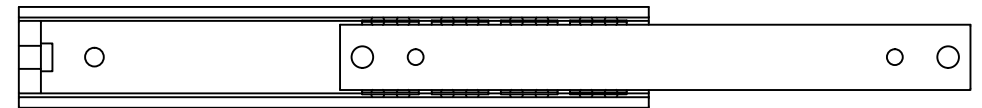
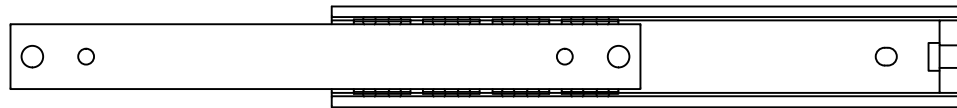
151,0

151,0



51,0

51,0



DESIGNED BY F. Dino	CHECKED AND APPROVED BY L. Paleari	GENERAL TOLLERANCE SS-ISO-2768-1M	DATE 08/01/2018	CODE 16100
PACKAGING Carton 25 sets/Packed R+R			UNIT mm	SHEET 2 of 2
DESCRIPTION Single extension			MATERIAL Aluminum	
DEVICE			PAIR WEIGHT 0,034 Kg	14C

**RAM**  
**INDUSTRIE**

GUIDE per cassetti; guide telescopiche		Coulisses à billes; coulisse télescopique		REVISION HISTORY	
Drawer slide; telescopic ball bearing slide		Guías para cajones; guía teleópica		REV	DESCRIPTION
Kugelführung; Teleskopschienen				DATE	
				1a	08/01/2018

Property of RAM Industrie.  
Without its written authorization the present drawing shall neither be used for construction anyway, communicated to third parties, nor reproduced.