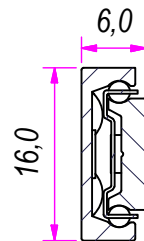
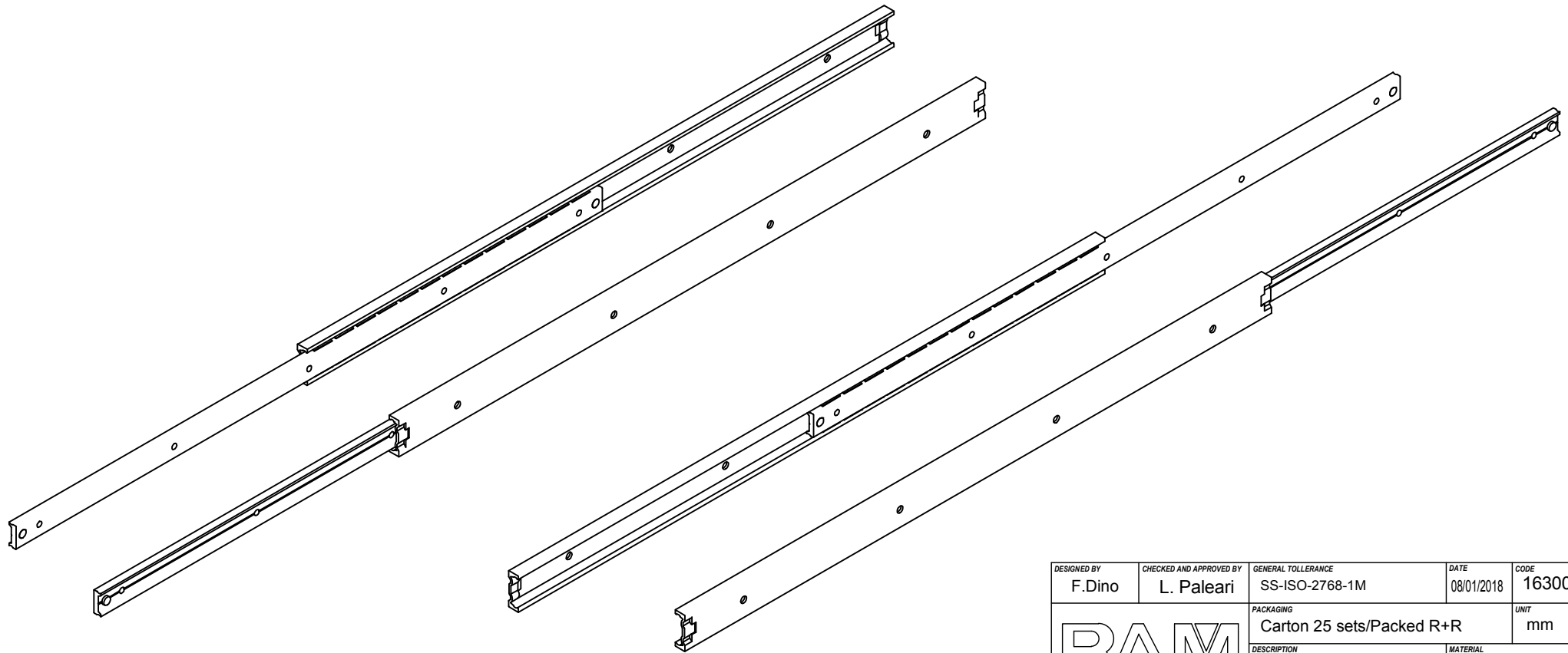
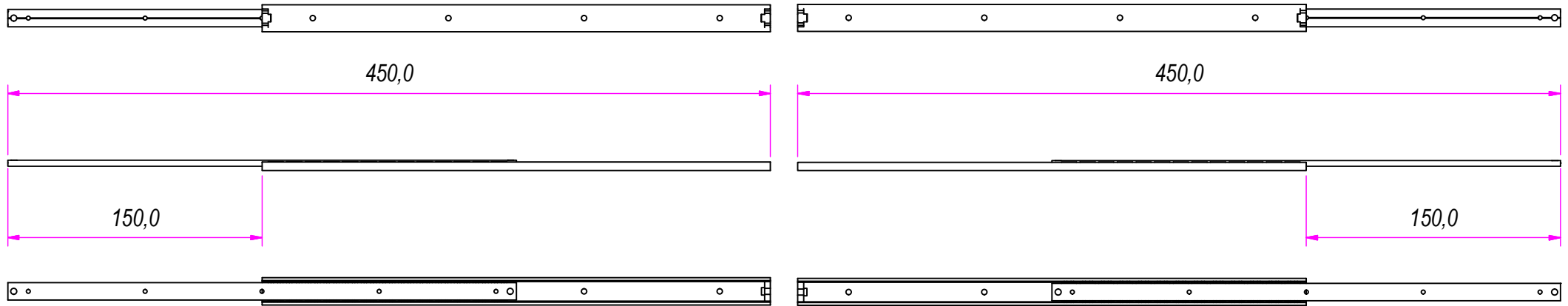


SEZ. A-A



Guide per cassetti; guide telescopiche	Coulisses à billes; coulisse télescopique	REVISION HISTORY	
Drawer slide; telescopic ball bearing slide	Guías para cajones; guía teleópica	REV	DESCRIPTION
Kugelführung; Teleskopschienen		1a	DATE

DESIGNED BY F. Dino	CHECKED AND APPROVED BY L. Paleari	GENERAL TOLLERANCE SS-ISO-2768-1M	DATE 08/01/2018	CODE 16300
		PACKAGING Carton 25 sets/Packed R+R	UNIT mm	SHEET 1 of 2
		DESCRIPTION Single extension	MATERIAL Aluminum	
		Two way travel	PAIR WEIGHT 0,104 Kg	14C
Property of RAM Industrie. Without its written authorization the present drawing shall neither be used for construction anyway, communicated to third parties, nor reproduced.				



Guide per cassetti; guide telescopiche	Coulisses à billes; coulisse télescopique	REVISION HISTORY	
Drawer slide; telescopic ball bearing slide	Guías para cajones; guía teleópica	REV	DESCRIPTION
Kugelführung; Teleskopschienen		1a	DATE

DESIGNED BY F.Dino	CHECKED AND APPROVED BY L. Paleari	GENERAL TOLLERANCE SS-ISO-2768-1M	DATE 08/01/2018	CODE 16300
PACKAGING Carton 25 sets/Packed R+R			UNIT mm	SHEET 2 of 2
DESCRIPTION Single extension			MATERIAL Aluminum	
Two-way travel			PAIR WEIGHT 0,104 Kg	14C
<p style="text-align: center;"><b>RAM</b> <b>INDUSTRIE</b></p> <p style="text-align: center;">Property of RAM Industrie. Without its written authorization the present drawing shall neither be used for construction anyway, communicated to third parties, nor reproduced.</p>				

08/01/2018