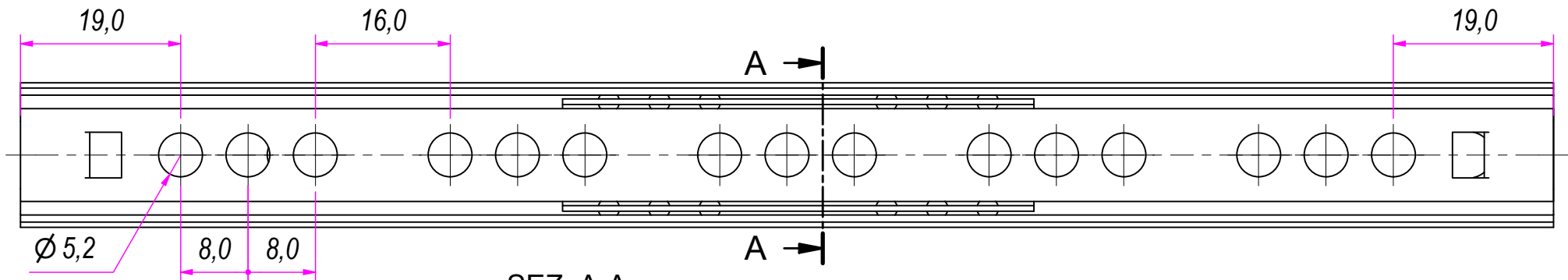
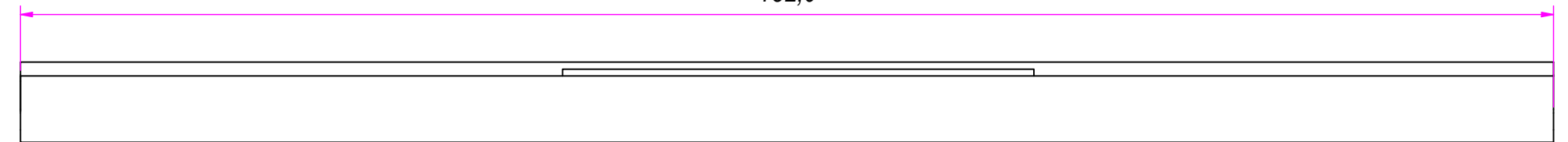
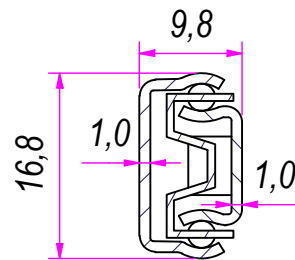


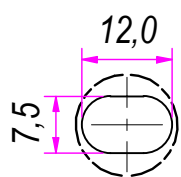
182,0




SEZ. A-A



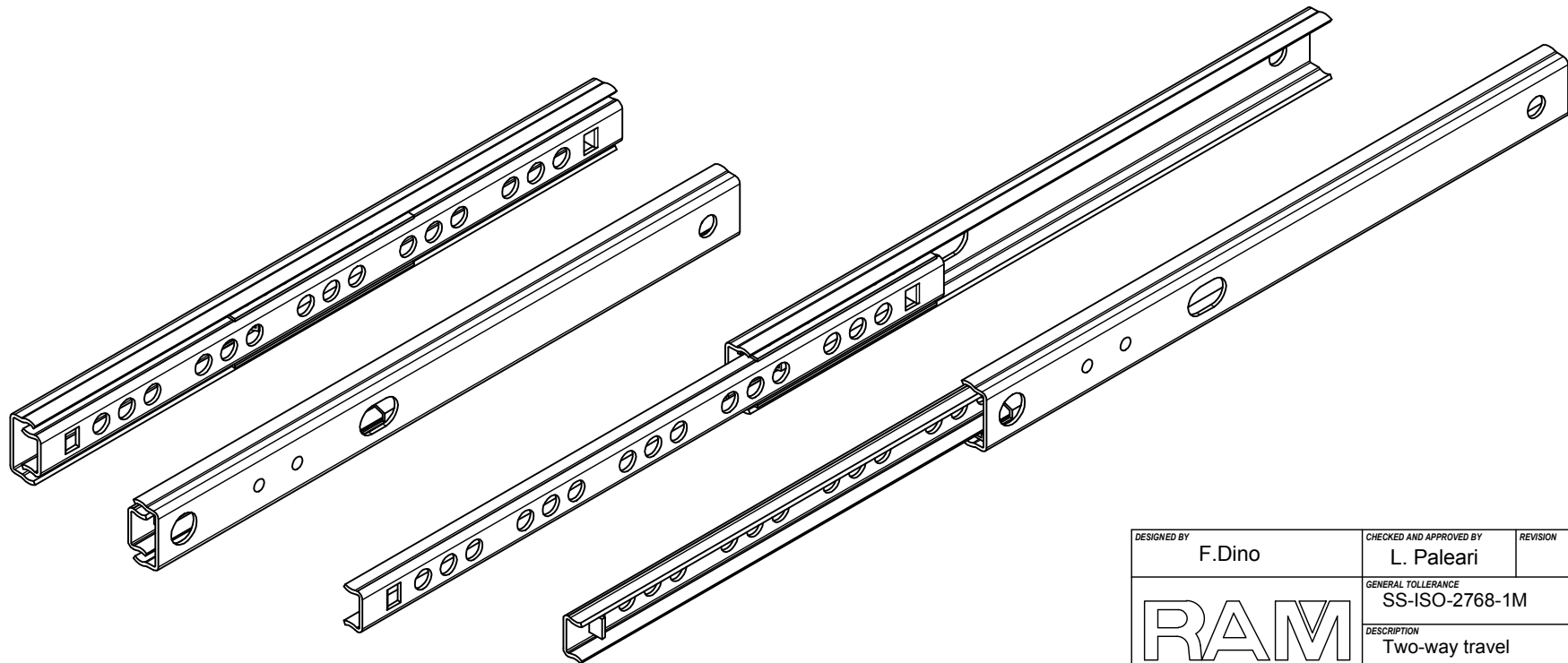
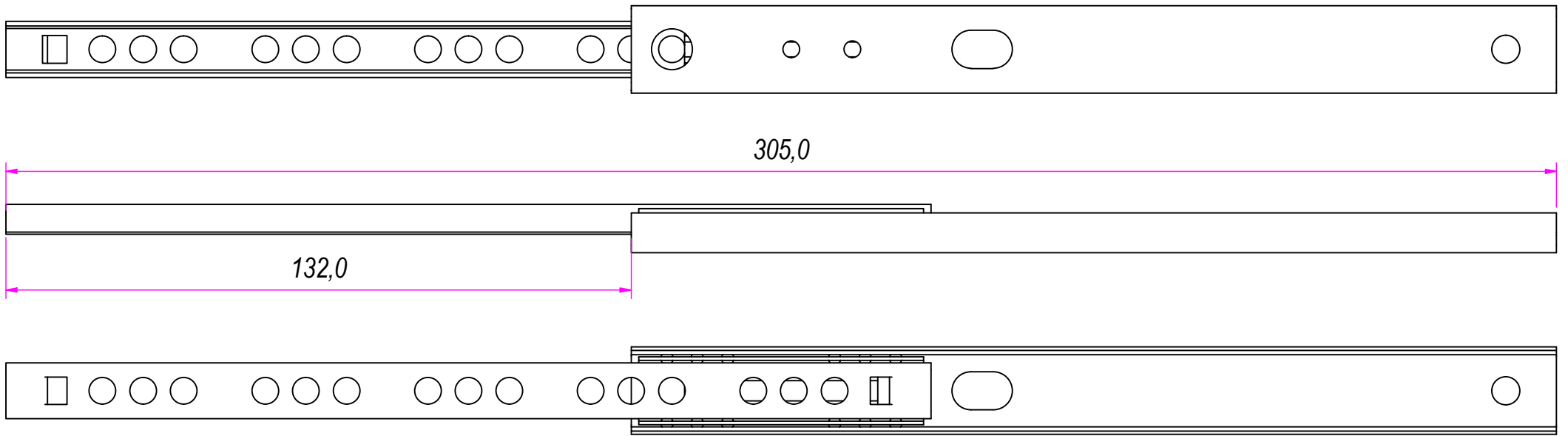
B (1:1)



CRONOLOGIA REVISIONI			
REV	DESCRIPTION	APPROVED BY	DATE
1		F.Dino	27/04/2016

DESIGNED BY F.Dino	CHECKED AND APPROVED BY L. Paleari	REVISION	DATE 27/04/2016	CODE 17182
		GENERAL TOLLERANCE SS-ISO-2768-1M	UNIT mm	SCALE 1 of 2
		DESCRIPTION Two-way travel Single extension	MATERIAL Cold rolled steel PAIR WEIGHT 0,13 Kg 08C	

Property of RAM Industrie.
Without its written authorization the present drawing shall neither be used for construction anyway, communicated to third parties, nor reproduced.



CRONOLOGIA REVISIONI				
ZONA	REV	DESCRIPTION	APPROVED BY	DATE
	1		F.Dino	27/04/2016

DESIGNED BY F.Dino	CHECKED AND APPROVED BY L. Paleari	REVISION	DATE 27/04/2016	CODE 17182
		GENERAL TOLLERANCE SS-ISO-2768-1M	UNIT mm	SCALE SHEET 2 of 2
		DESCRIPTION Two-way travel Single extension	MATERIAL Cold rolled steel	PAIR WEIGHT 0,13 Kg 08C
Property of RAM Industrie. Without its written authorization the present drawing shall neither be used for construction anyway, communicated to third parties, nor reproduced.				