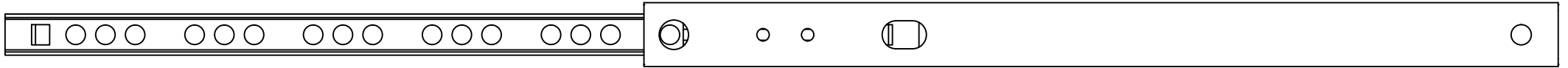
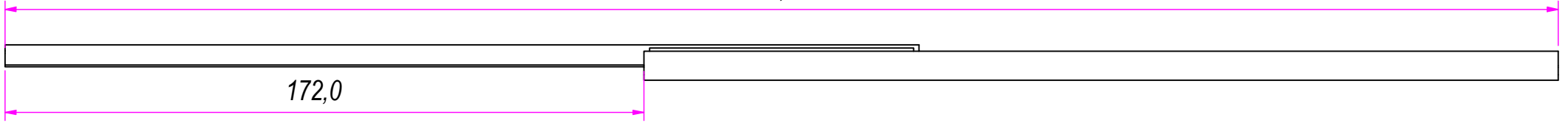


| REVISION HISTORY | | | |
|------------------|---|-------------|------------|
| REV | DESCRIPTION | APPROVED BY | DATA |
| 1 | Modified hole diameter from 5,0 to 5,5 mm (19-16) | F.Dino | 21/10/2019 |

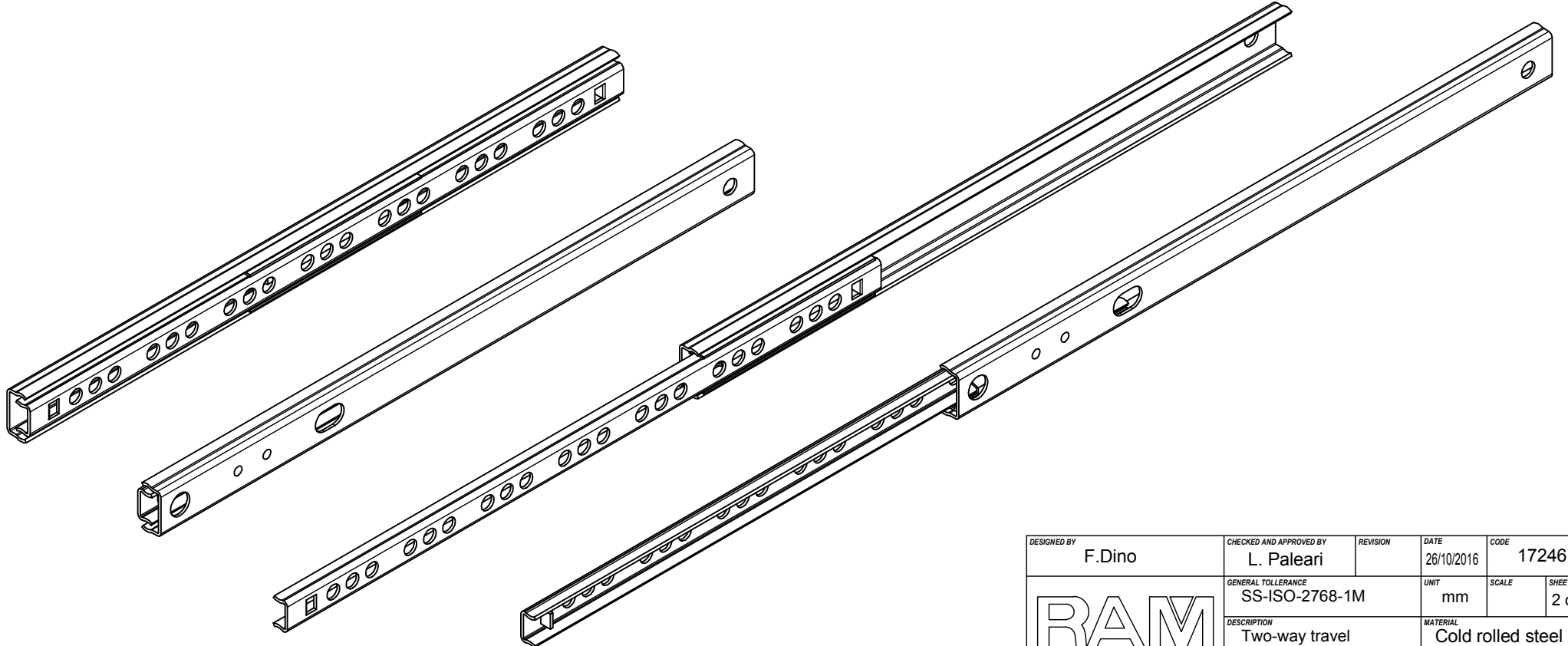
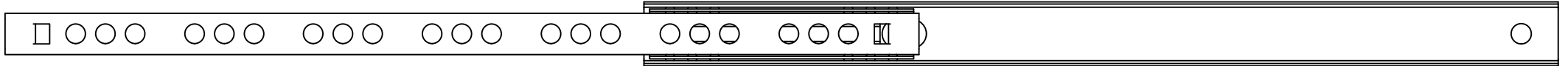
| | | | | |
|---|---------------------------------------|---|---|-----------------|
| DESIGNED BY F.Dino | CHECKED AND APPROVED BY L. Paleari | REVISION | DATE 26/10/2016 | CODE 17246 |
| | | GENERAL TOLLERANCE SS-ISO-2768-1M | UNIT mm | SCALE 1 of 2 |
| | | DESCRIPTION Two-way travel Single extension | MATERIAL Cold rolled steel PAIR WEIGHT 0,174 Kg 08C | |
| Property of RAM Industrie. Without its written authorization the present drawing shall neither be used for construction anyway, communicated to third parties, nor reproduced. | | | | |




418,0



172,0



| REVISION HISTORY | | | |
|------------------|---|-------------|------------|
| REV | DESCRIPTION | APPROVED BY | DATE |
| 1 | Modified hole diameter from 5,0 to 5,5 mm (19-16) | F.Dino | 21/10/2019 |

| | | | | |
|---|---------------------------------------|---|-------------------------------|--------------------------------|
| DESIGNED BY F.Dino | CHECKED AND APPROVED BY L. Paleari | REVISION | DATE 26/10/2016 | CODE 17246 |
|  | | GENERAL TOLLERANCE SS-ISO-2768-1M | UNIT mm | SCALE 2 of 2 |
| | | DESCRIPTION Two-way travel Single extension | MATERIAL Cold rolled steel | PAIR WEIGHT 0,174 Kg 08C |

Property of RAM Industrie.
Without its written authorization the present drawing shall neither be used for construction anyway, communicated to third parties, nor reproduced.