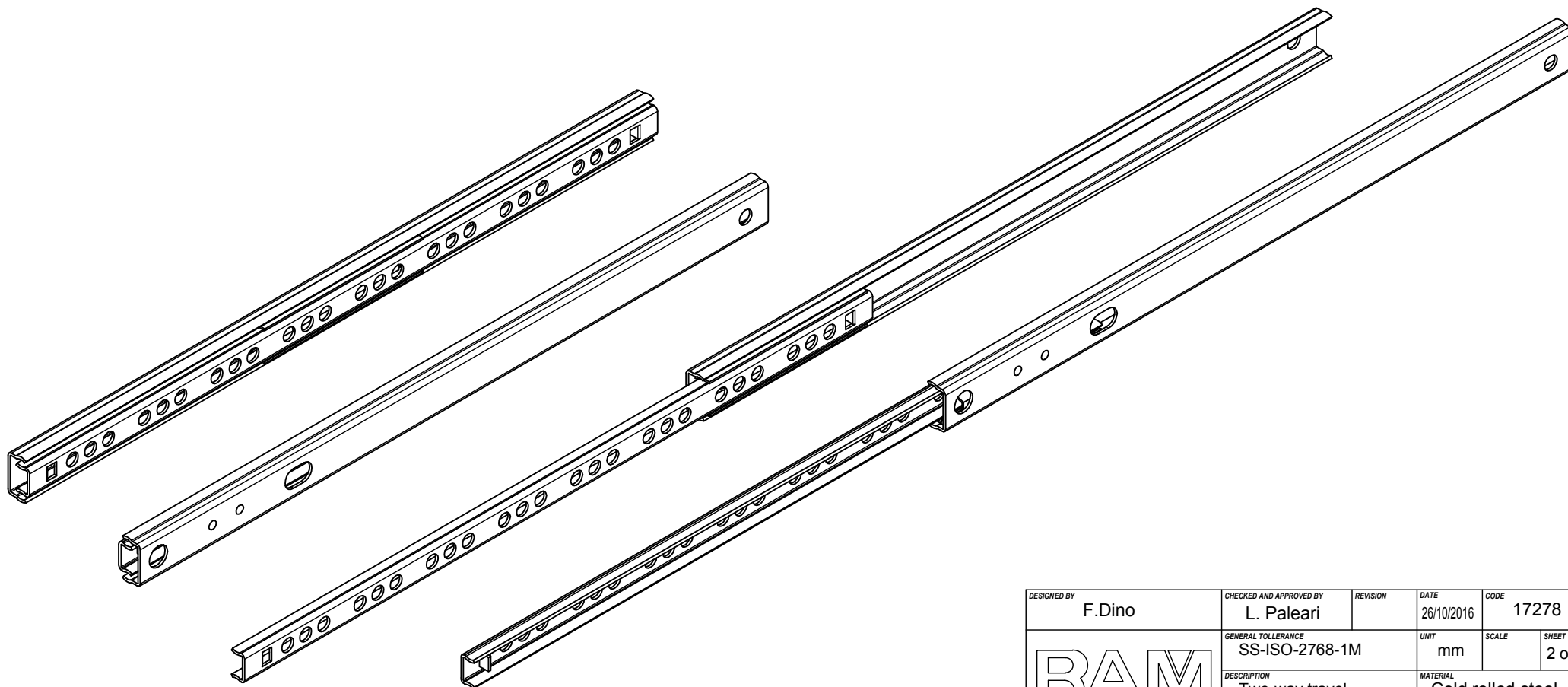
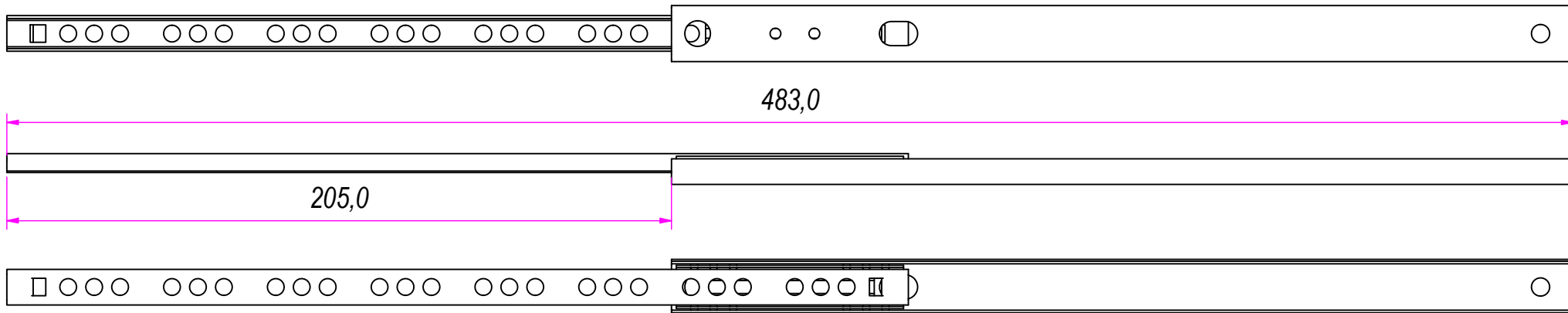



REVISION HISTORY			
REV	DESCRIPTION	APPROVED BY	DATA
1	Modified hole diameter from 5,0 to 5,5 mm (18-31)	F.Dino	06/06/2019

DESIGNED BY F.Dino	CHECKED AND APPROVED BY L. Paleari	REVISION	DATE 26/10/2016	CODE 17278
		GENERAL TOLLERANCE SS-ISO-2768-1M	UNIT mm	SCALE 1 of 2
		DESCRIPTION Two-way travel Single extension	MATERIAL Cold rolled steel	PAIR WEIGHT 0,196 Kg 08C
<small>Property of RAM Industrie. Without its written authorization the present drawing shall neither be used for construction anyway, communicated to third parties, nor reproduced.</small>				



REVISION HISTORY			
REV	DESCRIPTION	APPROVED BY	DATE
1	Modified hole diameter from 5,0 to 5,5 mm (18-31)	F.Dino	06/06/2019

DESIGNED BY F.Dino	CHECKED AND APPROVED BY L. Paleari	REVISION	DATE 26/10/2016	CODE 17278
		GENERAL TOLLERANCE SS-ISO-2768-1M	UNIT mm	SCALE SHEET 2 of 2
		DESCRIPTION Two-way travel Single extension	MATERIAL Cold rolled steel	PAIR WEIGHT 0,196 Kg 08C

Property of RAM Industrie.
Without its written authorization the present drawing shall neither be used for construction anyway, communicated to third parties, nor reproduced.