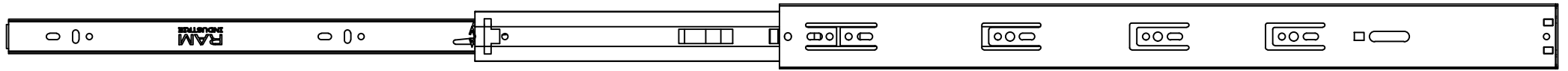
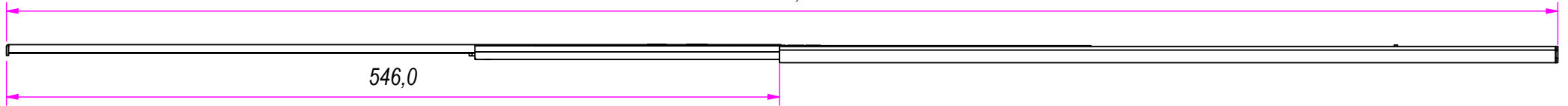


REVISION HISTORY			
REV	DESCRIPTION	APPROVED BY	DATE
1		F.Dino	20/07/2020

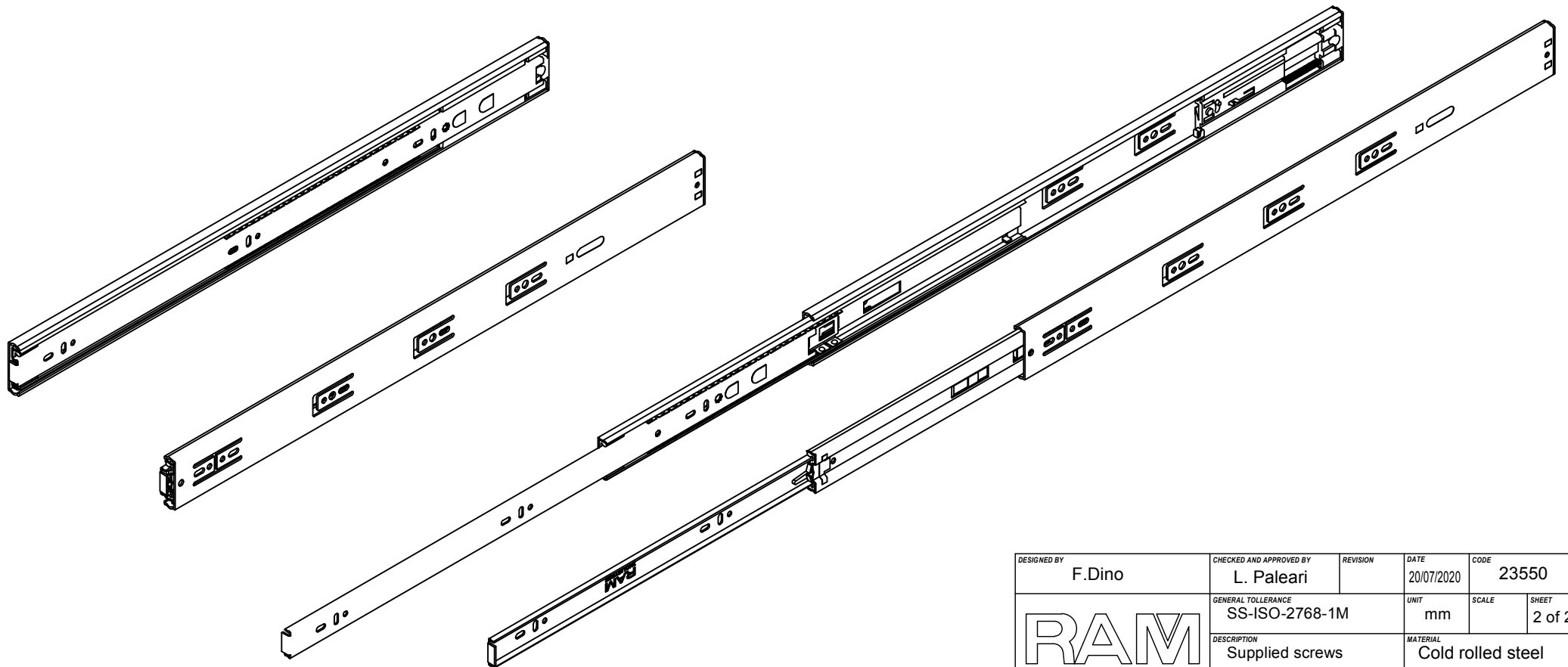
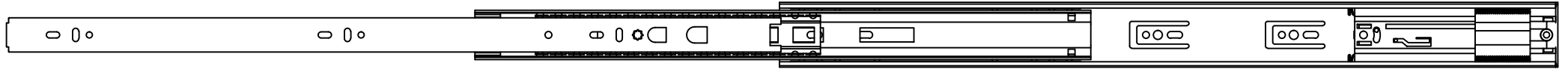
DESIGNED BY F.Dino	CHECKED AND APPROVED BY L. Paleari	REVISION	DATE 20/07/2020	CODE 23550
		GENERAL TOLERANCE SS-ISO-2768-1M	UNIT mm	SCALE 1 of 2
		DESCRIPTION Supplied screws	MATERIAL Cold rolled steel	
DEVICE Push and soft closing		PAIR WEIGHT 1,54 Kg	04C	
<small>Property of RAM Industrie. Without its written authorization the present drawing shall neither be used for construction anyway, communicated to third parties, nor reproduced.</small>				




1096,0



546,0



REVISION HISTORY			
REV	DESCRIPTION	APPROVED BY	DATE
1		F.Dino	20/07/2020

DESIGNED BY F.Dino	CHECKED AND APPROVED BY L. Paleari	REVISION	DATE 20/07/2020	CODE 23550
		GENERAL TOLLERANCE SS-ISO-2768-1M	UNIT mm	SCALE SHEET 2 of 2
		DESCRIPTION Supplied screws	MATERIAL Cold rolled steel	
DEVICE Push and soft closing		PAIR WEIGHT 1,54 Kg	04C	

Property of RAM Industrie.
Without its written authorization the present drawing shall neither be used for construction anyway, communicated to third parties, nor reproduced.