
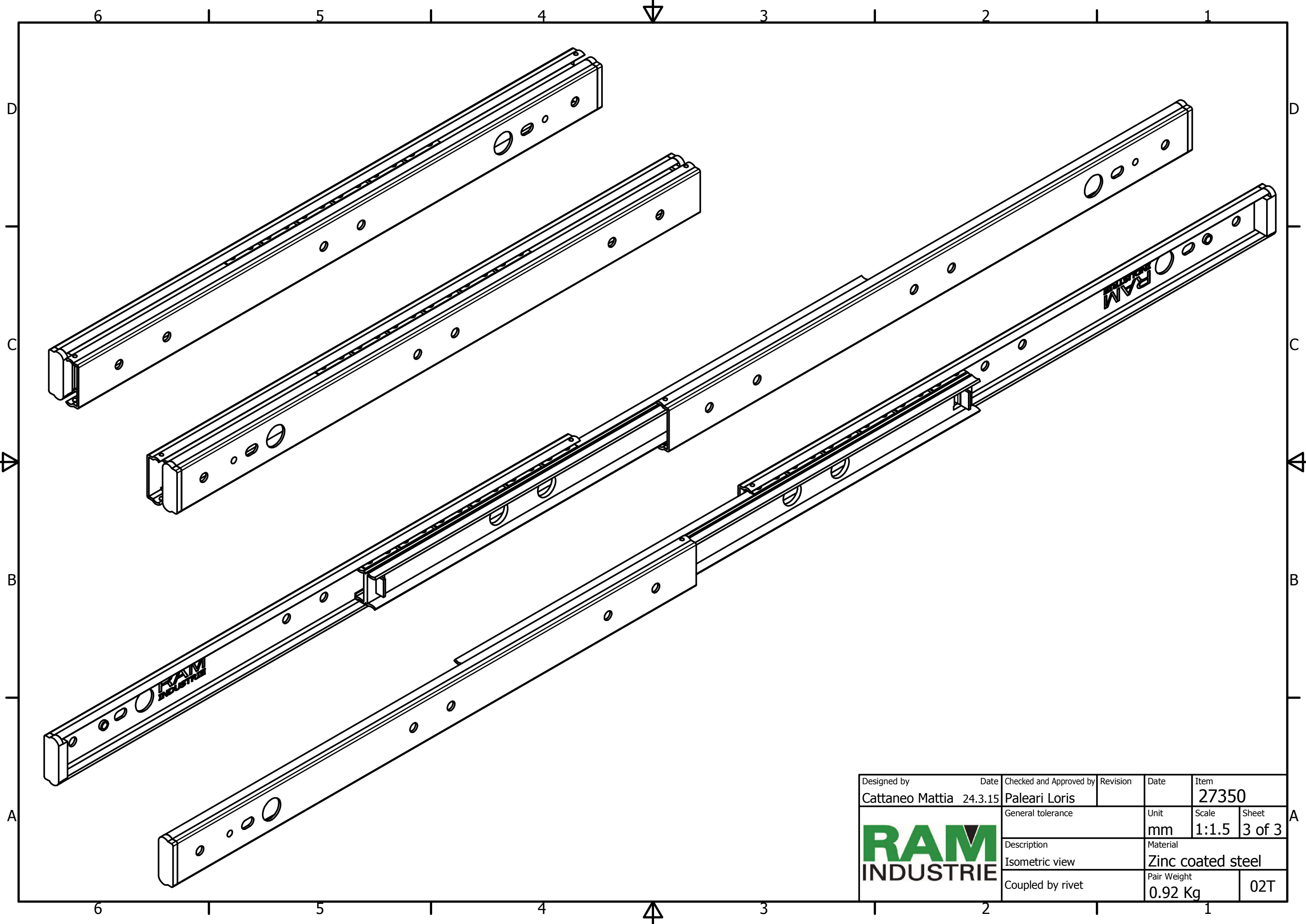



Designed by Cattaneo Mattia	Date 24.3.15	Checked and Approved by Paleari Loris	Revision	Date	Item 27350
	General tolerance SS-ISO-2768-1 VERY COARSE		Unit mm	Scale 1:2	Sheet 2 of 3
	Description Open ball bearings slide		Material Zinc coated steel		
	Coupled by rivet		Pair Weight 0.92 Kg	02T	



Designed by Cattaneo Mattia	Date 24.3.15	Checked and Approved by Paleari Loris	Revision	Date	Item 27350
			General tolerance		Unit mm
			Description Isometric view		Scale 1:1.5
Coupled by rivet			Material Zinc coated steel		Sheet 3 of 3
				Pair Weight 0.92 Kg	
				02T	