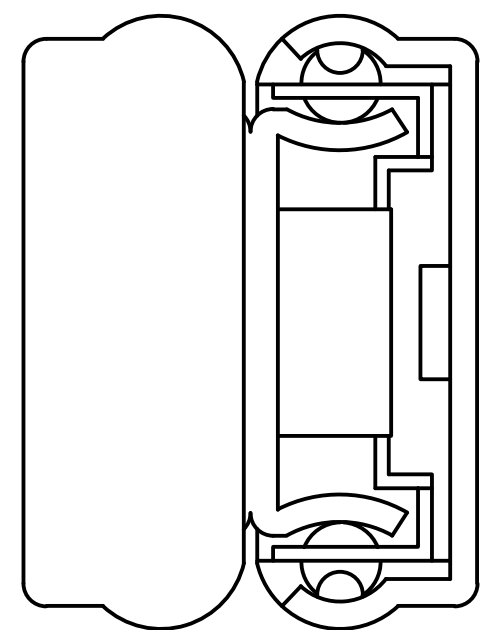
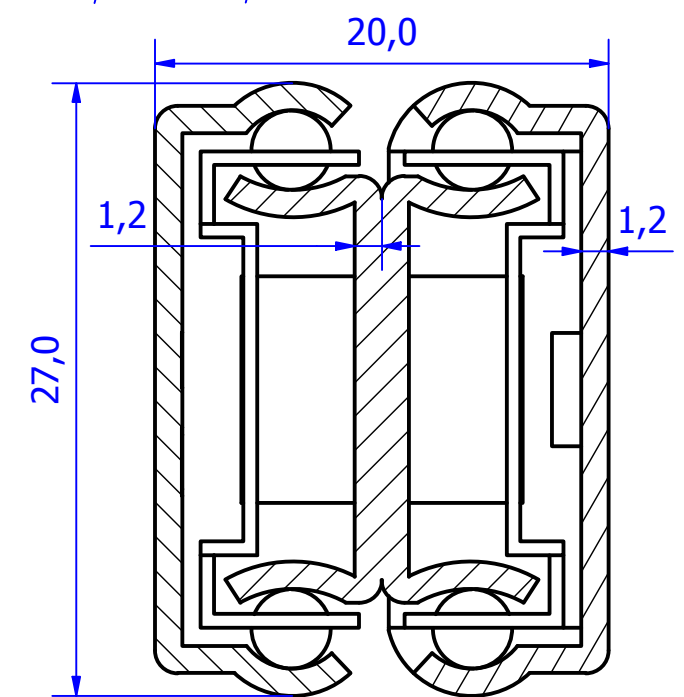


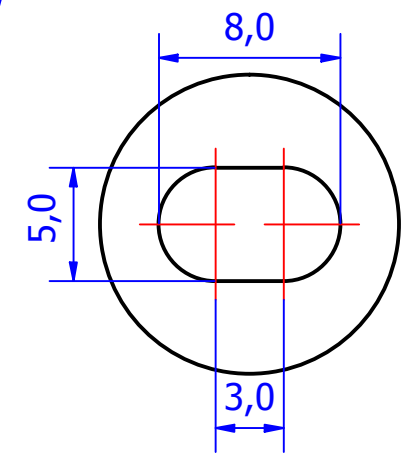
A ( 3 : 1 )




B ( 3 : 1 )

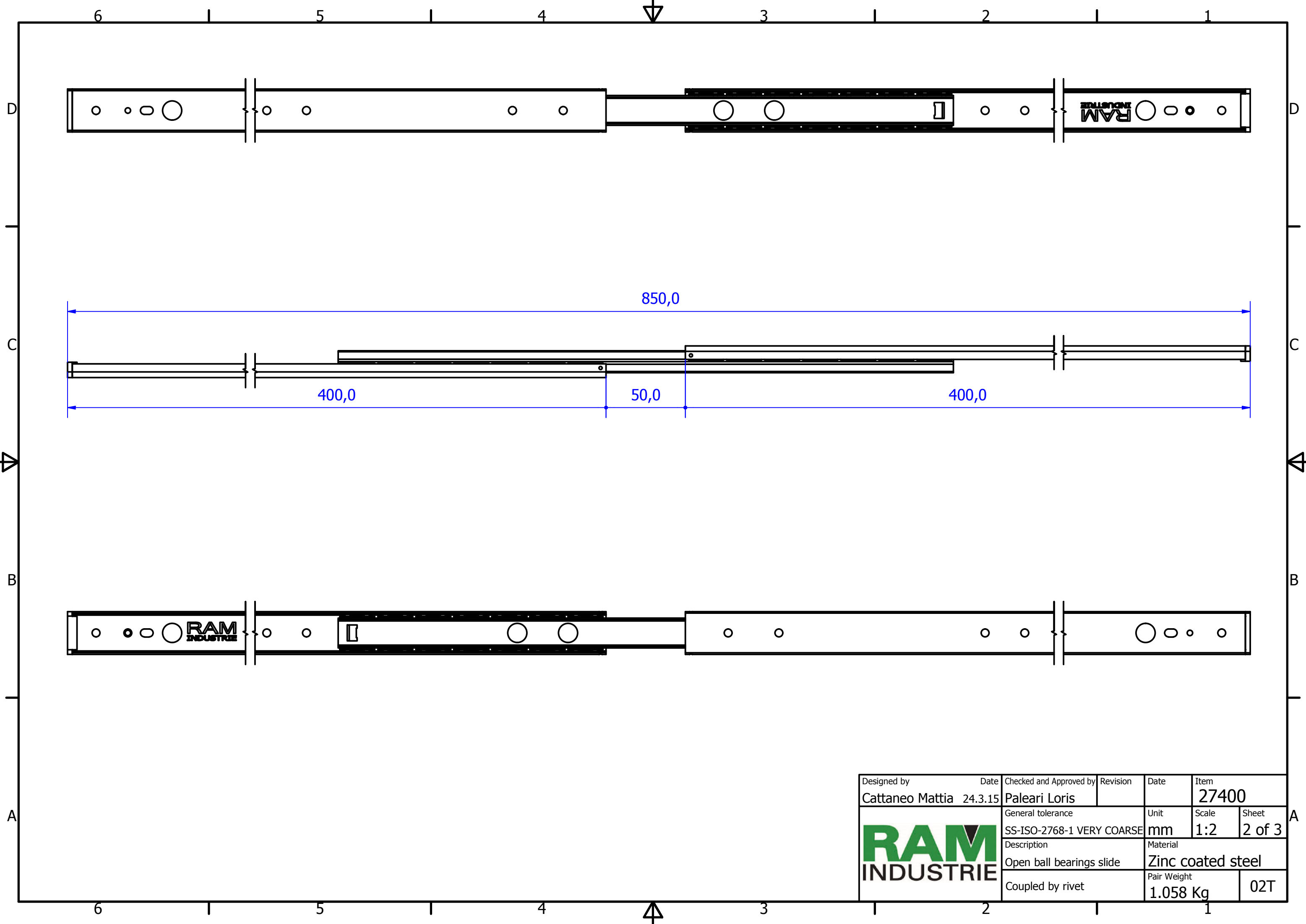


C-C ( 3 : 1 )



D ( 3 : 1 )

Designed by Cattaneo Mattia	Date 24.3.15	Checked and Approved by Paleari Loris	Revision	Date	Item 27400
		General tolerance SS-ISO-2768-1 MEDIUM	Unit mm	Scale 1:1.25	Sheet 1 of 3
		Description Closed ball bearings slide	Material Zinc coated steel		
		Coupled by rivet	Pair Weight 1.058 Kg	02T	



6 1 5 1 4 3 1 2 1 1


D D

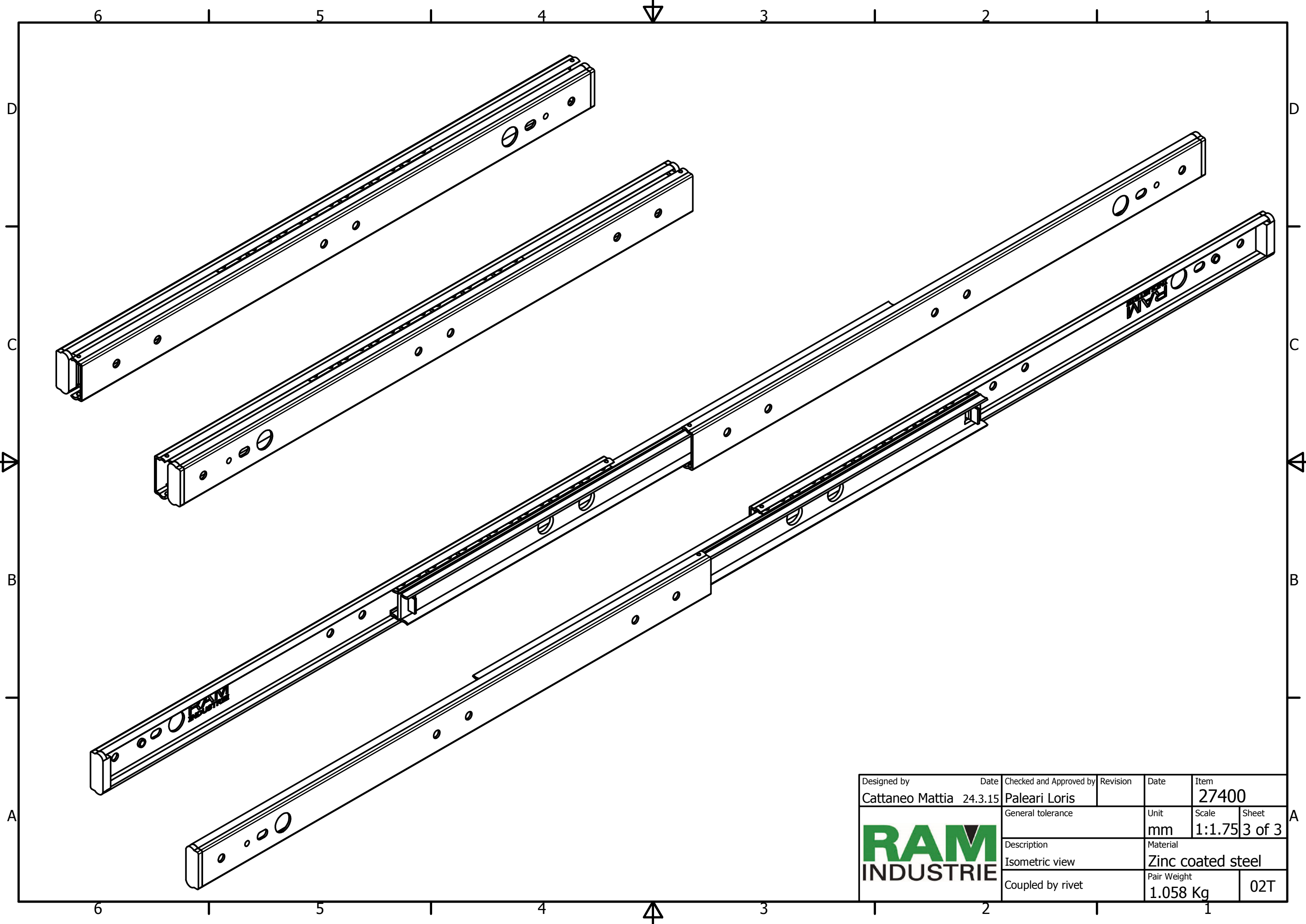
C C


B B

A A

6 1 5 1 4 3 1 2 1 1

Designed by Cattaneo Mattia	Date 24.3.15	Checked and Approved by Paleari Loris	Revision	Date	Item 27400
	General tolerance SS-ISO-2768-1 VERY COARSE		Unit mm	Scale 1:2	Sheet 2 of 3
	Description Open ball bearings slide		Material Zinc coated steel		
	Coupled by rivet		Pair Weight 1.058 Kg	02T	



Designed by Cattaneo Mattia	Date 24.3.15	Checked and Approved by Paleari Loris	Revision	Date	Item 27400
			General tolerance		Unit mm
			Description Isometric view		Scale 1:1.75
Coupled by rivet			Material Zinc coated steel		Pair Weight 1.058 Kg
					02T