

6 5 4 3 2 1

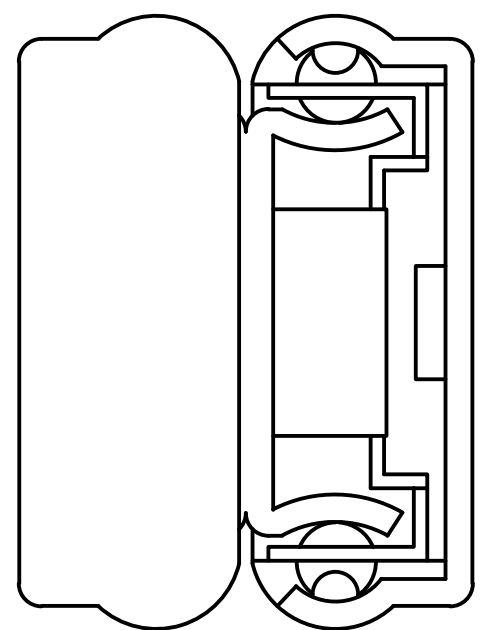
18,0 20,0 12,0 161,0 25,0 155,0 32,0 27,0

Ø5,0 M4 D Ø12,0 Ø5,0 Ø5,0 Ø5,0 Ø5,0

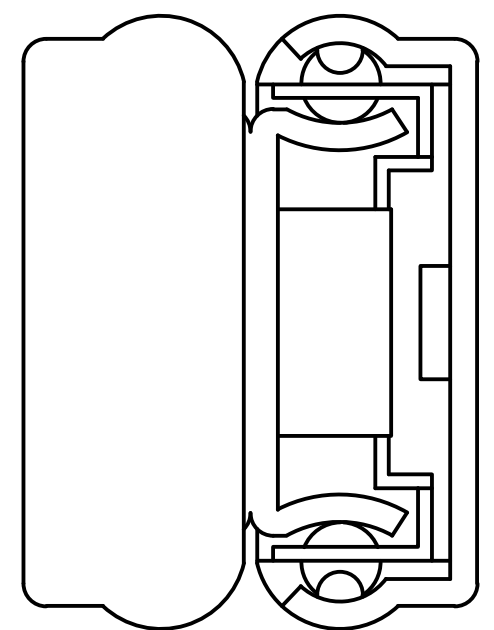
450,0 2 retainers with 16 ball bearings pairs

27,0 32,0 155,0 25,0 161,0 12,0 20,0 18,0

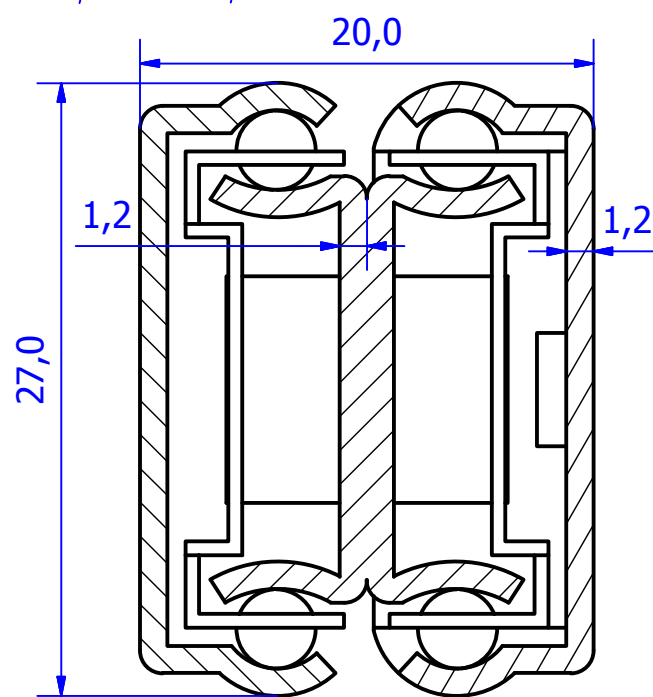
Ø5,0 Ø5,0 Ø5,0 Ø5,0 Ø12,0 M4 Ø5,0



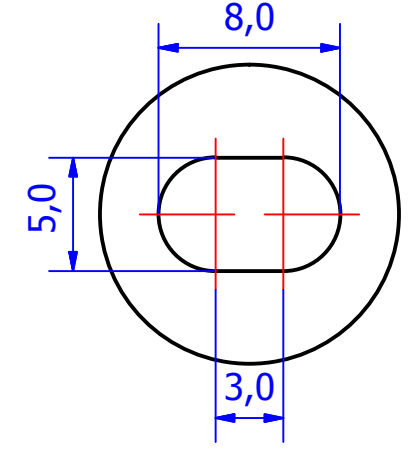
A (3 : 1)




B (3 : 1)



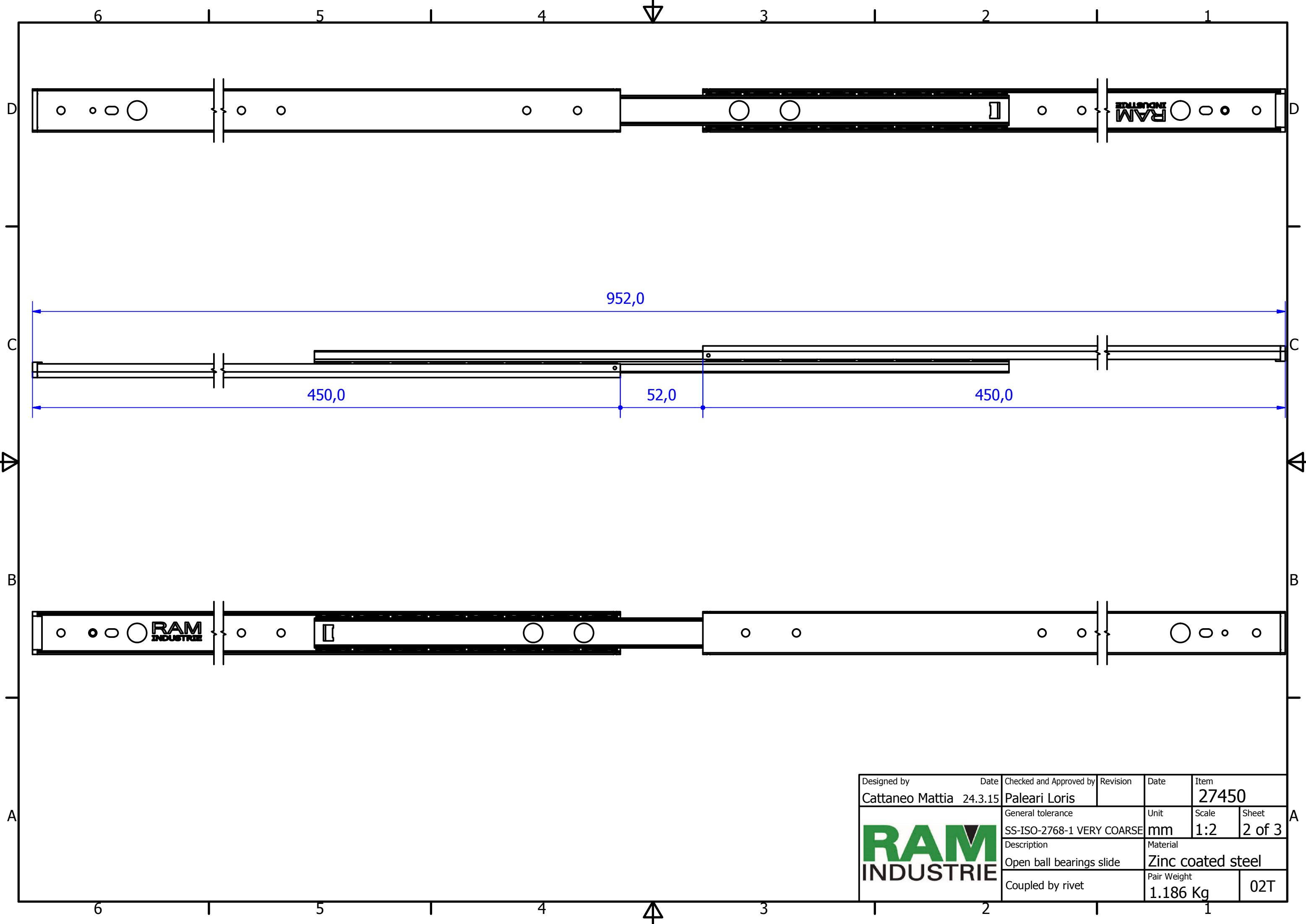
C-C (3 : 1)




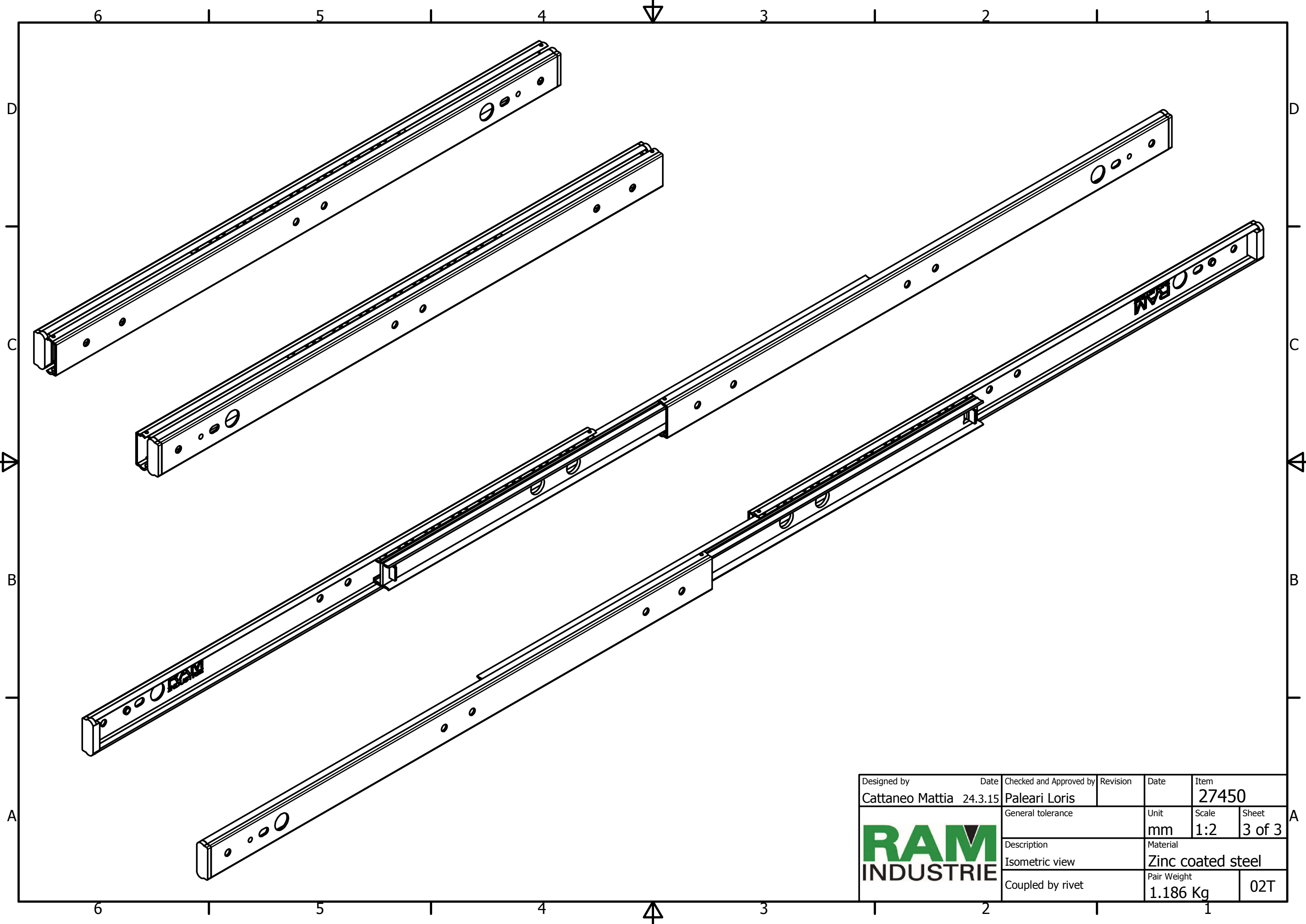
D (3 : 1)


Designed by Cattaneo Mattia	Date 24.3.15	Checked and Approved by Paleari Loris	Revision	Date	Item 27450
			General tolerance SS-ISO-2768-1 MEDIUM	Unit mm	Scale 1:1.25
			Description Closed ball bearings slide	Material Zinc coated steel	Sheet 1 of 3
Coupled by rivet				Pair Weight 1.186 Kg	02T

6 5 4 3 2 1



Designed by	Date	Checked and Approved by	Revision	Date	Item
Cattaneo Mattia	24.3.15	Paleari Loris			27450
	General tolerance		Unit	Scale	Sheet
	SS-ISO-2768-1 VERY COARSE		mm	1:2	2 of 3
	Description		Material		
Open ball bearings slide		Zinc coated steel			
Coupled by rivet		Pair Weight		02T	
		1.186 Kg			



Designed by Cattaneo Mattia	Date 24.3.15	Checked and Approved by Paleari Loris	Revision	Date	Item 27450
			General tolerance		Unit mm
			Description Isometric view		Scale 1:2
Coupled by rivet			Material Zinc coated steel		Pair Weight 1.186 Kg
					02T