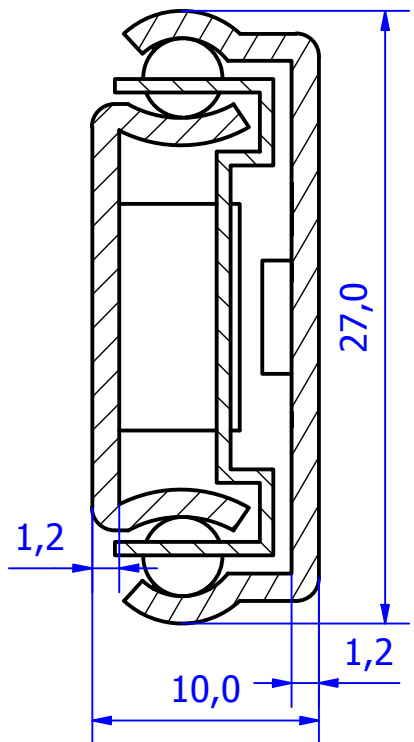
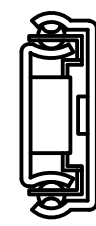


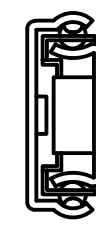
D (2 : 1)



C-C (3 : 1)

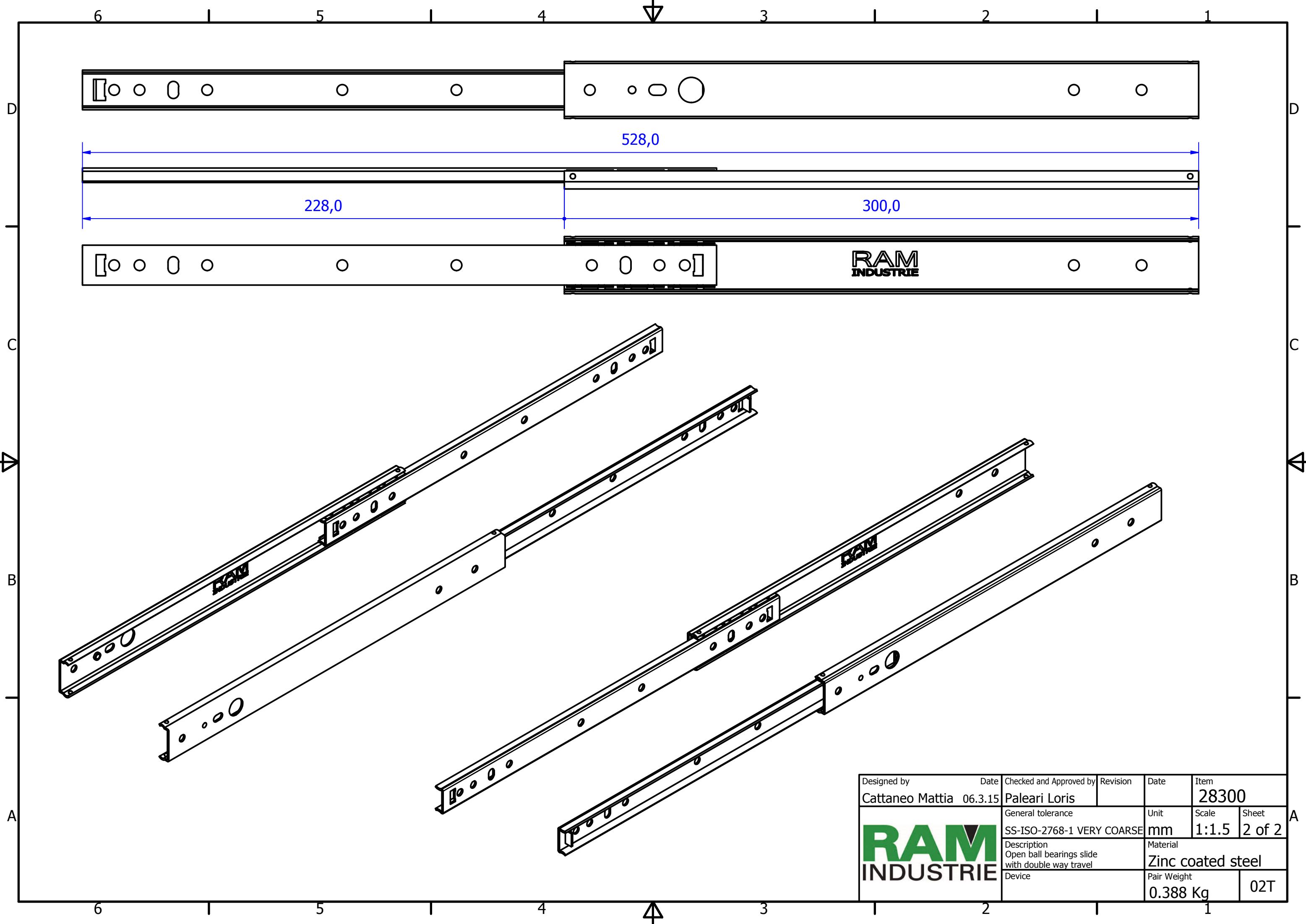


B (1 : 1)



A (1 : 1)

Designed by Cattaneo Mattia	Date 06.3.15	Checked and Approved by Paleari Loris	Revision	Date	Item 28300
		General tolerance SS-ISO-2768-1 MEDIUM		Unit mm	Scale 1:1
		Description Closed ball bearings slide with double way travel		Material Zinc coated steel	
		Device		Pair Weight 0.388 Kg	02T



Designed by	Date	Checked and Approved by	Revision	Date	Item
Cattaneo Mattia	06.3.15	Paleari Loris			28300
General tolerance			Unit	Scale	Sheet
SS-ISO-2768-1 VERY COARSE			mm	1:1.5	2 of 2
Description			Material		
Open ball bearings slide with double way travel			Zinc coated steel		
Device			Pair Weight	02T	
			0.388 Kg		

