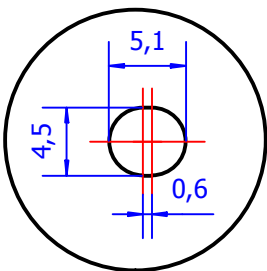
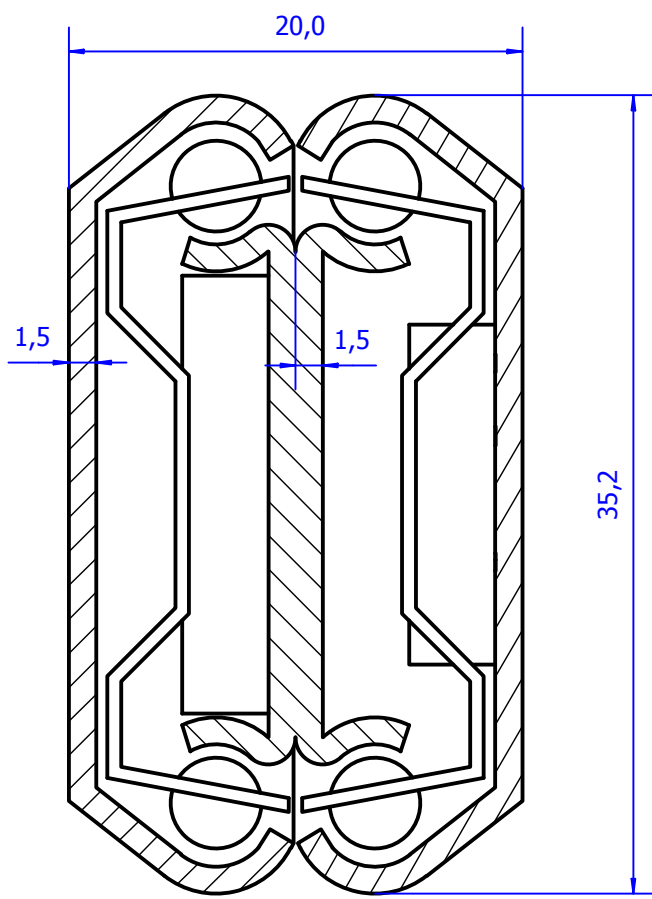


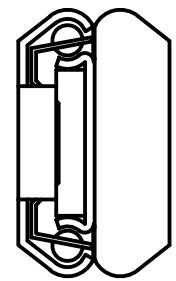
D (2 : 1)



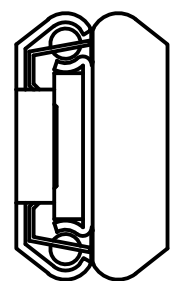
C-C (3 : 1)




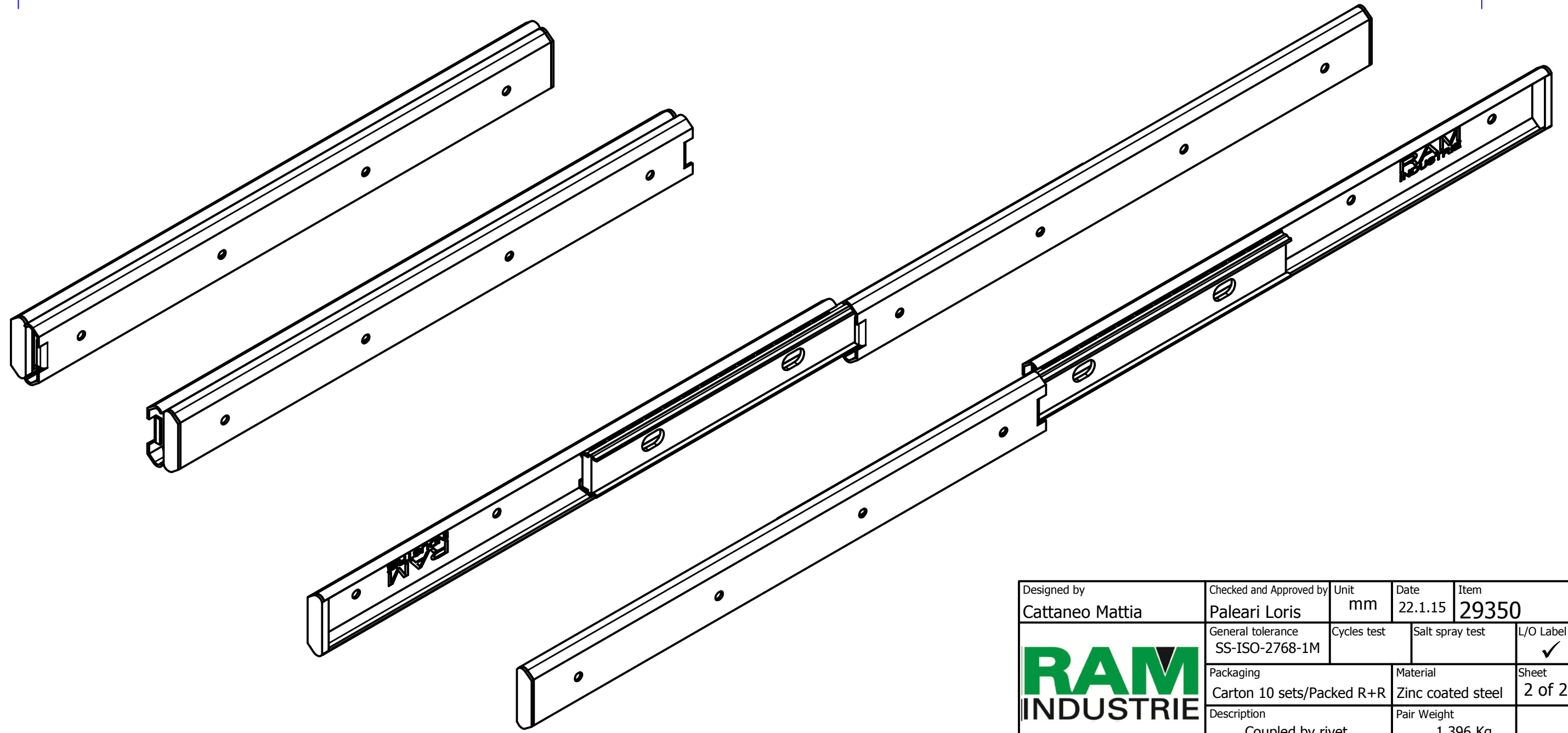
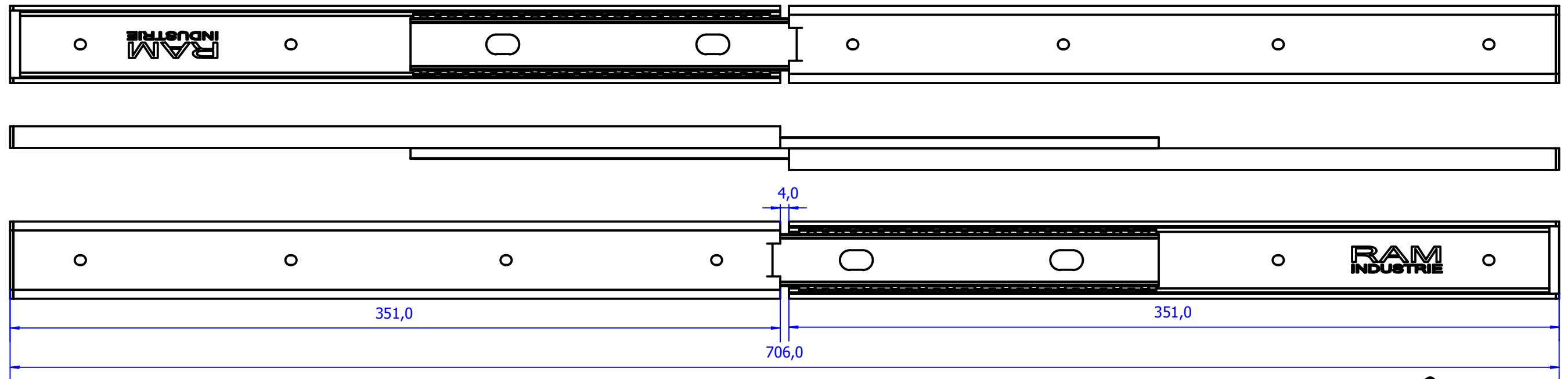
A (1 : 1)




B (1 : 1)



Designed by Cattaneo Mattia	Checked and Approved by Paleari Loris	Unit mm	Date 22.1.15	Item 29350
	General tolerance SS-ISO-2768-1M	Cycles test	Salt spray test	L/O Label ✓
	Packaging Carton 10 sets/Packed R+R	Material Zinc coated steel		Sheet 1 of 2
	Description Coupled by rivet	Pair Weight 1.396 Kg		



Designed by Cattaneo Mattia	Checked and Approved by Paleari Loris	Unit mm	Date 22.1.15	Item 29350
	General tolerance SS-ISO-2768-1M	Cycles test	Salt spray test	L/O Label ✓
	Packaging Carton 10 sets/Packed R+R	Material Zinc coated steel	Sheet 2 of 2	
	Description Coupled by rivet	Pair Weight 1.396 Kg		