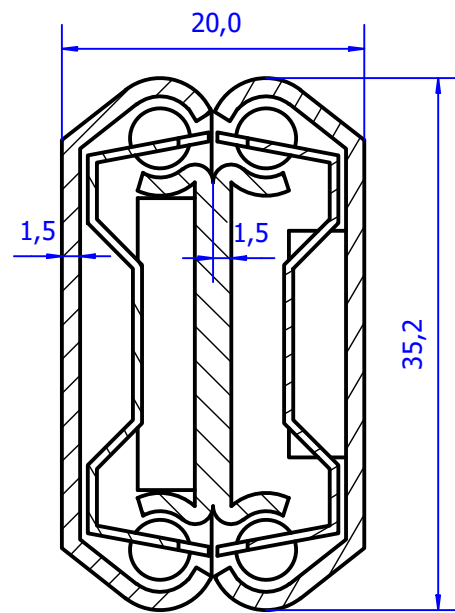
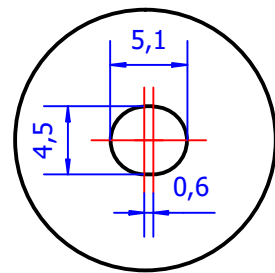



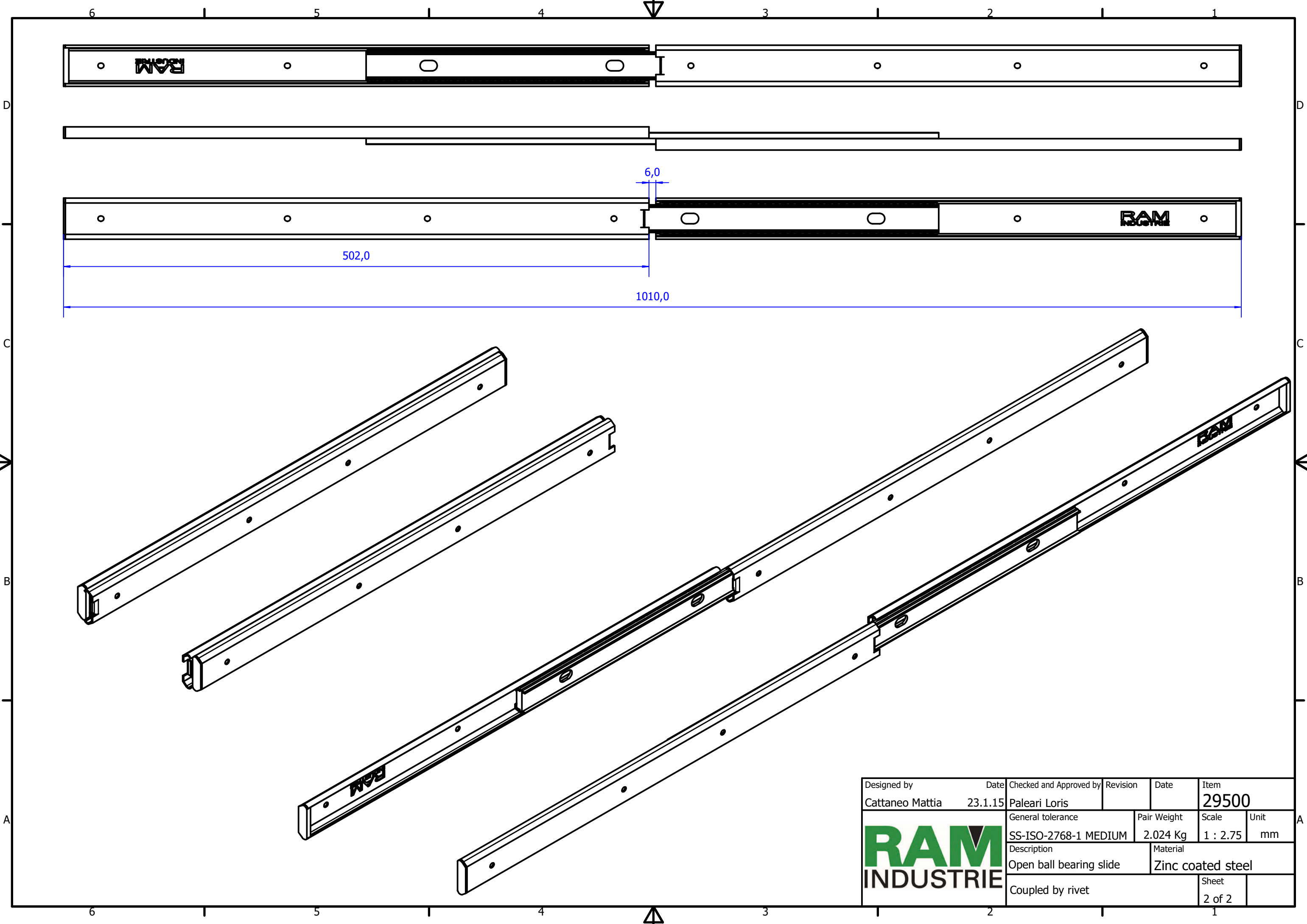
A-A (2 : 1)



B (2 : 1)



Designed by	Date	Checked and Approved by	Revision	Date	Item
Cattaneo Mattia	23.1.15	Paleari Loris			29500
	General tolerance		Pair Weight	Scale	Unit
	SS-ISO-2768-1 MEDIUM		2.024 Kg	1 : 1.5	mm
	Description		Material		
Closed ball bearing slide		Zinc coated steel			
Coupled by rivet				Sheet	
				1 of 2	



Designed by	Date	Checked and Approved by	Revision	Date	Item
Cattaneo Mattia	23.1.15	Paleari Loris			29500
General tolerance			Pair Weight	Scale	Unit
SS-ISO-2768-1 MEDIUM			2.024 Kg	1 : 2.75	mm
Description			Material		
Open ball bearing slide			Zinc coated steel		
Coupled by rivet				Sheet	
				2 of 2	

