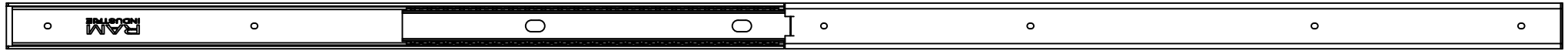


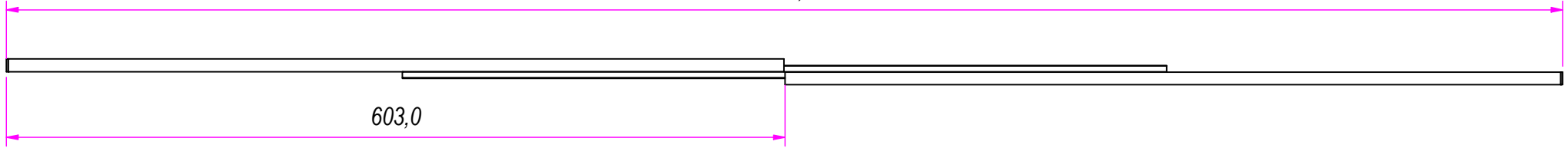
DESIGNED BY F. Dino	CHECKED AND APPROVED BY L. Paleari	GENERAL TOLERANCE SS-ISO-2768-1M	DATE 13/07/2018	CODE 29600
		PACKAGING Carton 10 sets/Packed R+R	UNIT mm	SHEET 1 of 2
		DESCRIPTION		MATERIAL Cold rolled steel
		DEVICE	PAIR WEIGHT 2,454 Kg	02C

		REVISION HISTORY	
		REV	DESCRIPTION
Guide per cassetti; guide telescopiche	Coulisses à billes; coulisse télescopique		
Drawer slide; telescopic ball bearing slide	Guías para cajones; guía teleópica		
Kugelführung; Teleskopschienen		1a	
			DATE 13/07/2018

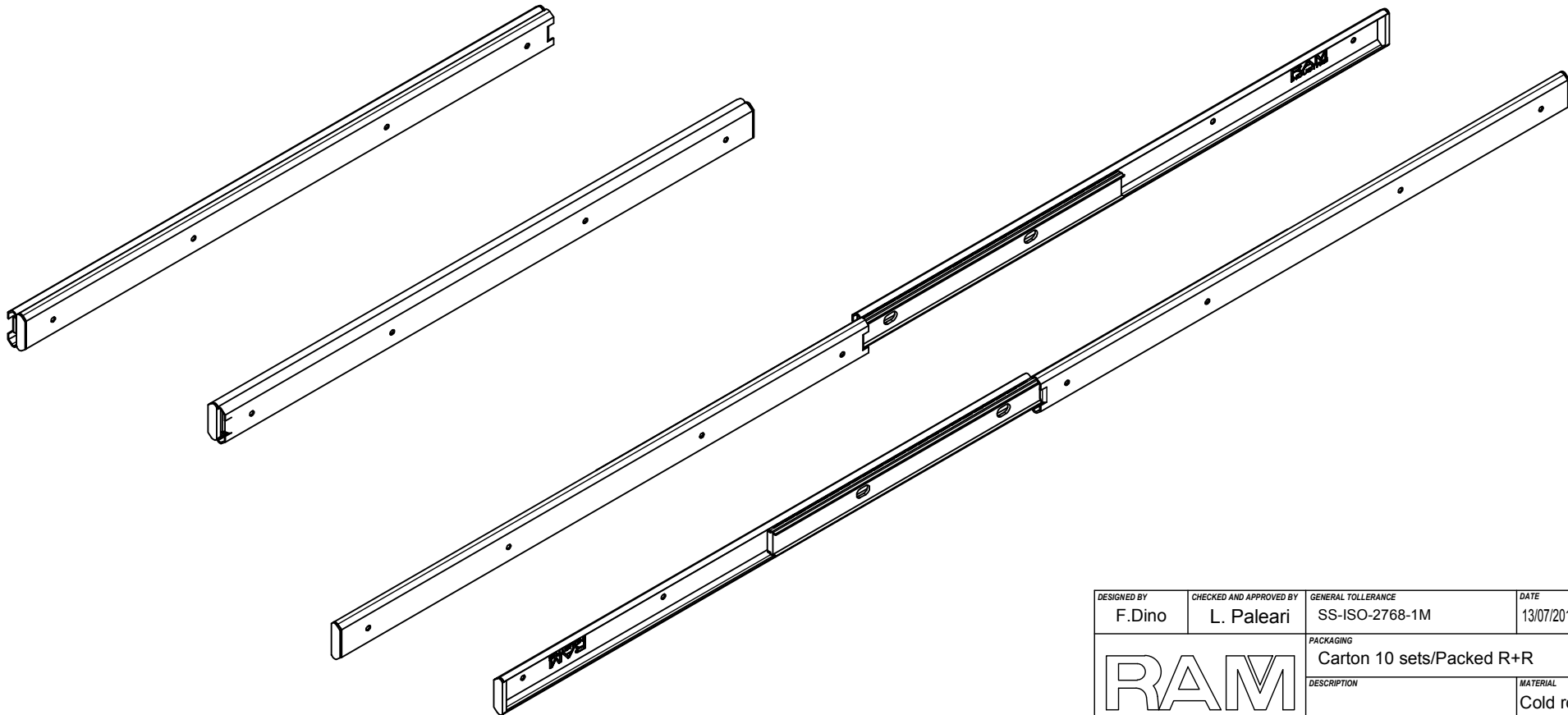
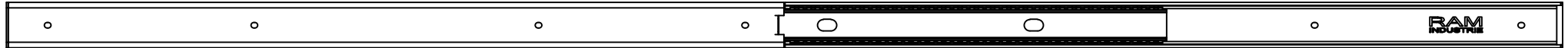
Property of RAM Industrie.
Without its written authorization the present drawing shall neither be used for construction anyway, communicated to third parties, nor reproduced.



1205,0




603,0



Guide per cassetti; guide telescopiche	Coulisses à billes; coulisse télescopique
Drawer slide; telescopic ball bearing slide	Guías para cajones; guía teleópica
Kugelführung; Teleskopschienen	

REVISION HISTORY	
REV	DESCRIPTION
1a	

DESIGNED BY F. Dino	CHECKED AND APPROVED BY L. Paleari	GENERAL TOLLERANCE SS-ISO-2768-1M	DATE 13/07/2018	CODE 29600
		PACKAGING Carton 10 sets/Packed R+R	UNIT mm	SHEET 2 of 2
		DESCRIPTION		MATERIAL Cold rolled steel
		DEVICE		PAIR WEIGHT 2,454 Kg
Property of RAM Industrie. Without its written authorization the present drawing shall neither be used for construction anyway, communicated to third parties, nor reproduced.				