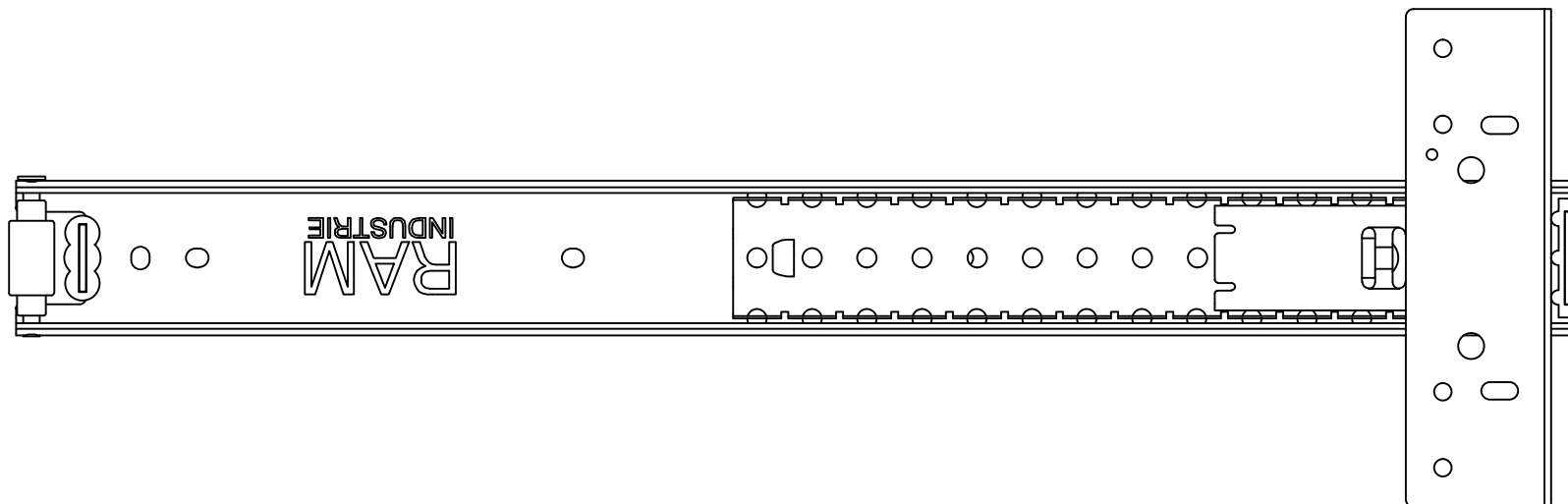
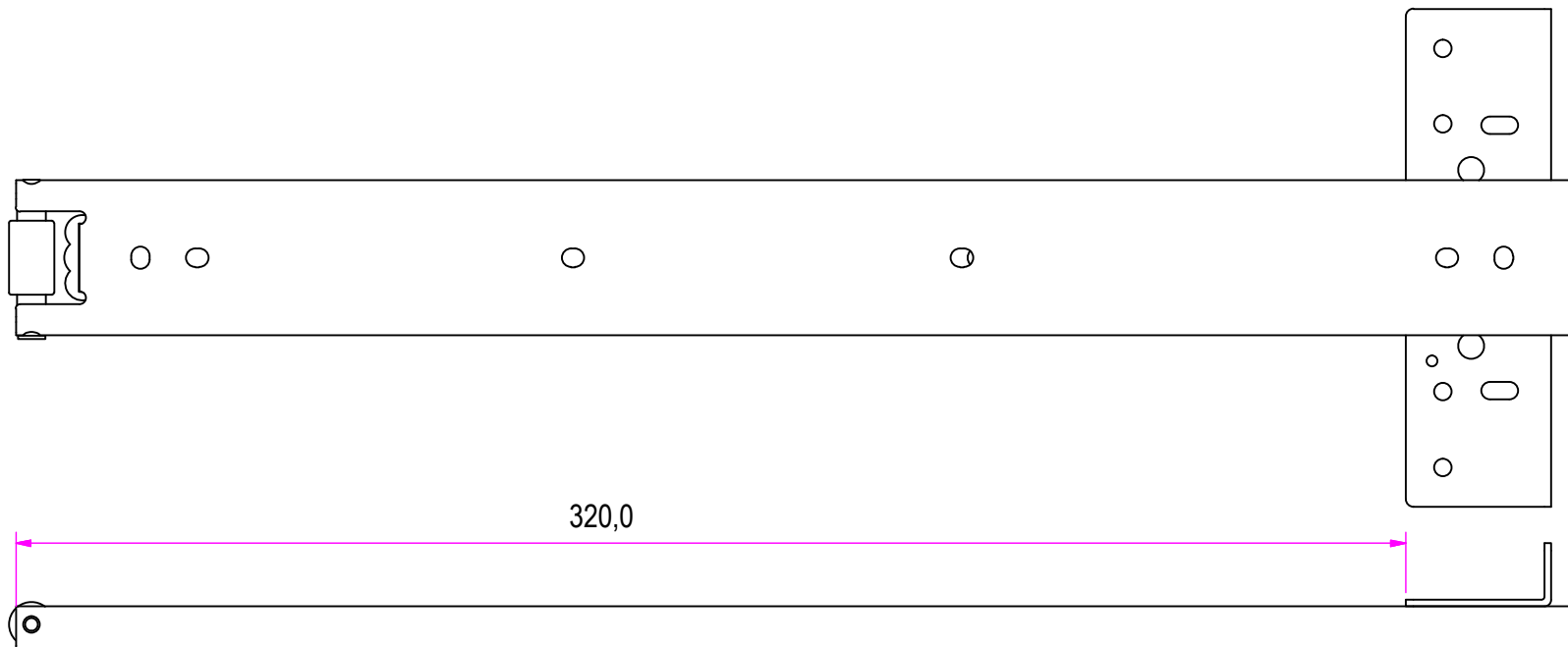


REVISION HISTORY			
REV	DESCRIPTION	APPROVED BY	DATE
1		F.Dino	28/04/2017


DESIGNED BY F.Dino	CHECKED AND APPROVED BY L. Paleari	DATE 28/04/2017	CODE 30350
GENERAL TOLLERANCE SS-ISO-2768-1M		UNIT mm	SCALE 1 of 3
DESCRIPTION For horizontal drop-front doors		MATERIAL Cold rolled steel	
DEVICE		PAIR WEIGHT 0,634 Kg	02C

**RAM**  
INDUSTRIE

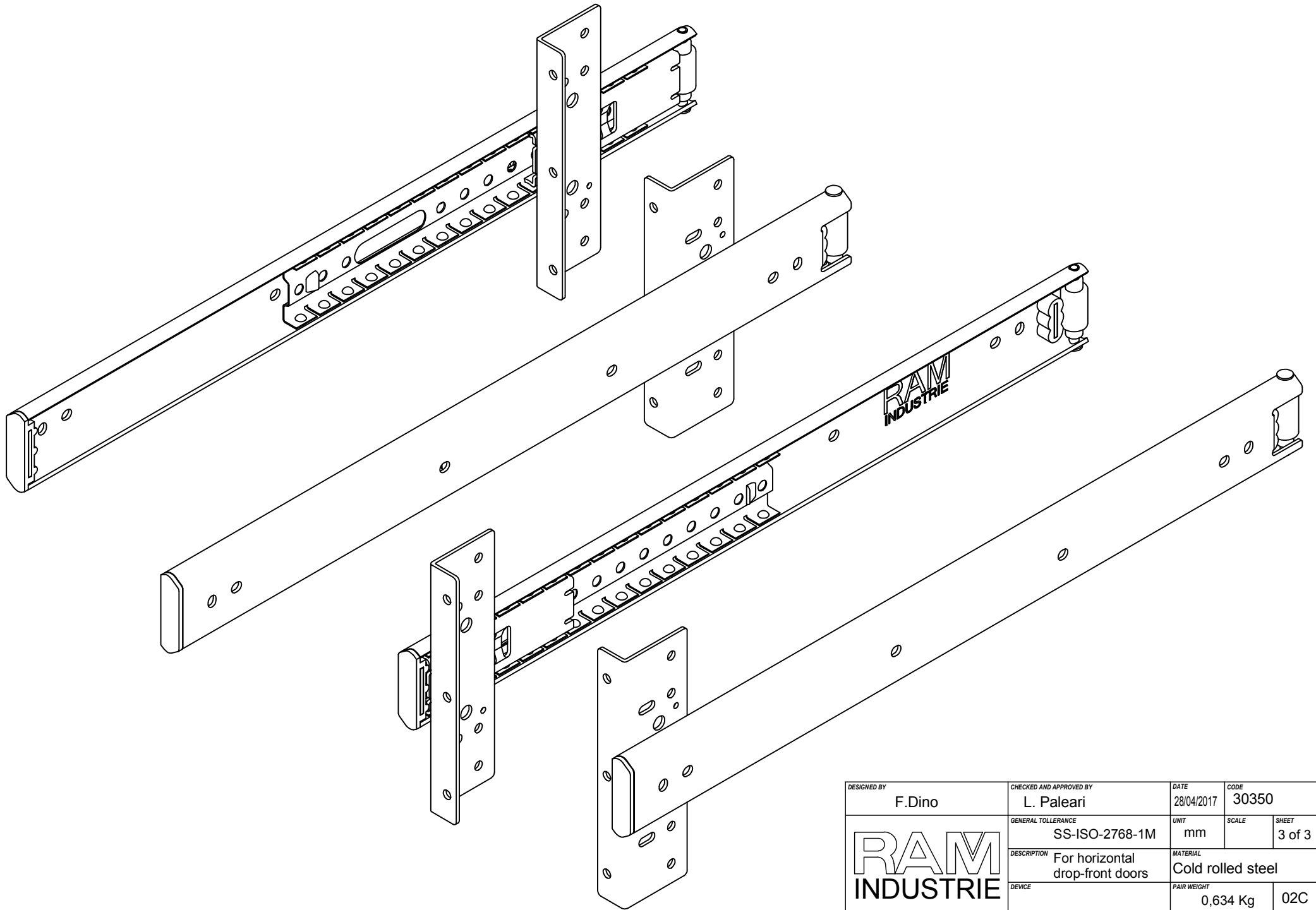
Property of RAM Industrie.  
Without its written authorization the present drawing shall neither be used for construction anyway, communicated to third parties, nor reproduced.




REVISION HISTORY			
REV	DESCRIPTION	APPROVED BY	DATE
1		F.Dino	28/04/2017

DESIGNED BY F.Dino	CHECKED AND APPROVED BY L. Paleari	DATE 28/04/2017	CODE 30350
	GENERAL TOLLERANCE SS-ISO-2768-1M	UNIT mm	SCALE SHEET 2 of 3
	DESCRIPTION For horizontal drop-front doors	MATERIAL Cold rolled steel	
	DEVICE	PAIR WEIGHT 0,634 Kg	02C

Property of RAM Industrie.  
Without its written authorization the present drawing shall neither be used for construction anyway, communicated to third parties, nor reproduced.



DESIGNED BY F.Dino	CHECKED AND APPROVED BY L. Paleari	DATE 28/04/2017	CODE 30350
	GENERAL TOLLERANCE SS-ISO-2768-1M	UNIT mm	SCALE 3 of 3
	DESCRIPTION For horizontal drop-front doors	MATERIAL Cold rolled steel	
	DEVICE	PAIR WEIGHT 0,634 Kg	02C

Property of RAM Industrie.  
Without its written authorization the present drawing shall neither be used for construction anyway, communicated to third parties, nor reproduced.