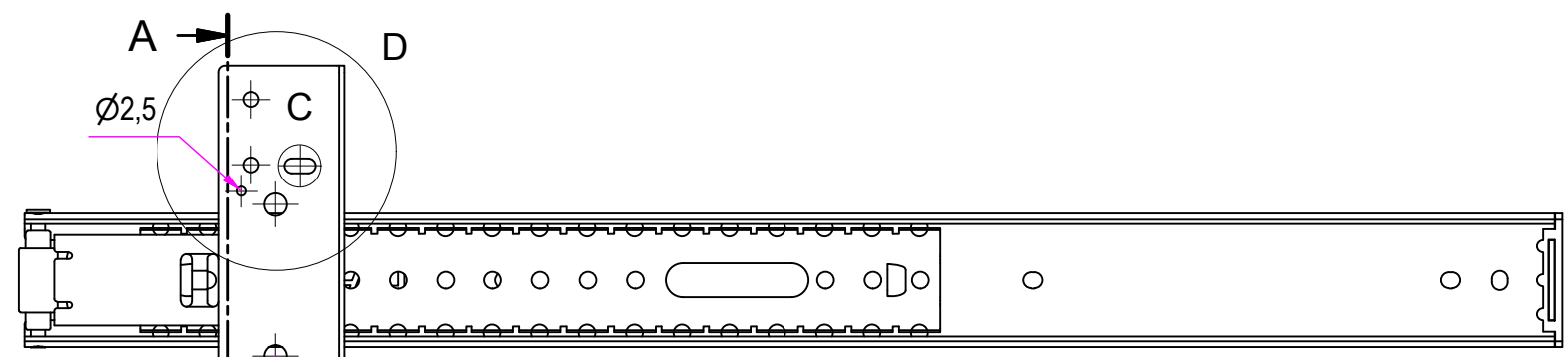
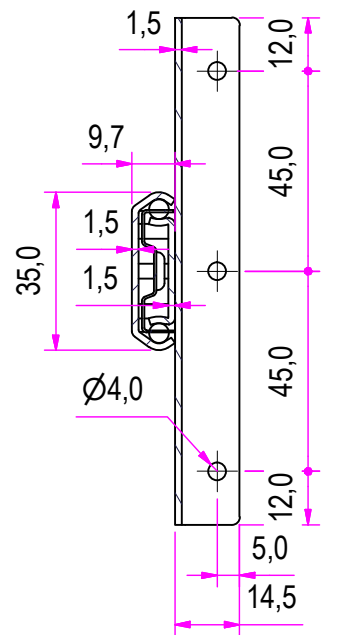
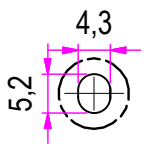


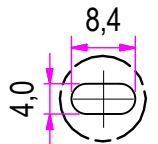
SEZ. A-A



B (1:1)



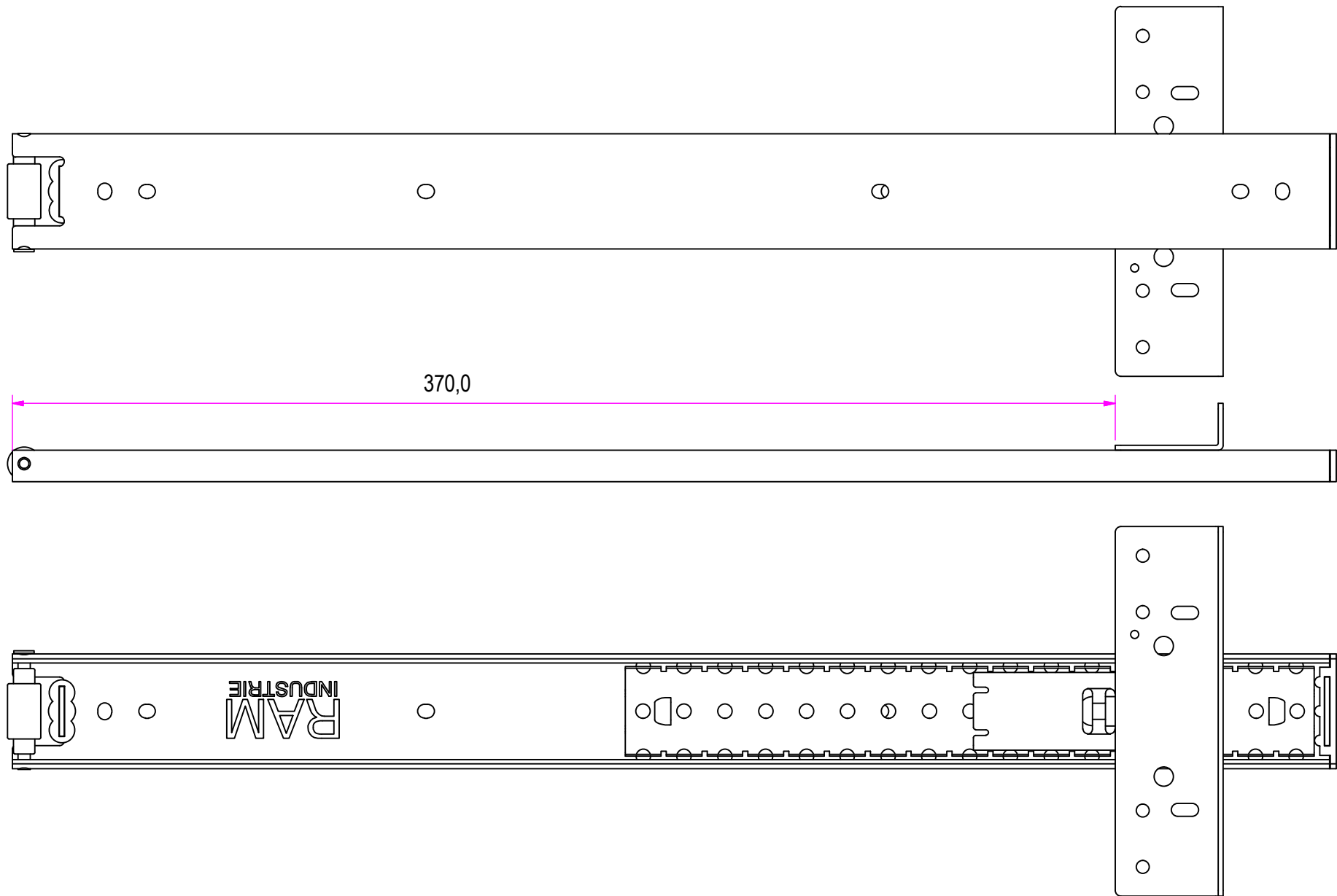
C (1:1)



DESIGNED BY F.Dino	CHECKED AND APPROVED BY L. Paleari	DATE 18/11/2016	CODE 30400	
		GENERAL TOLLERANCE SS-ISO-2768-1M	UNIT mm	SCALE 1 of 3
		DESCRIPTION For horizontal drop-front doors	MATERIAL Cold rolled steel	
DEVICE		PAIR WEIGHT 0,7 Kg	02C	

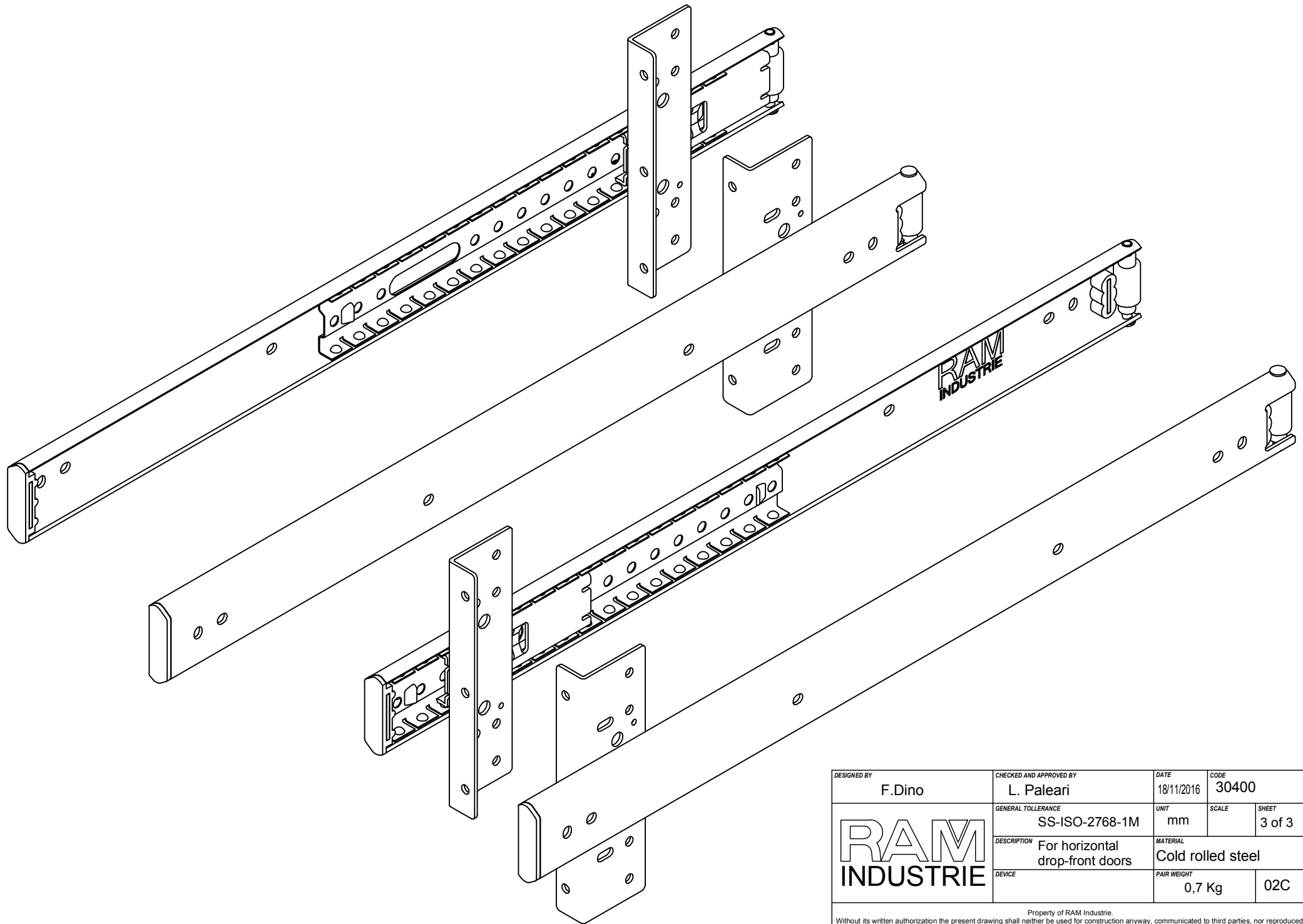
REVISION HISTORY			
REV	DESCRIPTION	APPROVED BY	DATE
1		F.Dino	18/11/2016


Property of RAM Industrie.
Without its written authorization the present drawing shall neither be used for construction anyway, communicated to third parties, nor reproduced.



REVISION HISTORY			
REV	DESCRIPTION	APPROVED BY	DATE
1		F.Dino	18/11/2016

DESIGNED BY F.Dino	CHECKED AND APPROVED BY L. Paleari	DATE 18/11/2016	CODE 30400
RAM INDUSTRIE	GENERAL TOLLERANCE SS-ISO-2768-1M	UNIT mm	SCALE SHEET 2 of 3
	DESCRIPTION For horizontal drop-front doors	MATERIAL Cold rolled steel	
	DEVICE	PAIR WEIGHT 0,7 Kg	02C
Property of RAM Industrie. Without its written authorization the present drawing shall neither be used for construction anyway, communicated to third parties, nor reproduced.			



DESIGNED BY F.Dino	CHECKED AND APPROVED BY L. Paleari	DATE 18/11/2016	CODE 30400
	GENERAL TOLLERANCE SS-ISO-2768-1M	UNIT mm	SCALE 3 of 3
	DESCRIPTION For horizontal drop-front doors	MATERIAL Cold rolled steel	
	DEVICE	PAIR WEIGHT 0,7 Kg	02C

Property of RAM Industrie.
Without its written authorization the present drawing shall neither be used for construction anyway, communicated to third parties, nor reproduced.