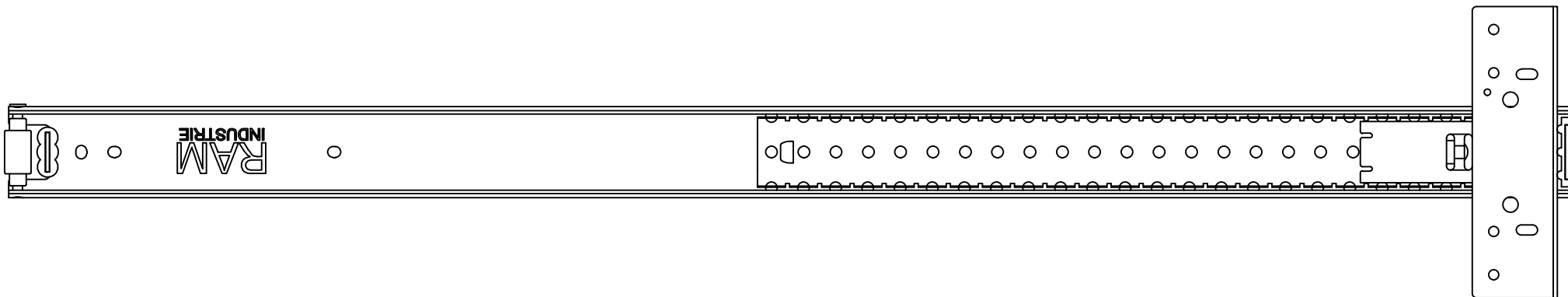
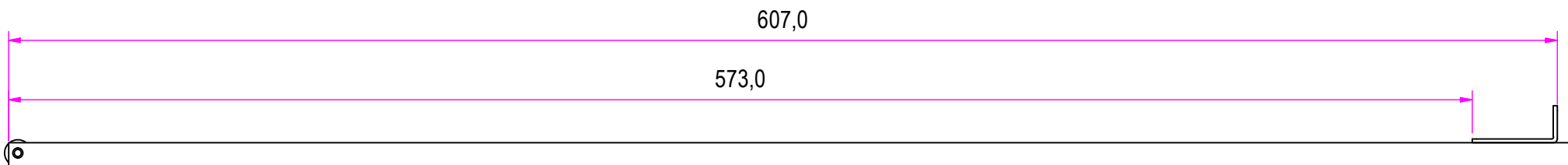
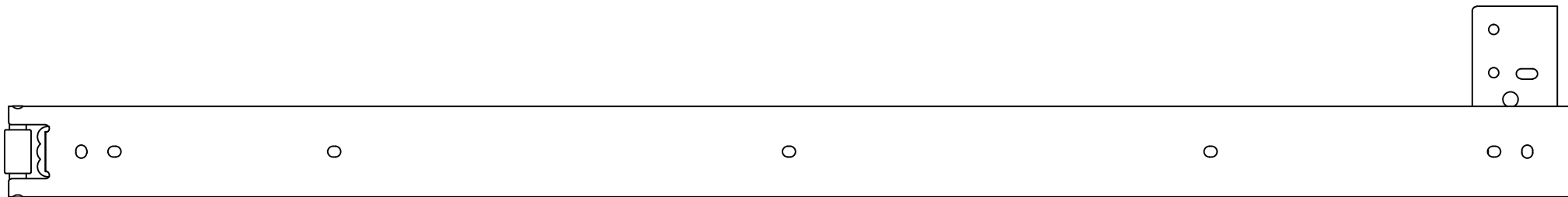


REVISION HISTORY			
REV	DESCRIPTION	APPROVED BY	DATE
1		F.Dino	03/03/2022

DESIGNED BY F.Dino	CHECKED AND APPROVED BY L. Paleari	DATE 03/03/2022	CODE 30600
GENERAL TOLLERANCE SS-ISO-2768-1M		UNIT mm	SCALE 1 of 3
DESCRIPTION For horizontal drop-front doors		MATERIAL Cold rolled steel	
DEVICE		PAIR WEIGHT 0,984 Kg	02C

RAM
INDUSTRIE

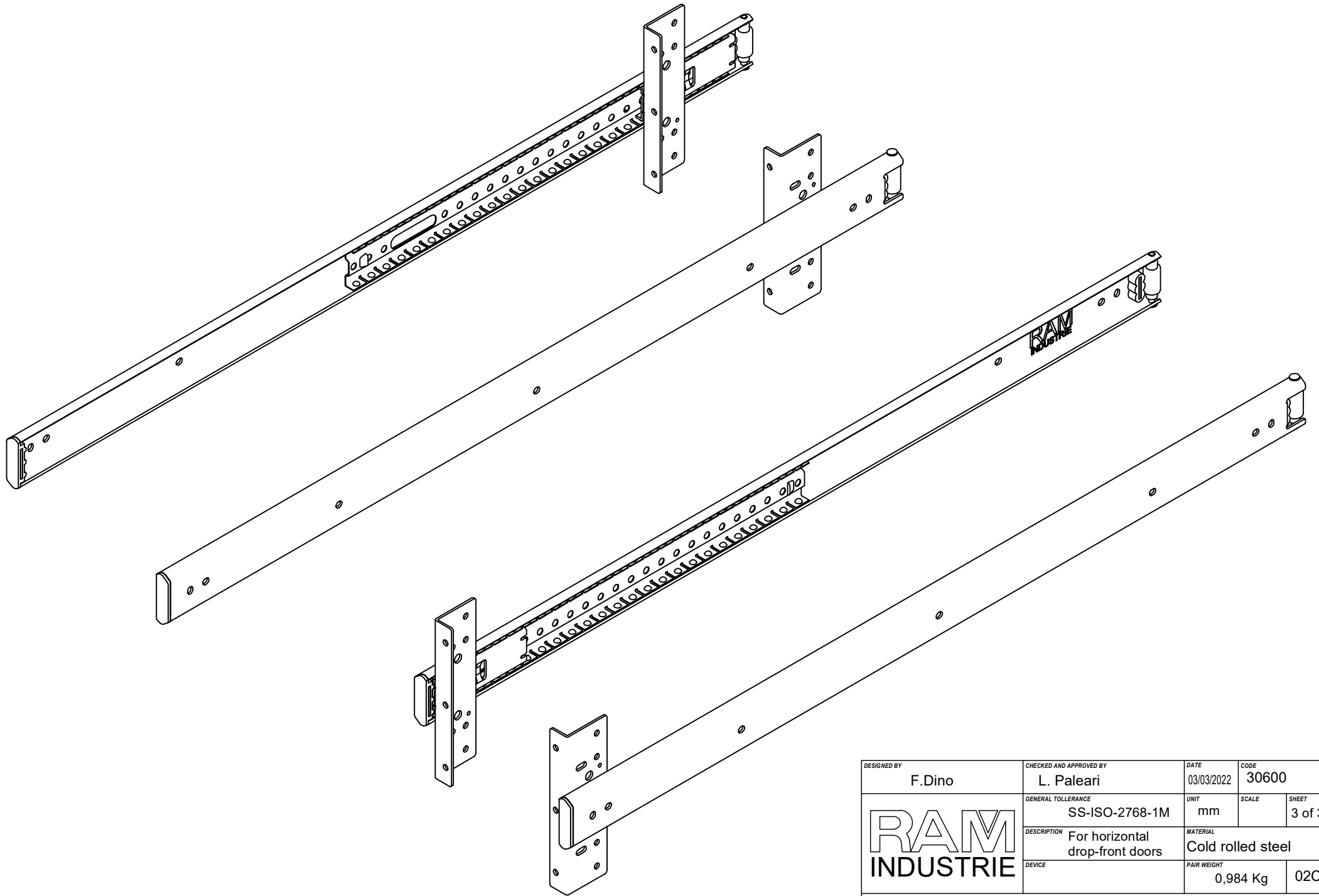
Property of RAM Industrie.
Without its written authorization the present drawing shall neither be used for construction anyway, communicated to third parties, nor reproduced.




REVISION HISTORY			
REV	DESCRIPTION	APPROVED BY	DATE
1		F.Dino	03/03/2022

DESIGNED BY F.Dino	CHECKED AND APPROVED BY L. Paleari	DATE 03/03/2022	CODE 30600	
RAM INDUSTRIE	GENERAL TOLLERANCE SS-ISO-2768-1M	UNIT mm	SCALE	SHEET 2 of 3
	DESCRIPTION For horizontal drop-front doors	MATERIAL Cold rolled steel		
	DEVICE	PAIR WEIGHT 0,984 Kg	02C	

Property of RAM Industrie.
Without its written authorization the present drawing shall neither be used for construction anyway, communicated to third parties, nor reproduced.



DESIGNED BY F.Dino	CHECKED AND APPROVED BY L. Paleari	DATE 03/03/2022	CODE 30600
	GENERAL TOLLERANCE SS-ISO-2768-1M	UNIT mm	SCALE 3 of 3
	DESCRIPTION For horizontal drop-front doors	MATERIAL Cold rolled steel	
	DEVICE	PAIR WEIGHT 0,984 Kg	02C

Property of RAM Industrie.
Without its written authorization the present drawing shall neither be used for construction anyway, communicated to third parties, nor reproduced.