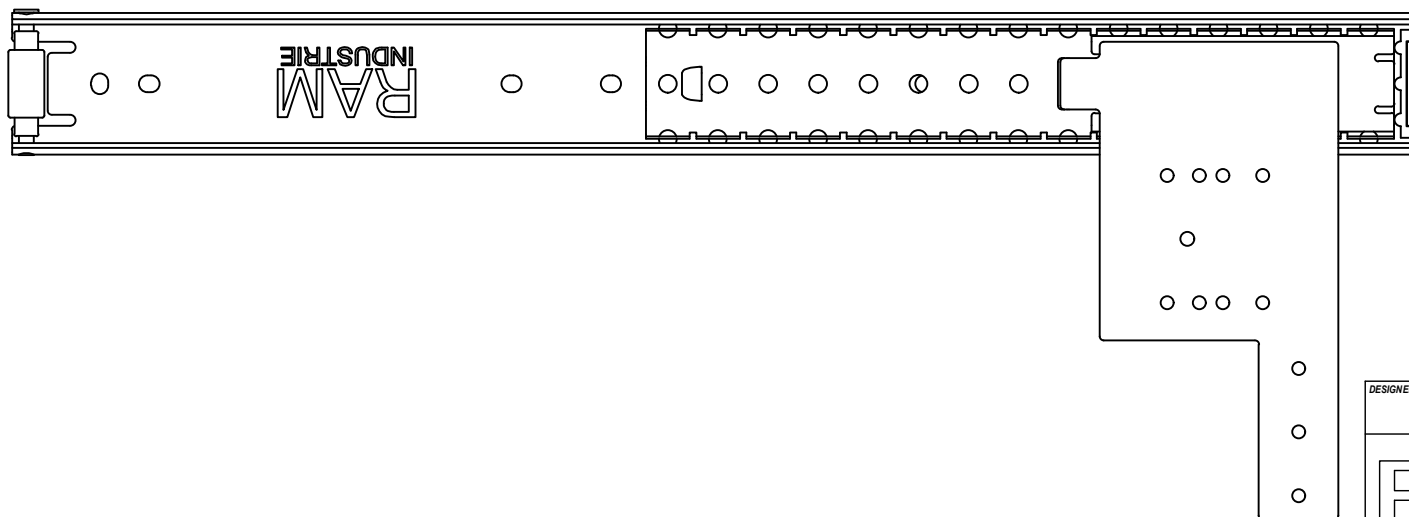
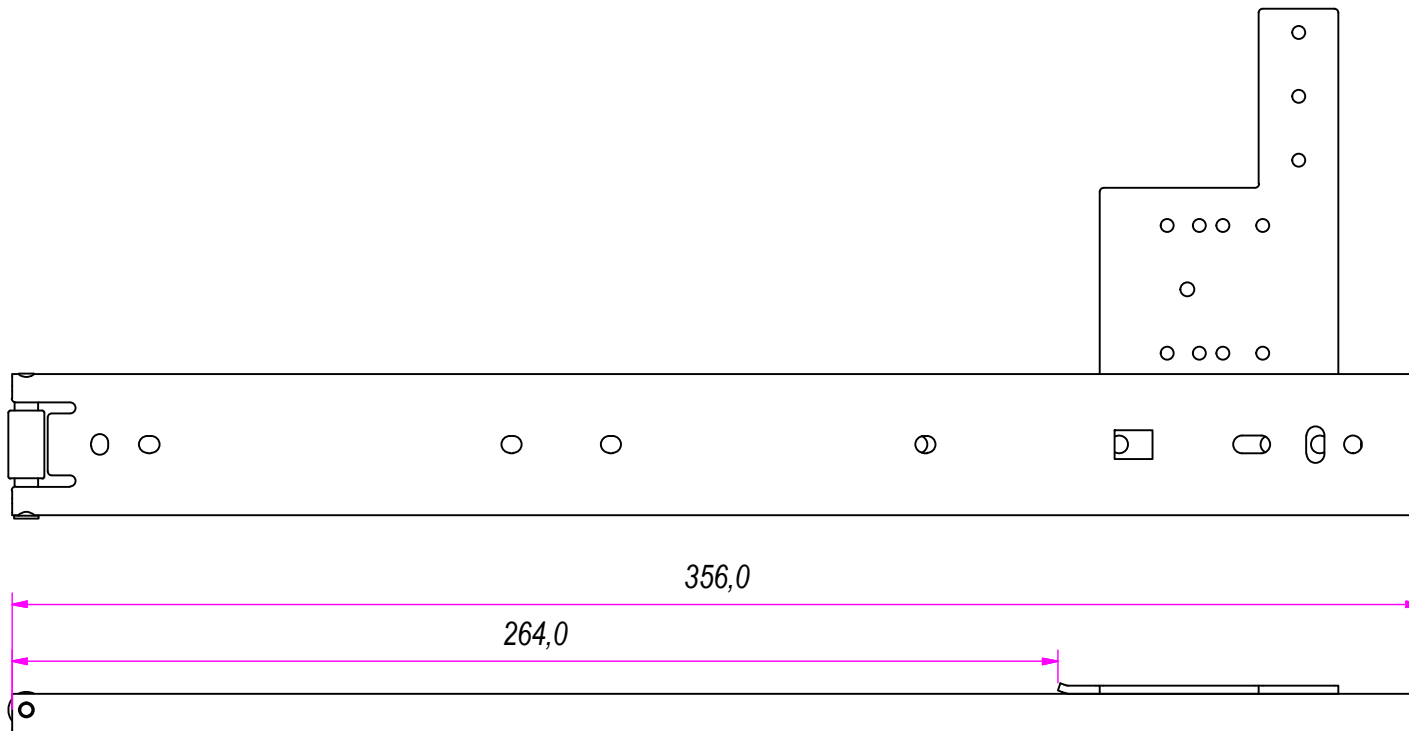


| | | | | |
|---|---------------------------------------|--|-------------------------------|-----------------|
| DESIGNED BY F.Dino | CHECKED AND APPROVED BY L. Paleari | DATE 21/11/2016 | CODE 32350 | |
| | | GENERAL TOLLERANCE SS-ISO-2768-1M | UNIT mm | SCALE 1 of 3 |
| | | DESCRIPTION For vertical drop-front doors | MATERIAL Cold rolled steel | |
| DEVICE | | PAIR WEIGHT 0,678 Kg | 02C | |
| Property of RAM Industrie. Without its written authorization the present drawing shall neither be used for construction anyway, communicated to third parties, nor reproduced. | | | | |

| REVISION HISTORY | | | |
|------------------|-------------|-------------|------------|
| REV | DESCRIPTION | APPROVED BY | DATE |
| 1 | | F.Dino | 21/11/2016 |

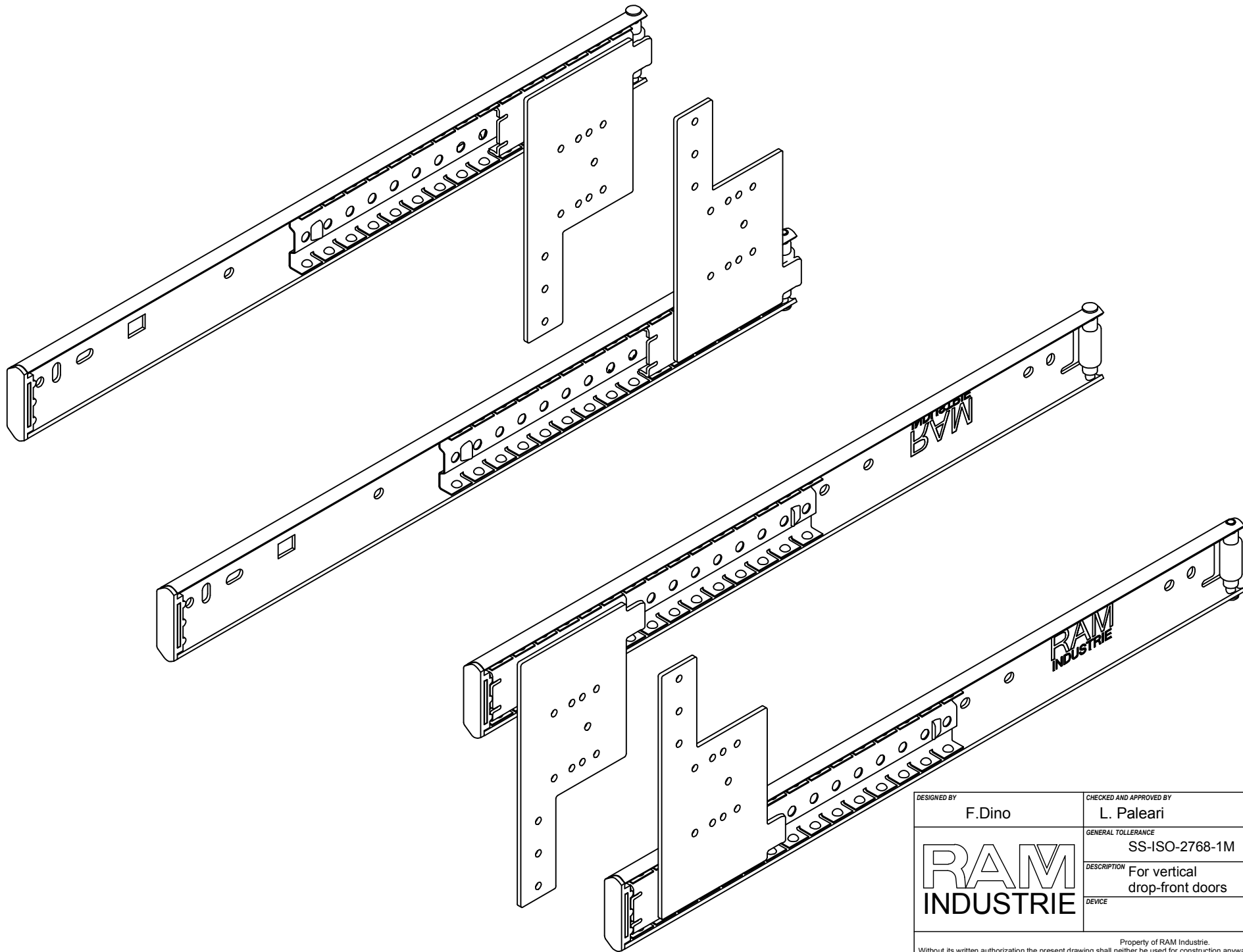



| REVISION HISTORY | | | |
|------------------|-------------|-------------|------------|
| REV | DESCRIPTION | APPROVED BY | DATE |
| 1 | | F.Dino | 21/11/2016 |

| | | | |
|--|---------------------------------------|-------------------------------|--------------------------|
| DESIGNED BY F.Dino | CHECKED AND APPROVED BY L. Paleari | DATE 21/11/2016 | CODE 32350 |
| GENERAL TOLLERANCE SS-ISO-2768-1M | | UNIT mm | SCALE SHEET 2 of 3 |
| DESCRIPTION For vertical drop-front doors | | MATERIAL Cold rolled steel | |
| DEVICE | | PAIR WEIGHT 0,678 Kg | 02C |

RAM
INDUSTRIE

Property of RAM Industrie.
Without its written authorization the present drawing shall neither be used for construction anyway, communicated to third parties, nor reproduced.



| | | | |
|---|--|-------------------------------|--------------------------|
| DESIGNED BY F.Dino | CHECKED AND APPROVED BY L. Paleari | DATE 21/11/2016 | CODE 32350 |
|  | GENERAL TOLLERANCE SS-ISO-2768-1M | UNIT mm | SCALE SHEET 3 of 3 |
| | DESCRIPTION For vertical drop-front doors | MATERIAL Cold rolled steel | |
| | DEVICE | PAIR WEIGHT 0,678 Kg | 02C |

Property of RAM Industrie.
Without its written authorization the present drawing shall neither be used for construction anyway, communicated to third parties, nor reproduced.