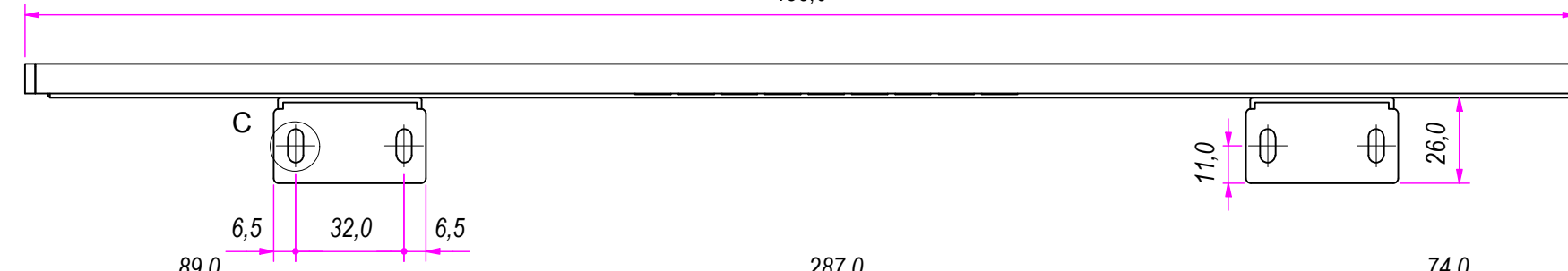
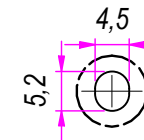
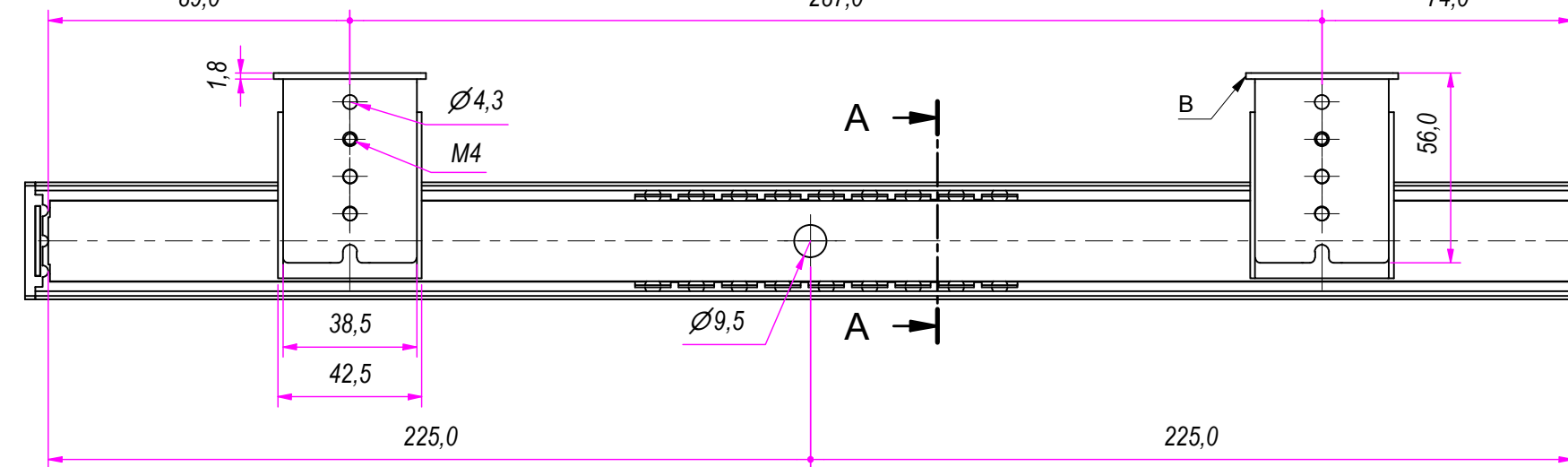
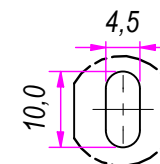


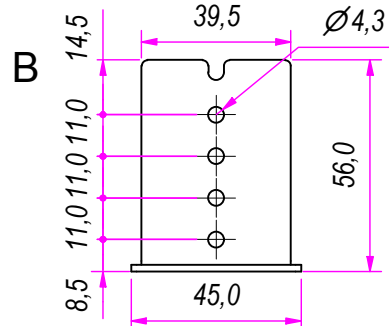
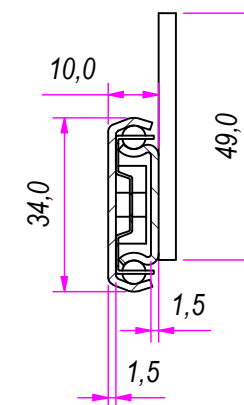
B (1:1)



C (1:1)



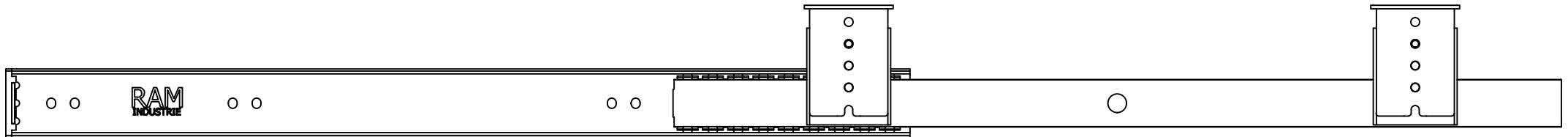
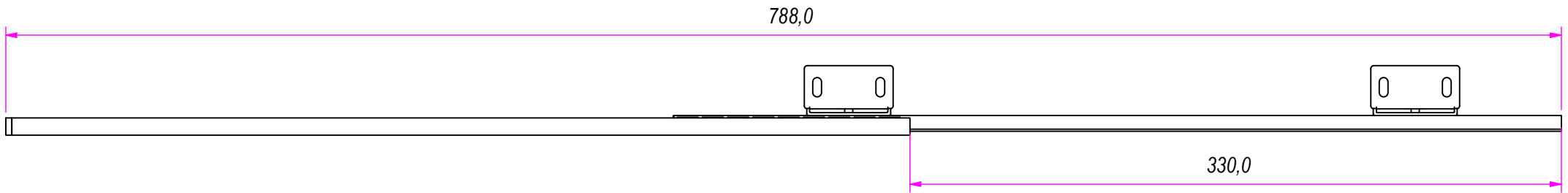
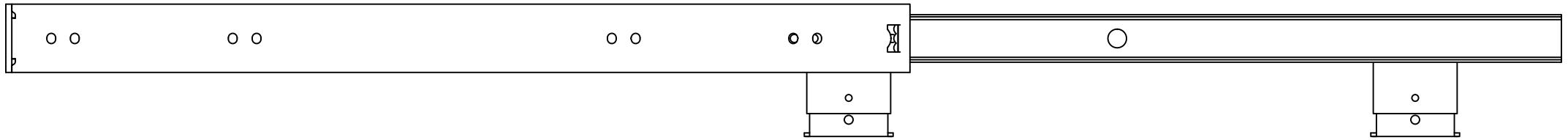
SEZ. A-A




REVISION HISTORY			
REV	DESCRIPTION	APPROVED BY	DATE
1		F.Dino	08/10/2021

DESIGNED BY F.Dino	CHECKED AND APPROVED BY L. Paleari	DATE 08/10/2021	CODE 33450
GENERAL TOLERANCE SS-ISO-2768-1M		UNIT mm	SCALE 1 of 3
DESCRIPTION For keyboard extractable surfaces		MATERIAL Cold rolled steel	
DEVICE		PAIR WEIGHT 1,148 Kg	02C
Property of RAM Industrie. Without its written authorization the present drawing shall neither be used for construction anyway, communicated to third parties, nor reproduced.			

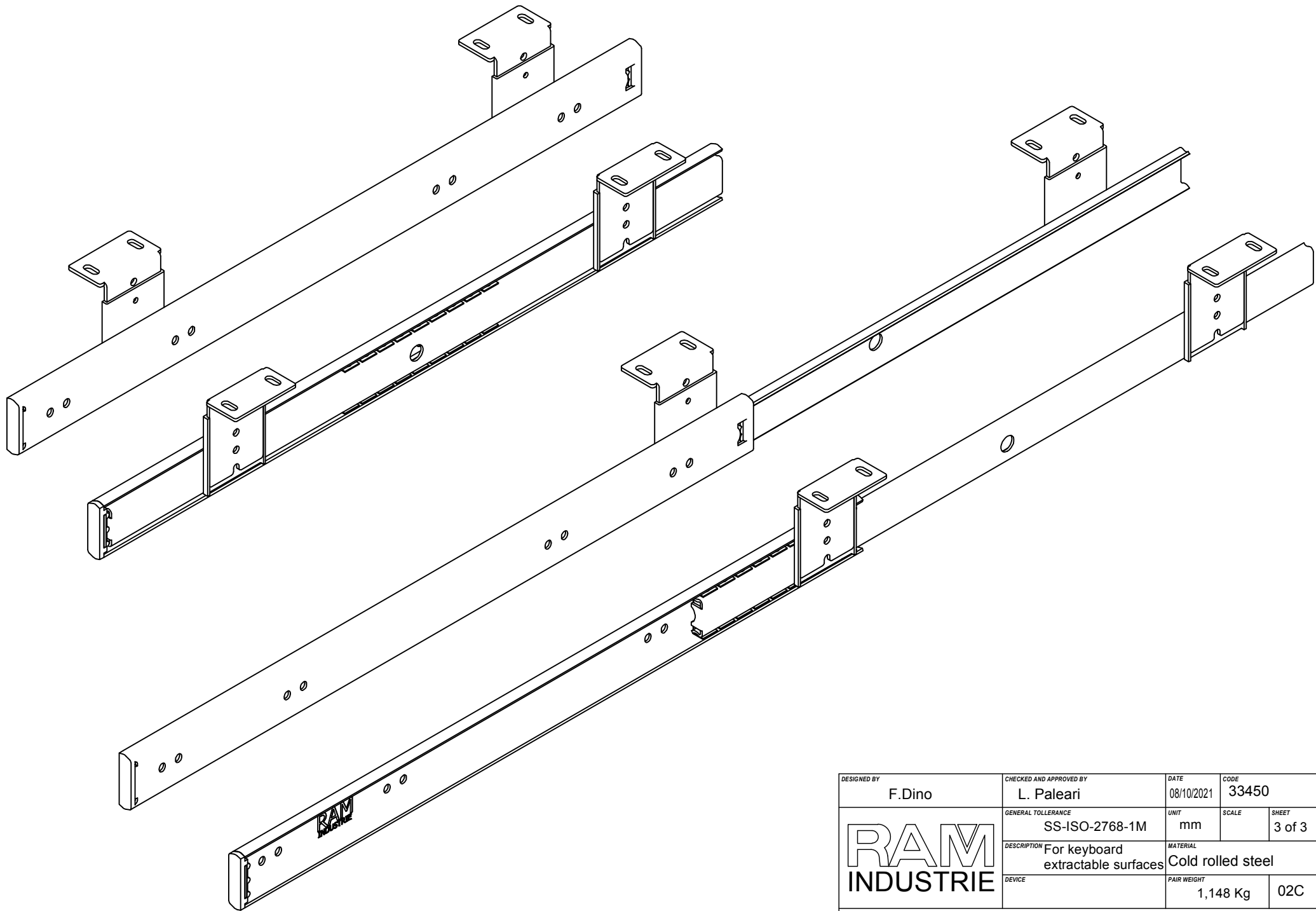
RAM
INDUSTRIE




REVISION HISTORY			
REV	DESCRIPTION	APPROVED BY	DATE
1		F.Dino	08/10/2021

DESIGNED BY F.Dino	CHECKED AND APPROVED BY L. Paleari	DATE 08/10/2021	CODE 33450
	GENERAL TOLLERANCE SS-ISO-2768-1M	UNIT mm	SCALE SHEET 2 of 3
	DESCRIPTION For keyboard extractable surfaces	MATERIAL Cold rolled steel	
	DEVICE	PAIR WEIGHT 1,148 Kg	02C

Property of RAM Industrie.
Without its written authorization the present drawing shall neither be used for construction anyway, communicated to third parties, nor reproduced.



DESIGNED BY F.Dino	CHECKED AND APPROVED BY L. Paleari	DATE 08/10/2021	CODE 33450
	GENERAL TOLLERANCE SS-ISO-2768-1M	UNIT mm	SCALE 3 of 3
	DESCRIPTION For keyboard extractable surfaces	MATERIAL Cold rolled steel	
DEVICE	PAIR WEIGHT 1,148 Kg		02C

Property of RAM Industrie.
Without its written authorization the present drawing shall neither be used for construction anyway, communicated to third parties, nor reproduced.