
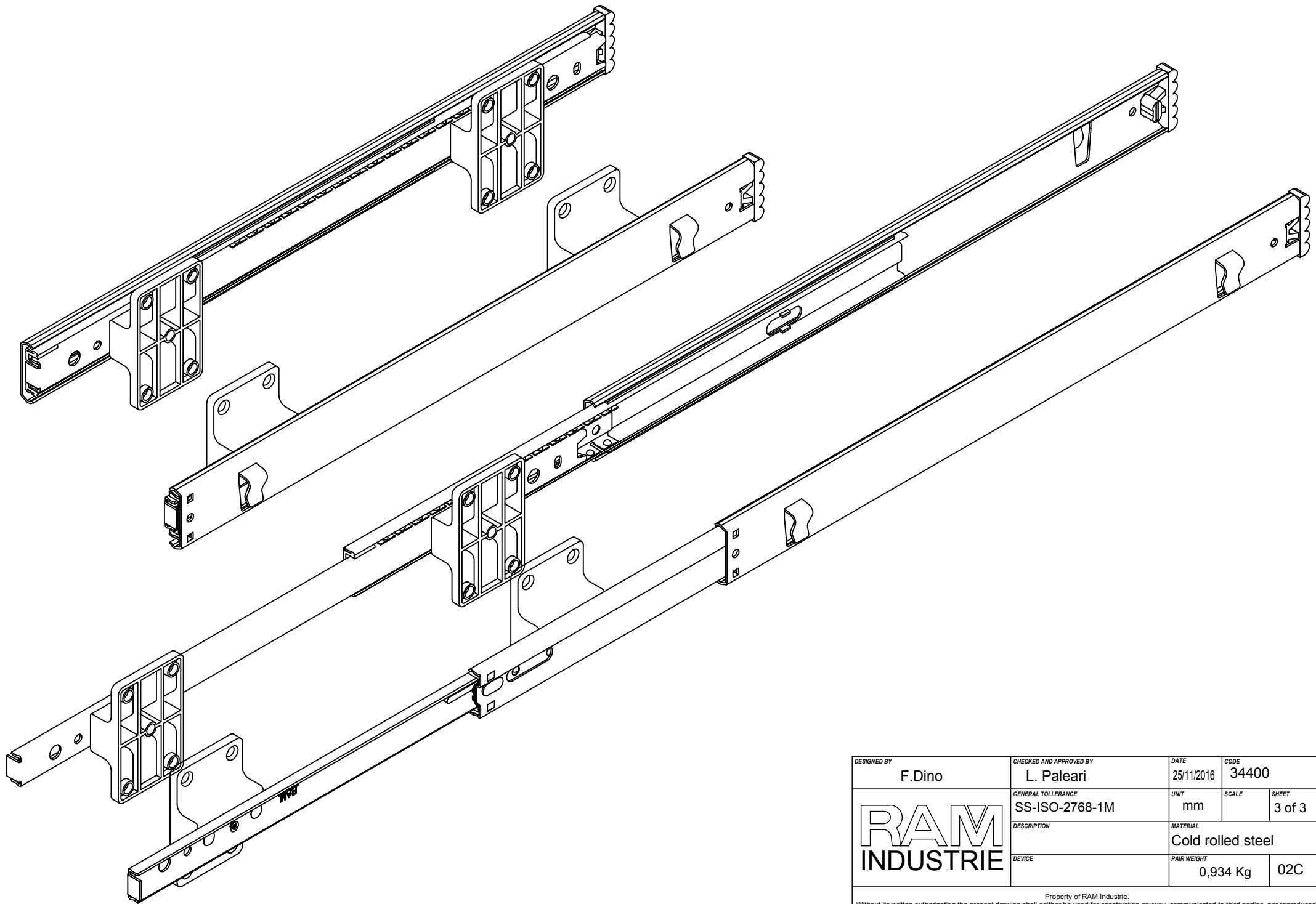



REVISION HISTORY			
REV	DESCRIPTION	APPROVED BY	DATE
1		F.Dino	25/11/2016

DESIGNED BY F.Dino	CHECKED AND APPROVED BY L. Paleari	DATE 25/11/2016	CODE 34400
	GENERAL TOLLERANCE SS-ISO-2768-1M	UNIT mm	SCALE SHEET 2 of 3
	DESCRIPTION	MATERIAL Cold rolled steel	
	DEVICE	PAIR WEIGHT 0,934 Kg	02C
Property of RAM Industrie.			
Without its written authorization the present drawing shall neither be used for construction anyway, communicated to third parties, nor reproduced.			



DESIGNED BY F.Dino	CHECKED AND APPROVED BY L. Paleari	DATE 25/11/2016	CODE 34400
	GENERAL TOLLERANCE SS-ISO-2768-1M	UNIT mm	SCALE SHEET 3 of 3
	DESCRIPTION	MATERIAL Cold rolled steel	
DEVICE	PAIR WEIGHT 0,934 Kg	02C	

Property of RAM Industrie.
Without its written authorization the present drawing shall neither be used for construction anyway, communicated to third parties, nor reproduced.