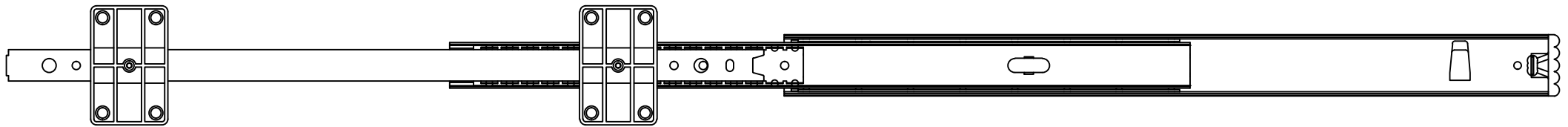
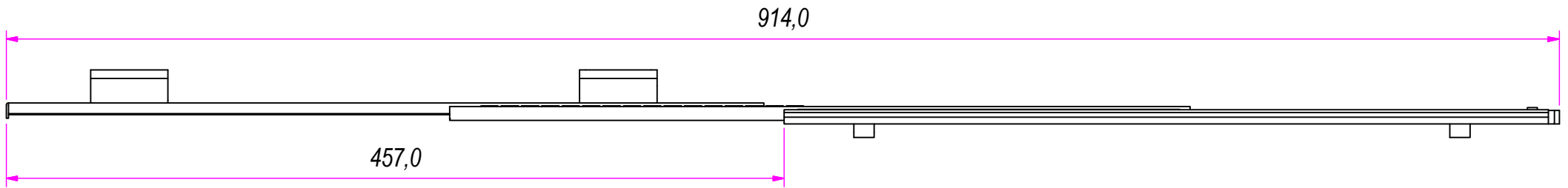
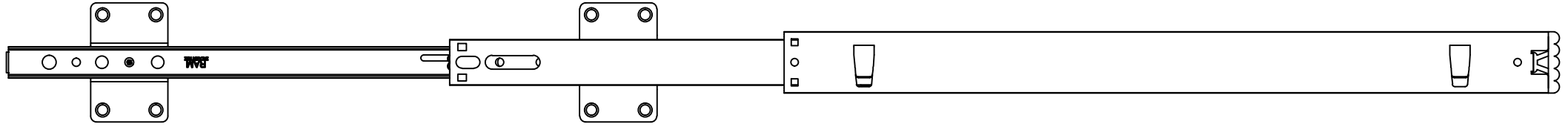



REVISION HISTORY			
REV	DESCRIPTION	APPROVED BY	DATE
1		F.Dino	25/11/2016

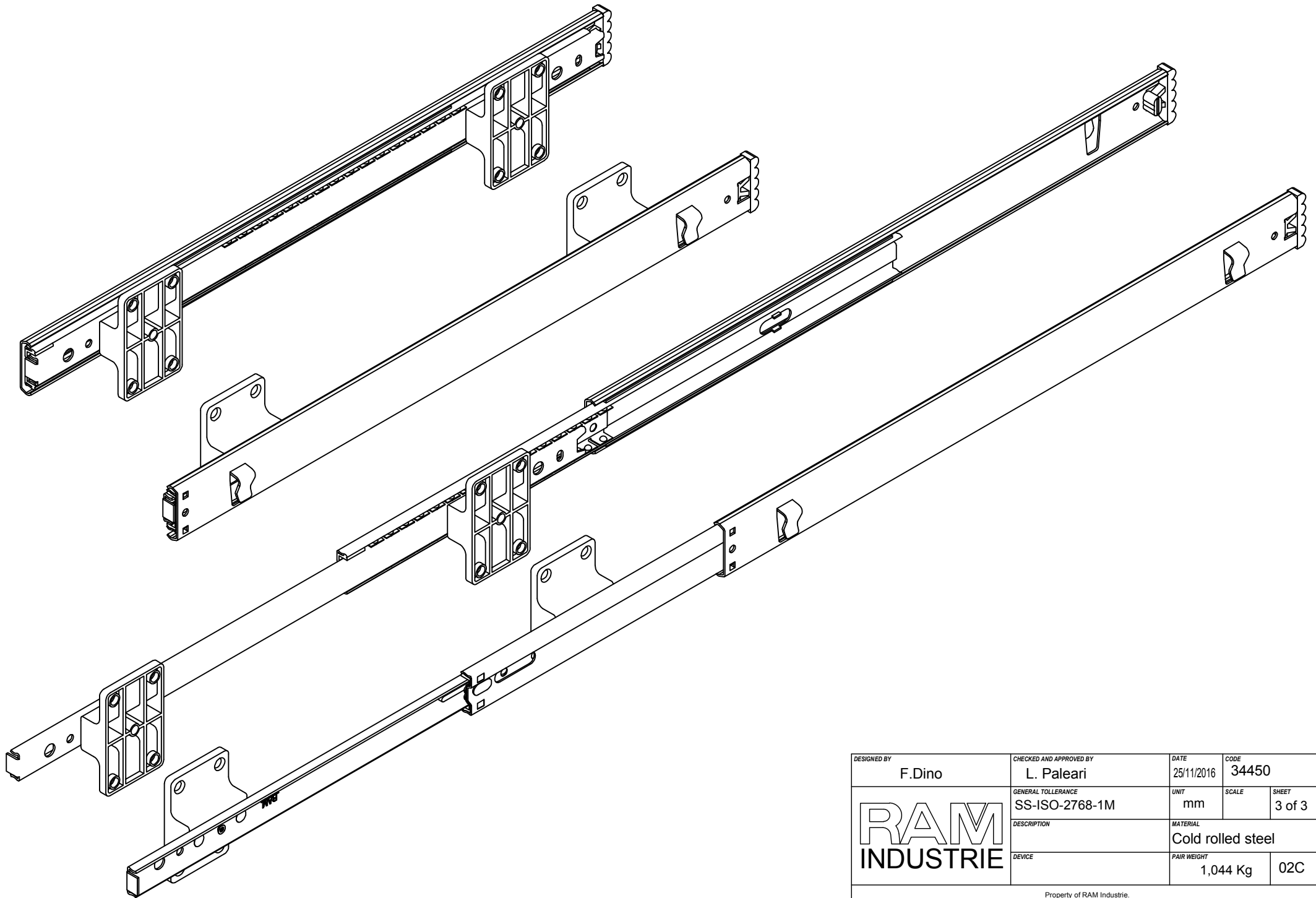
DESIGNED BY F.Dino	CHECKED AND APPROVED BY L. Paleari	DATE 25/11/2016	CODE 34450
		GENERAL TOLLERANCE SS-ISO-2768-1M	UNIT mm
		SCALE 1 of 3	SHEET 1 of 3
DESCRIPTION		MATERIAL Cold rolled steel	
DEVICE		PAIR WEIGHT 1,044 Kg	02C


Property of RAM Industrie.  
Without its written authorization the present drawing shall neither be used for construction anyway, communicated to third parties, nor reproduced.



REVISION HISTORY			
REV	DESCRIPTION	APPROVED BY	DATE
1		F.Dino	25/11/2016

DESIGNED BY F.Dino	CHECKED AND APPROVED BY L. Paleari	DATE 25/11/2016	CODE 34450
	GENERAL TOLLERANCE SS-ISO-2768-1M	UNIT mm	SCALE SHEET 2 of 3
	DESCRIPTION	MATERIAL Cold rolled steel	
	DEVICE	PAIR WEIGHT 1,044 Kg	02C
Property of RAM Industrie.			
Without its written authorization the present drawing shall neither be used for construction anyway, communicated to third parties, nor reproduced.			



DESIGNED BY F.Dino	CHECKED AND APPROVED BY L. Paleari	DATE 25/11/2016	CODE 34450
	GENERAL TOLLERANCE SS-ISO-2768-1M	UNIT mm	SCALE SHEET 3 of 3
	DESCRIPTION	MATERIAL Cold rolled steel	
DEVICE	PAIR WEIGHT 1,044 Kg	02C	

Property of RAM Industrie.  
Without its written authorization the present drawing shall neither be used for construction anyway, communicated to third parties, nor reproduced.