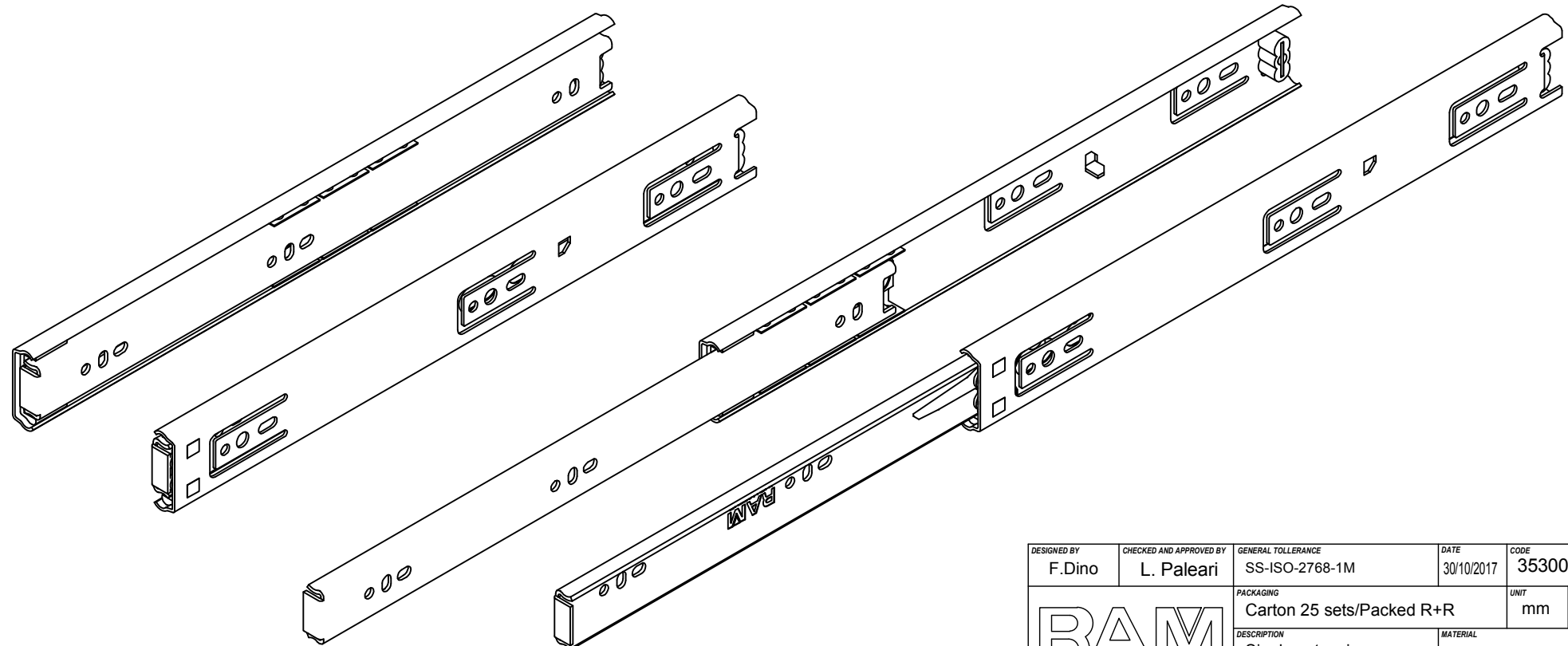
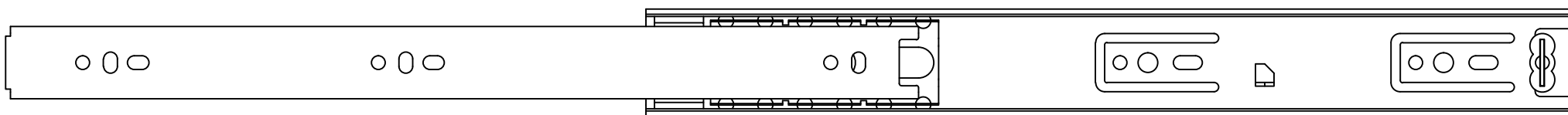
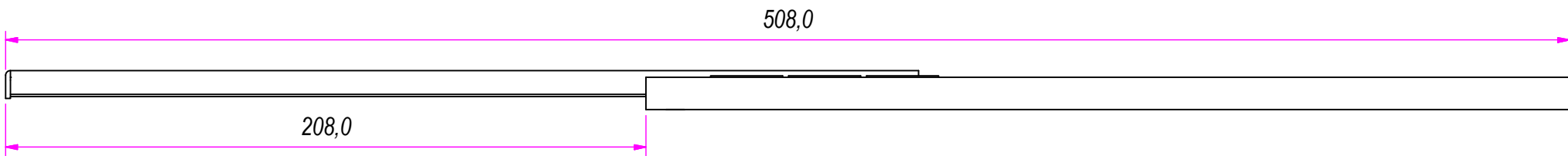
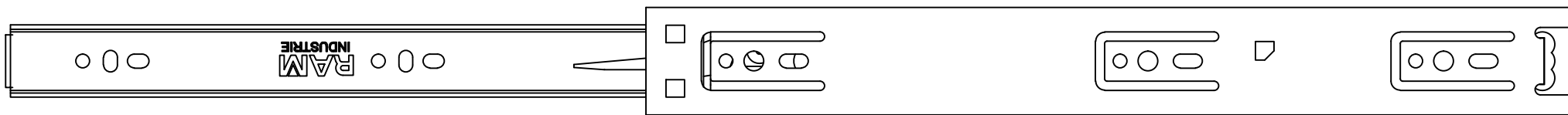


Guide per cassetti; guide telescopiche	Coulisses à billes; coulisse télescopique	
Drawer slide; telescopic ball bearing slide	Guías para cajones; guía teleópica	
Kugelführung; Teleskopschienen		

REVISION HISTORY	
REV	DESCRIPTION
1a	

DESIGNED BY F. Dino	CHECKED AND APPROVED BY L. Paleari	GENERAL TOLERANCE SS-ISO-2768-1M	DATE 30/10/2017	CODE 35300
		PACKAGING Carton 25 sets/Packed R+R	UNIT mm	SHEET 1 of 2
		DESCRIPTION Single extension	MATERIAL Cold rolled steel	
		DEVICE	PAIR WEIGHT 0,526 Kg	03T
Property of RAM Industrie. Without its written authorization the present drawing shall neither be used for construction anyway, communicated to third parties, nor reproduced.				



Guide per cassetti; guide telescopiche	Coulisses à billes; coulisse télescopique
Drawer slide; telescopic ball bearing slide	Guías para cajones; guía teleópica
Kugelführung; Teleskopschienen	

REVISION HISTORY	
REV	DESCRIPTION
1a	

DESIGNED BY F. Dino	CHECKED AND APPROVED BY L. Paleari	GENERAL TOLLERANCE SS-ISO-2768-1M	DATE 30/10/2017	CODE 35300
PACKAGING Carton 25 sets/Packed R+R			UNIT mm	SHEET 2 of 2
DESCRIPTION Single extension			MATERIAL Cold rolled steel	
DEVICE			PAIR WEIGHT 0,526 Kg	03T



Property of RAM Industrie.
Without its written authorization the present drawing shall neither be used for construction anyway, communicated to third parties, nor reproduced.