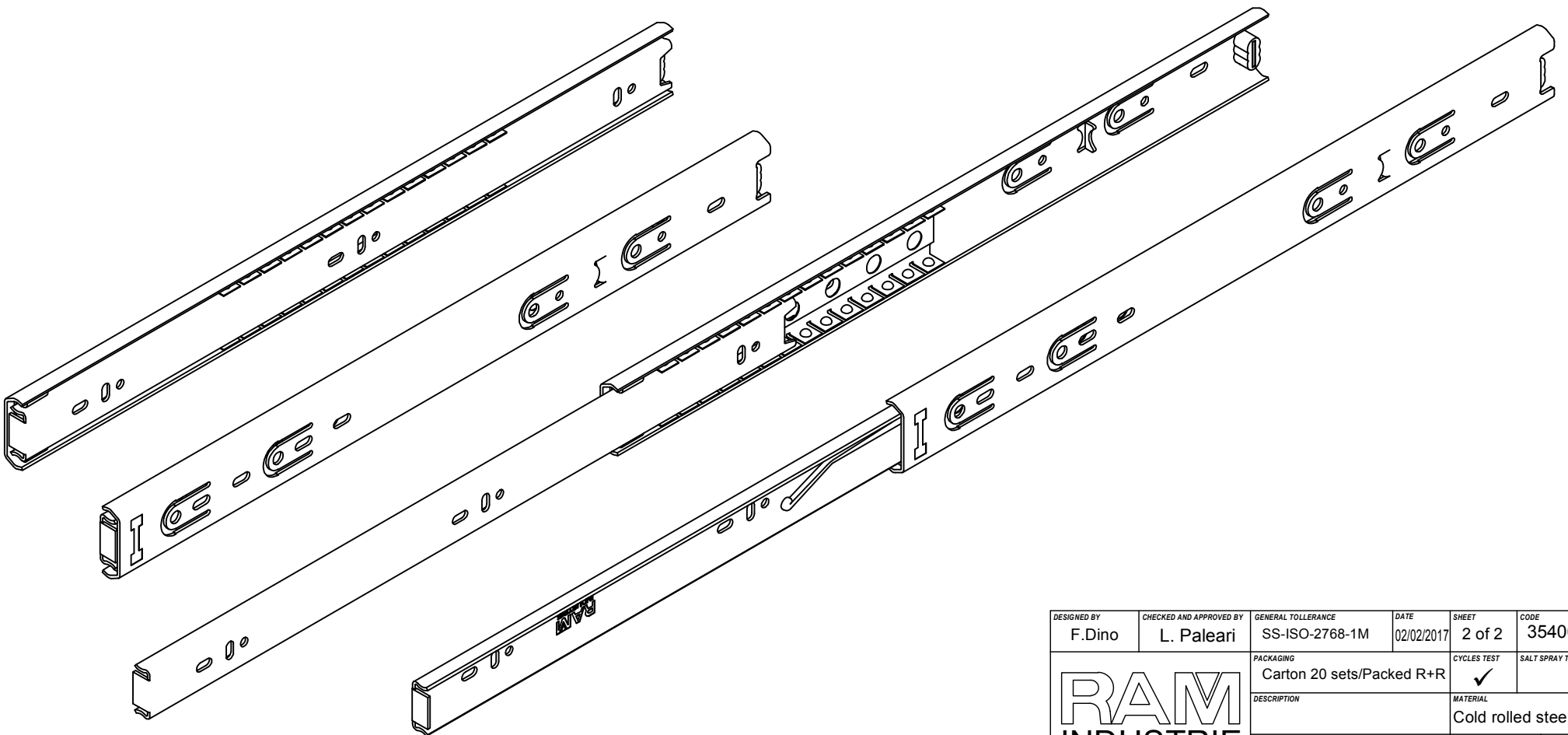
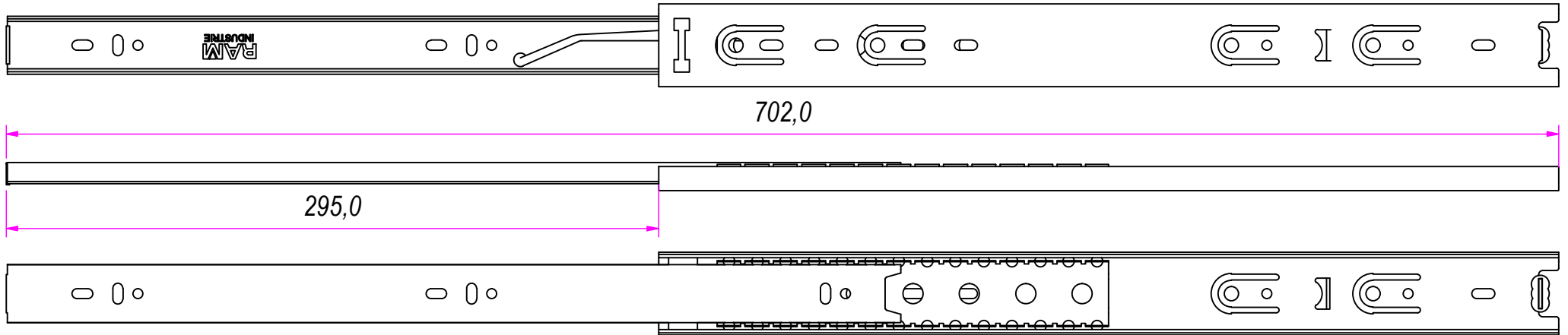



REVISION HISTORY			
REV	DESCRIPTION	APPROVED BY	DATE
1		F.Dino	02/02/2017

DESIGNED BY F.Dino	CHECKED AND APPROVED BY L. Paleari	GENERAL TOLERANCE SS-ISO-2768-1M	DATE 02/02/2017	SHEET 1 of 2	CODE 35400
			PACKAGING Carton 20 sets/Packed R+R	CYCLES TEST ✓	SALT SPRAY TEST ✓
			DESCRIPTION		MATERIAL Cold rolled steel
DEVICE			PAIR WEIGHT 0,908 Kg	UNIT mm	03T
<small>Property of RAM Industrie. Without its written authorization the present drawing shall neither be used for construction anyway, communicated to third parties, nor reproduced.</small>					



REVISION HISTORY			
REV	DESCRIPTION	APPROVED BY	DATE
1		F.Dino	02/02/2017

DESIGNED BY F.Dino	CHECKED AND APPROVED BY L. Paleari	GENERAL TOLLERANCE SS-ISO-2768-1M	DATE 02/02/2017	SHEET 2 of 2	CODE 35400
PACKAGING Carton 20 sets/Packed R+R			CYCLES TEST ✓	SALT SPRAY TEST	L/O LABEL ✓
DESCRIPTION				MATERIAL Cold rolled steel	
DEVICE				PAIR WEIGHT 0,908 Kg	UNIT mm 03T
					
<small>Property of RAM Industrie. Without its written authorization the present drawing shall neither be used for construction anyway, communicated to third parties, nor reproduced.</small>					