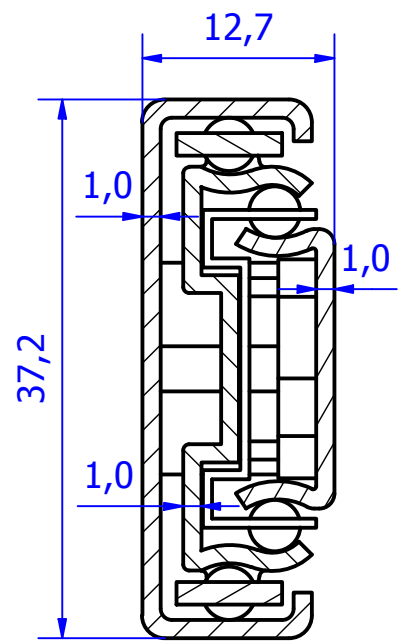
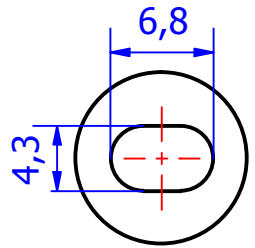


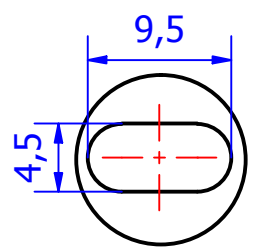
A-A (2 : 1)



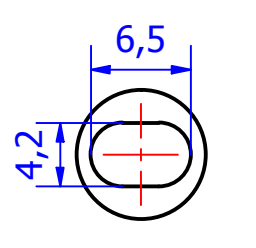
D (2 : 1)



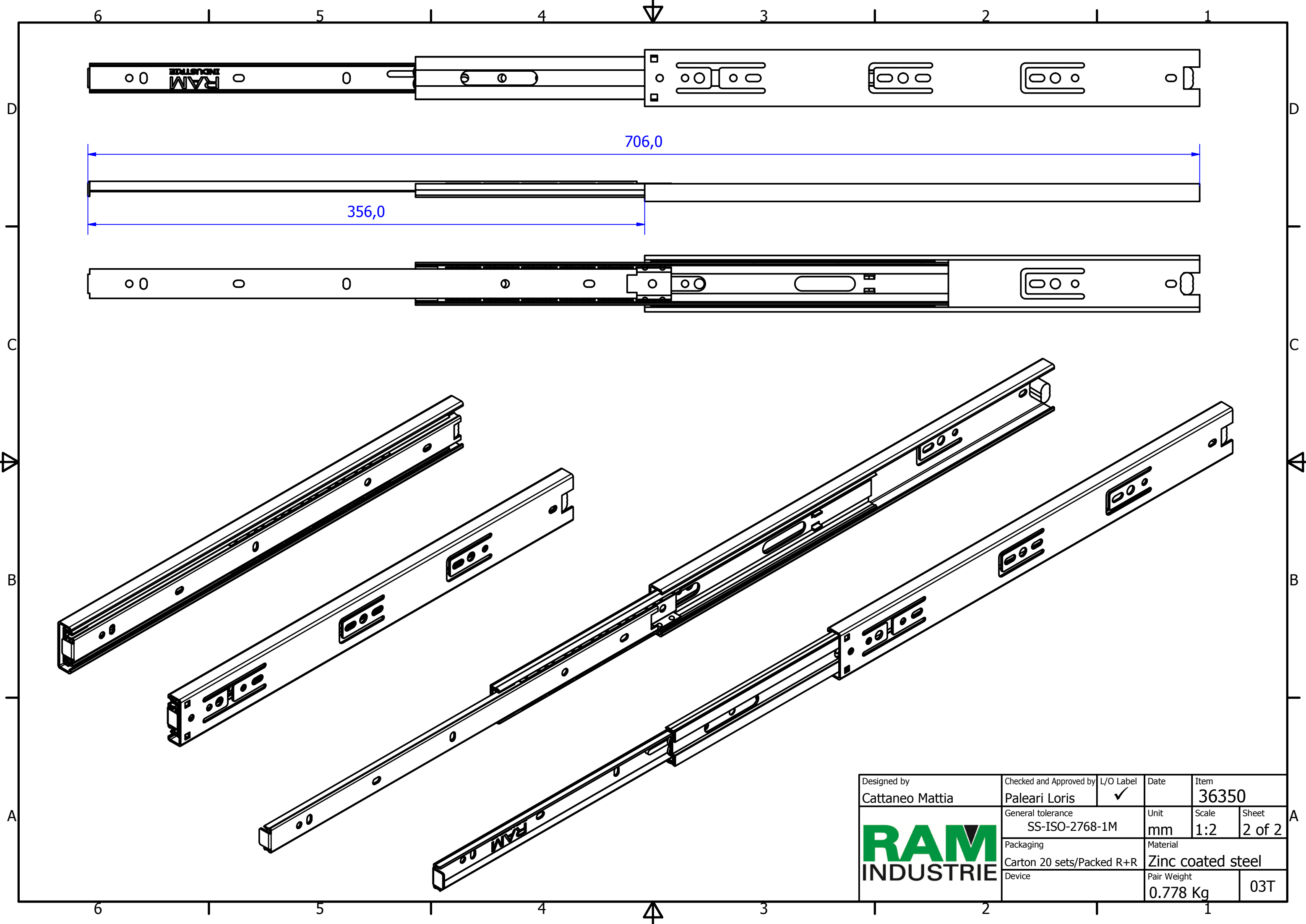
E (2 : 1)




F (2 : 1)



Designed by Cattaneo Mattia	Checked and Approved by Paleari Loris	L/O Label ✓	Date	Item 36350
	General tolerance SS-ISO-2768-1M		Unit mm	Scale 1:1
	Packaging Carton 20 sets/Packed R+R		Material Zinc coated steel	
	Device		Pair Weight 0.778 Kg	03T
			Sheet 1 of 2	



Designed by Cattaneo Mattia	Checked and Approved by Paleari Loris	L/O Label ✓	Date	Item 36350
	General tolerance SS-ISO-2768-1M	Unit mm	Scale 1:2	Sheet 2 of 2
	Packaging Carton 20 sets/Packed R+R	Material Zinc coated steel		
	Device	Pair Weight 0.778 Kg	03T	