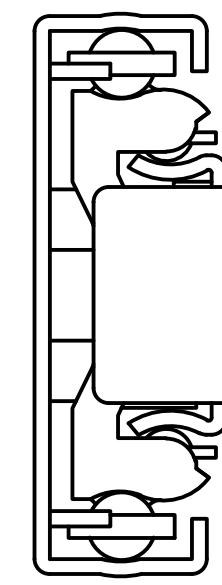
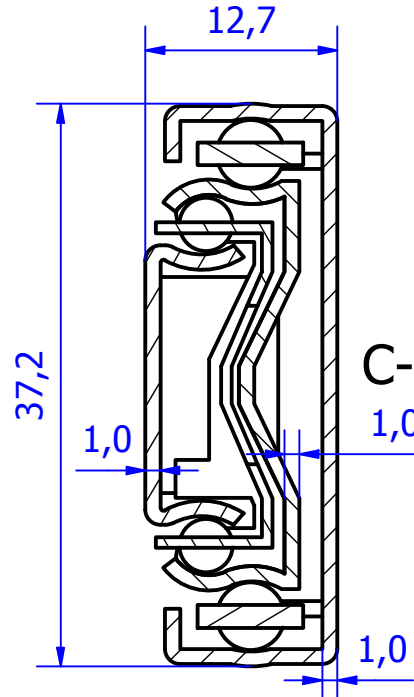


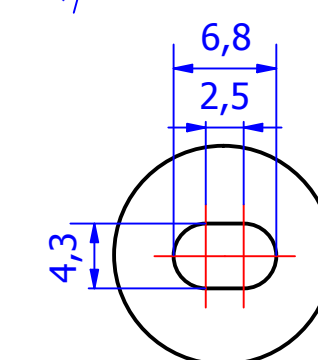
B (2 : 1)



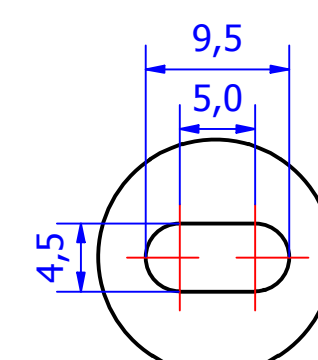
A (2 : 1)



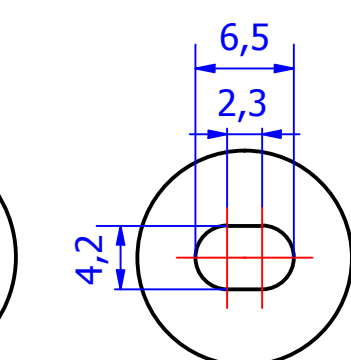
C-C (2 : 1)



D (2 : 1)

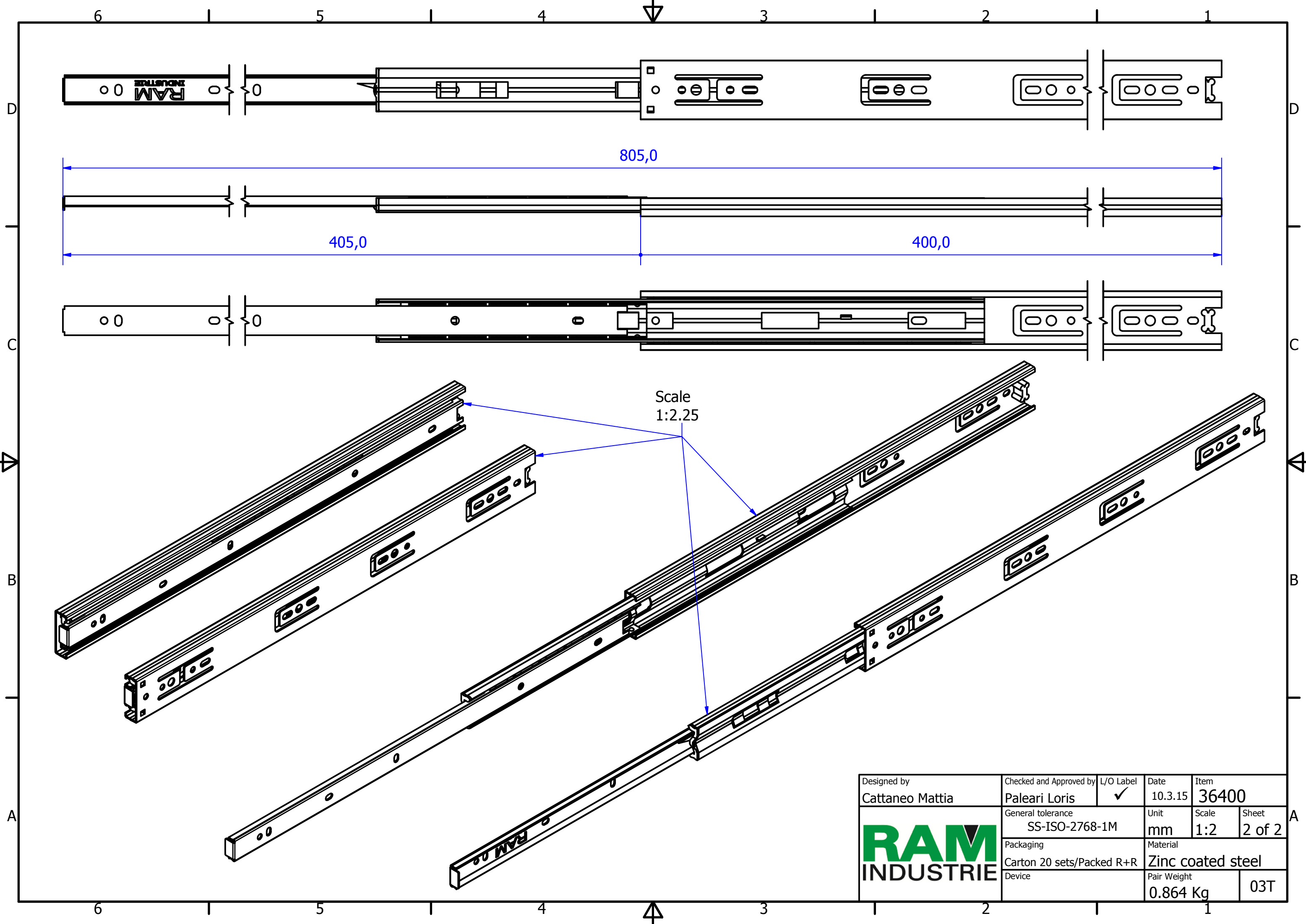


E (2 : 1)




F (2 : 1)

Designed by Cattaneo Mattia	Checked and Approved by Paleari Loris	L/O Label ✓	Date 10.3.15	Item 36400
	General tolerance SS-ISO-2768-1M	Unit mm	Scale 1:1.25	Sheet 1 of 2
	Packaging Carton 20 sets/Packed R+R	Material Zinc coated steel		
	Device	Pair Weight 0.864 Kg	03T	



Scale
1:2.25

Designed by Cattaneo Mattia	Checked and Approved by Paleari Loris	L/O Label ✓	Date 10.3.15	Item 36400
	General tolerance SS-ISO-2768-1M		Unit mm	Scale 1:2
	Packaging Carton 20 sets/Packed R+R		Material Zinc coated steel	
	Device		Pair Weight 0.864 Kg	03T