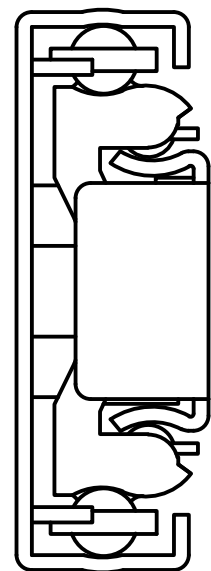
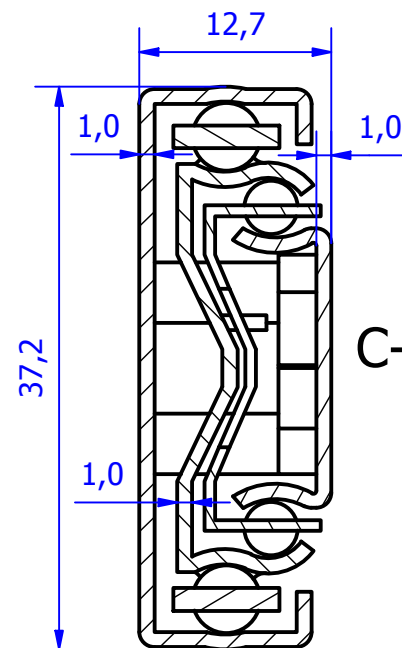


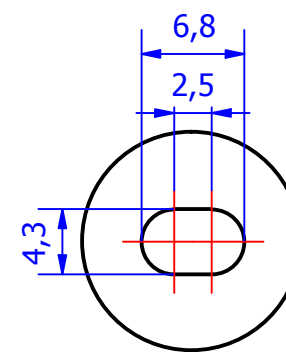
B (2 : 1)



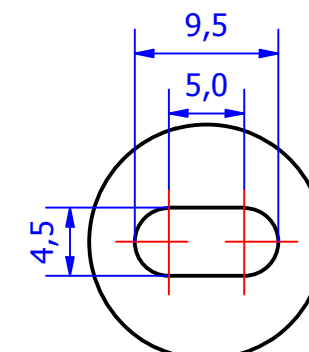
A (2 : 1)



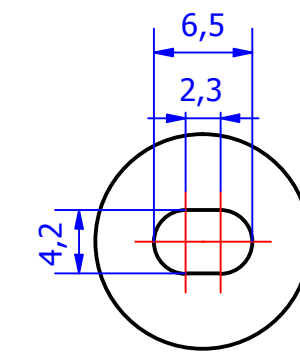
C-C (2 : 1)




D (2 : 1)

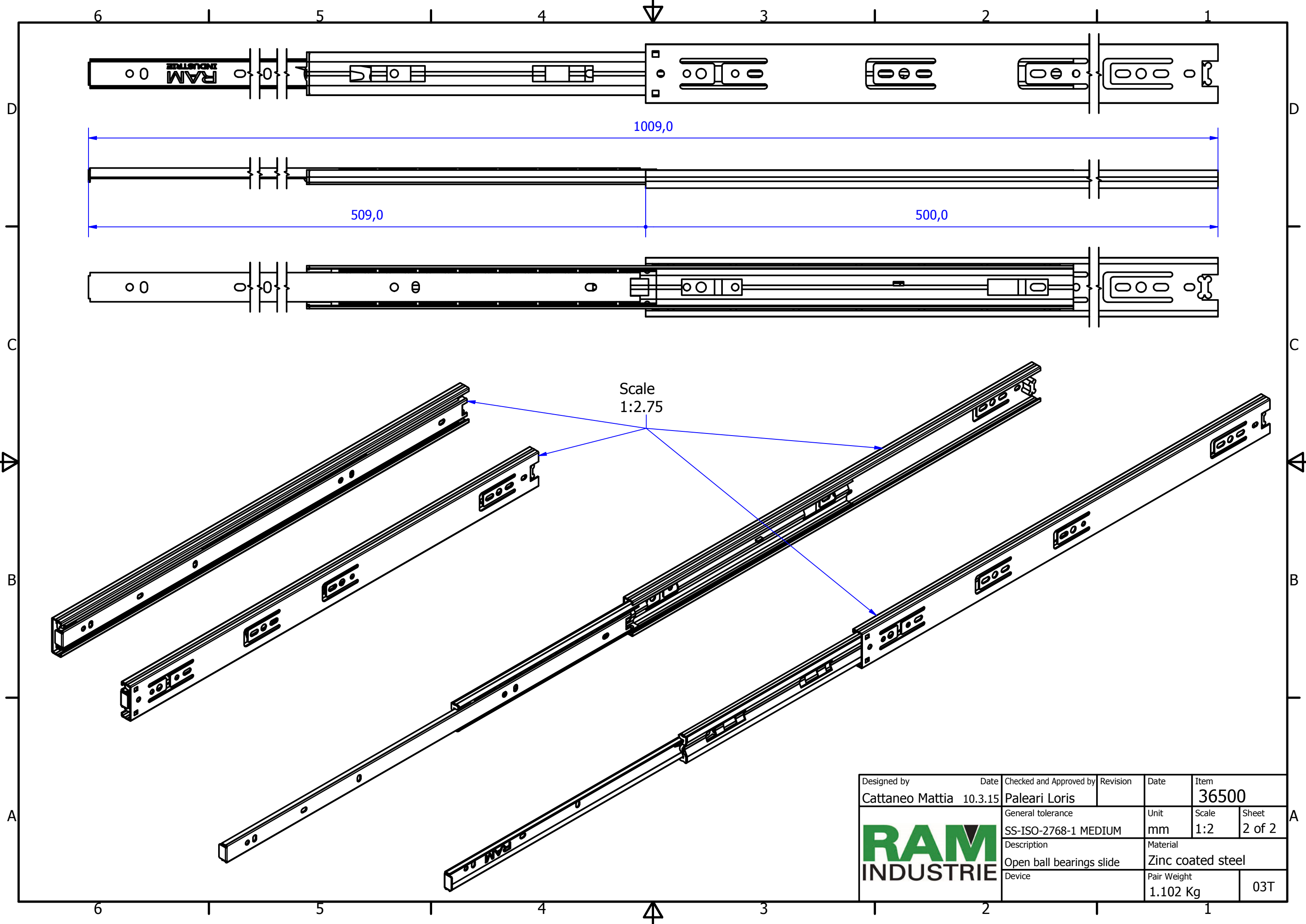


E (2 : 1)




F (2 : 1)

Designed by Cattaneo Mattia	Date 10.3.15	Checked and Approved by Paleari Loris	Revision	Date	Item 36500
		General tolerance SS-ISO-2768-1 MEDIUM		Unit mm	Scale 1:1.5
		Description Closed ball bearings slide		Material Zinc coated steel	
Device				Pair Weight 1.102 Kg	03T



Scale  
1:2.75

Designed by Cattaneo Mattia	Date 10.3.15	Checked and Approved by Paleari Loris	Revision	Date	Item 36500
		General tolerance SS-ISO-2768-1 MEDIUM		Unit mm	Scale 1:2
		Description Open ball bearings slide		Material Zinc coated steel	
Device		Pair Weight 1.102 Kg		03T	