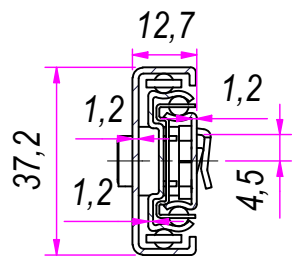
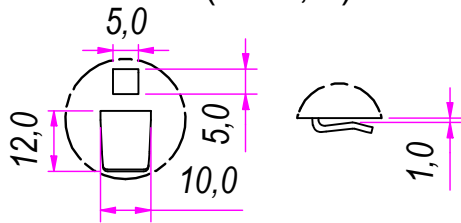



SEZ. A-A

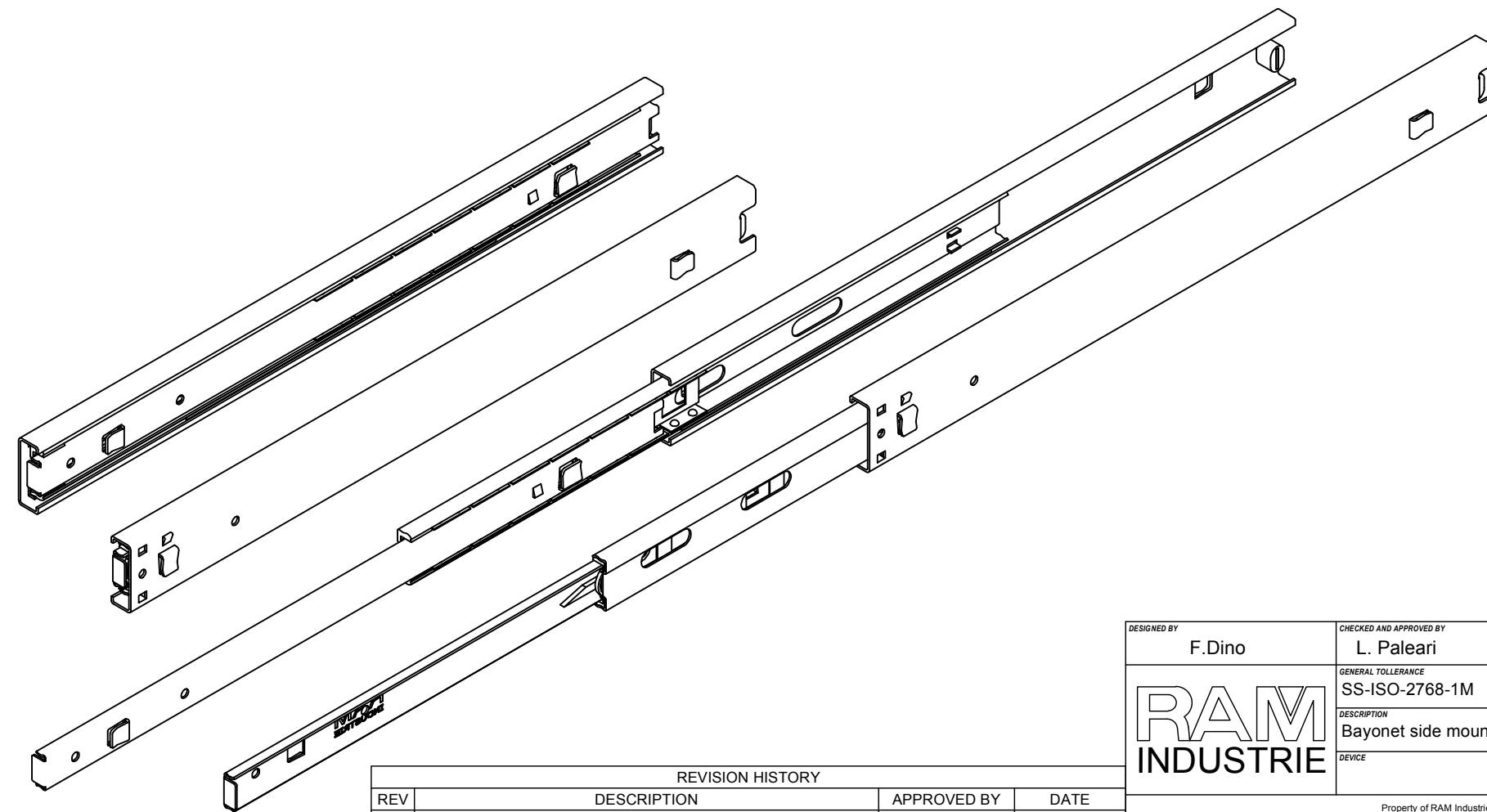
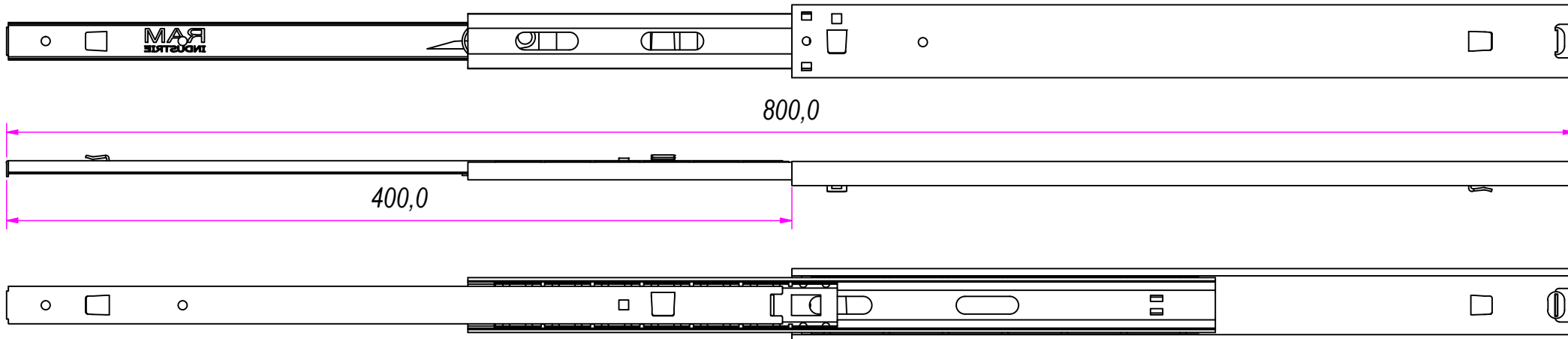


B (1 : 1,5)




| REVISION HISTORY |             |             |            |
|------------------|-------------|-------------|------------|
| REV              | DESCRIPTION | APPROVED BY | DATE       |
| 1                | Added teeth | F.Dino      | 03/11/2016 |

|   |                                       |                                      |                               |                 |
|---|---------------------------------------|--------------------------------------|-------------------------------|-----------------|
| DESIGNED BY<br>F.Dino   | CHECKED AND APPROVED BY<br>L. Paleari | DATE<br>03/11/2016                   | CODE<br>37400                 |                 |
|    |                                       | GENERAL TOLLERANCE<br>SS-ISO-2768-1M | UNIT<br>mm                    | SCALE<br>1 of 2 |
|   |                                       | DESCRIPTION<br>Bayonet side mounting | MATERIAL<br>Cold rolled steel |                 |
| DEVICE  |                                       | PAIR WEIGHT<br>0,99 Kg               | 02C                           |                 |
| Property of RAM Industrie.<br>Without its written authorization the present drawing shall neither be used for construction anyway, communicated to third parties, nor reproduced. |                                       |                                      |                               |                 |



| REVISION HISTORY |             |             |            |
|------------------|-------------|-------------|------------|
| REV              | DESCRIPTION | APPROVED BY | DATE       |
| 1                | Added teeth | F.Dino      | 03/11/2016 |

|   |                                       |                                      |                               |                          |
|---|---------------------------------------|--------------------------------------|-------------------------------|--------------------------|
| DESIGNED BY<br>F.Dino   | CHECKED AND APPROVED BY<br>L. Paleari | DATE<br>03/11/2016                   | CODE<br>37400                 |                          |
|  |                                       | GENERAL TOLLERANCE<br>SS-ISO-2768-1M | UNIT<br>mm                    | SCALE<br>SHEET<br>2 of 2 |
|   |                                       | DESCRIPTION<br>Bayonet side mounting | MATERIAL<br>Cold rolled steel | PAIR WEIGHT<br>0,99 Kg   |

Property of RAM Industrie.  
Without its written authorization the present drawing shall neither be used for construction anyway, communicated to third parties, nor reproduced.