
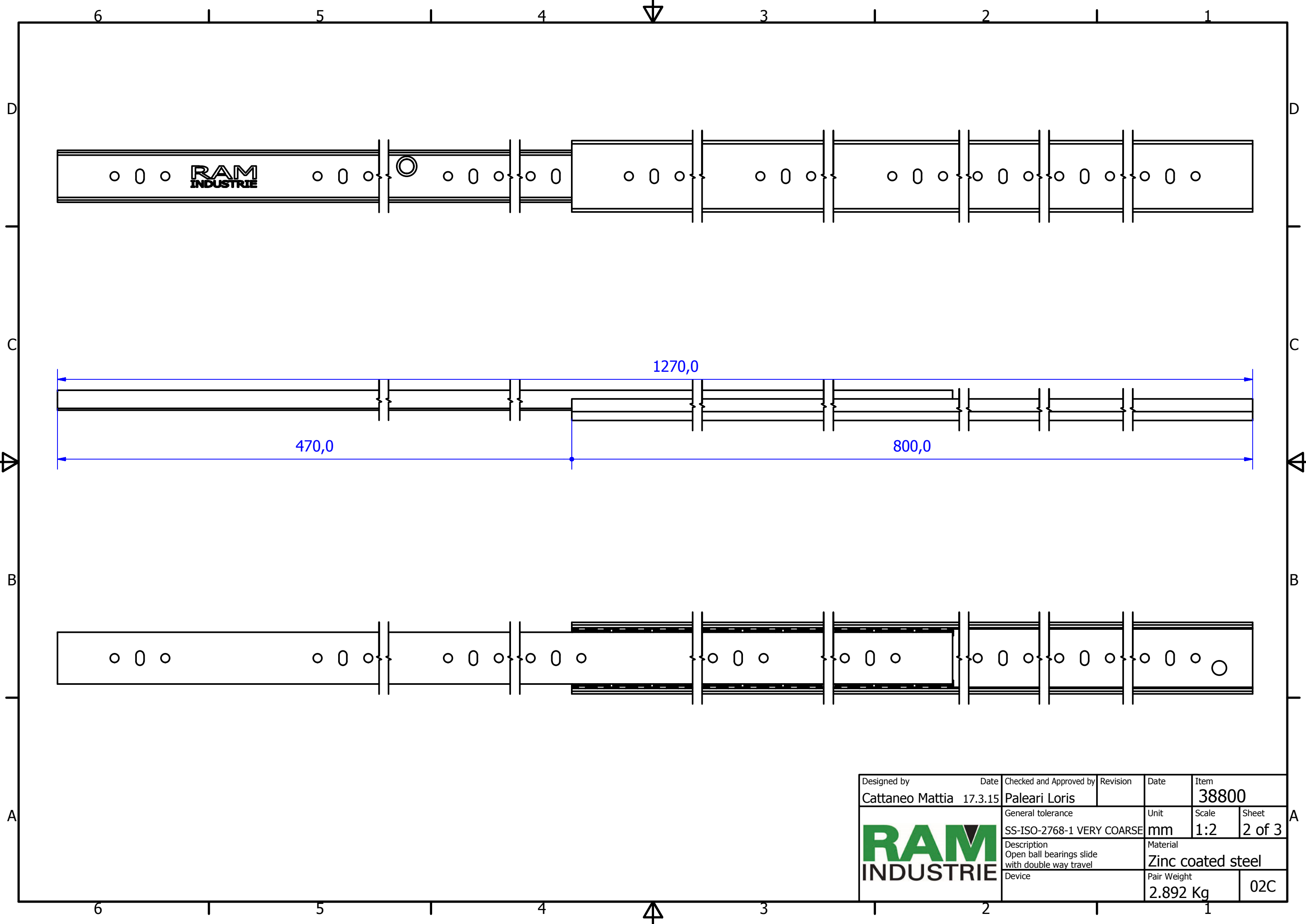

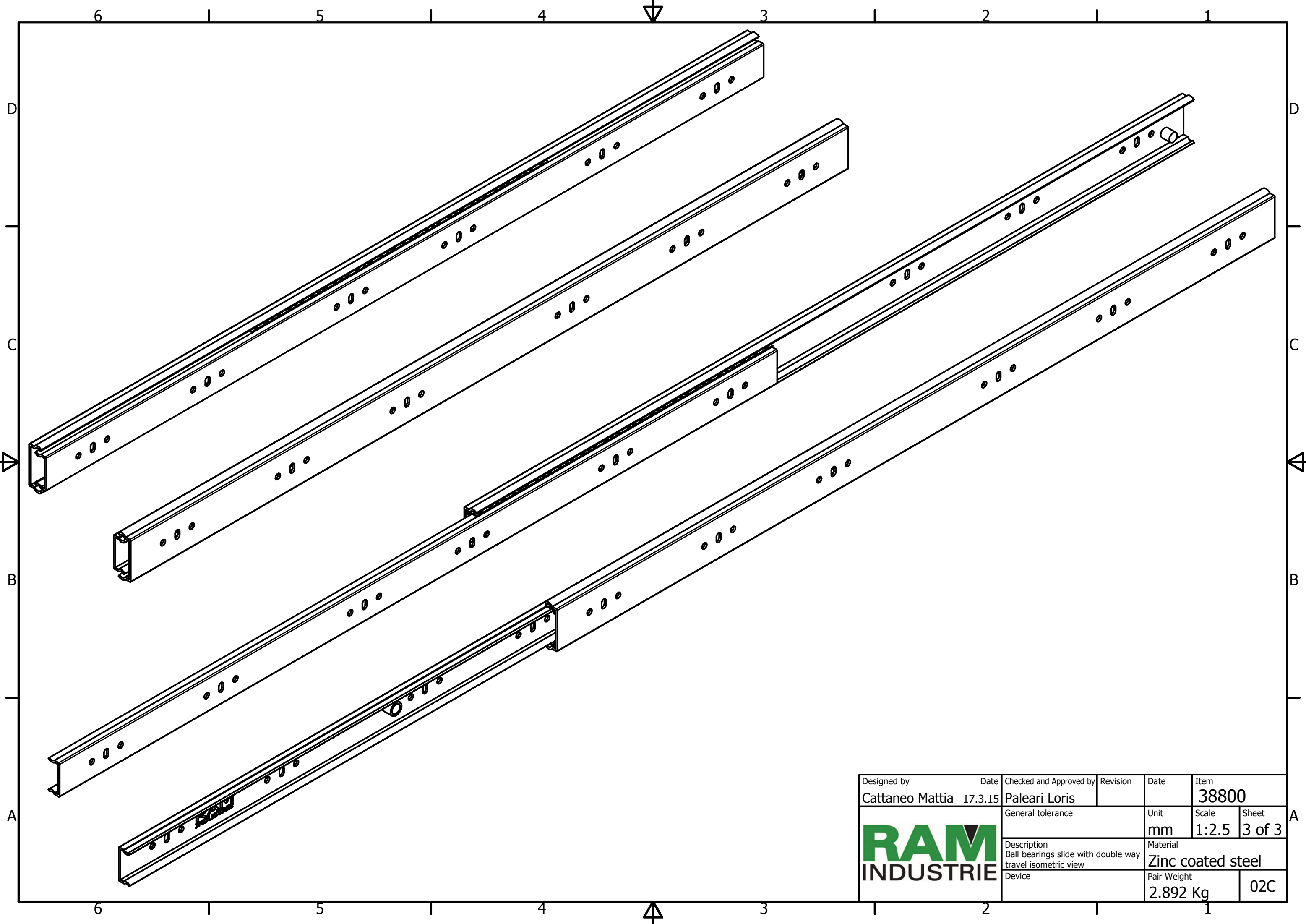



Designed by Cattaneo Mattia	Date 17.3.15	Checked and Approved by Paleari Loris	Revision	Date	Item 38800
			General tolerance SS-ISO-2768-1 MEDIUM	Unit mm	Scale 1:1.5
			Description Closed ball bearings slide with double way travel	Material Zinc coated steel	
Device				Pair Weight 2.892 Kg	02C

A



Designed by Cattaneo Mattia	Date 17.3.15	Checked and Approved by Paleari Loris	Revision	Date	Item 38800
	General tolerance SS-ISO-2768-1 VERY COARSE		Unit mm	Scale 1:2	Sheet 2 of 3
	Description Open ball bearings slide with double way travel			Material Zinc coated steel	
	Device			Pair Weight 2.892 Kg	02C



Designed by Cattaneo Mattia	Date 17.3.15	Checked and Approved by Paleari Loris	Revision	Date	Item 38800
		General tolerance		Unit mm	Scale 1:2.5
		Description Ball bearings slide with double way travel isometric view		Material Zinc coated steel	
Device		Pair Weight 2.892 Kg		Sheet 3 of 3	
				02C	