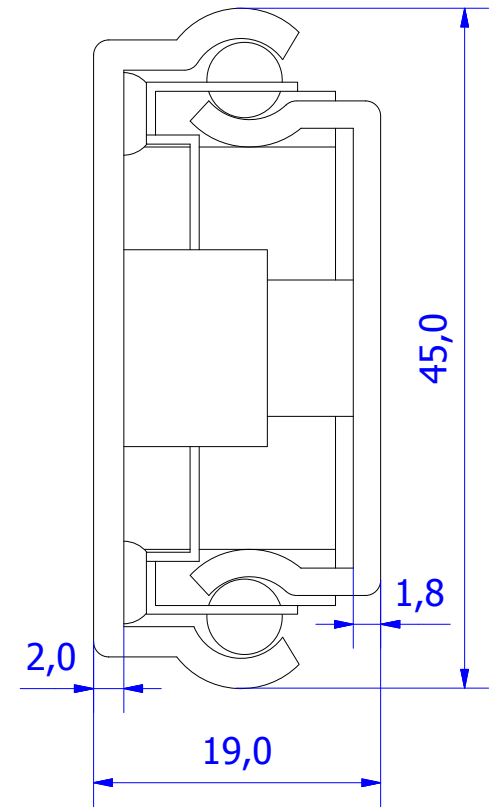
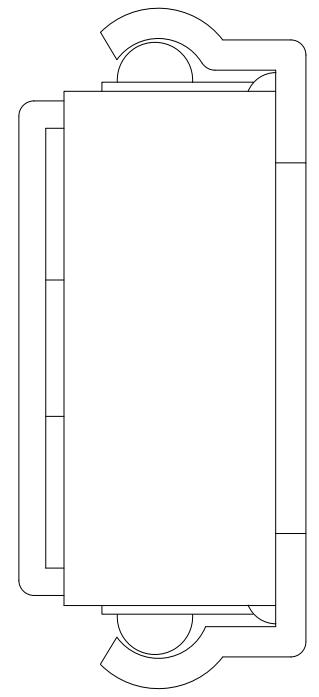


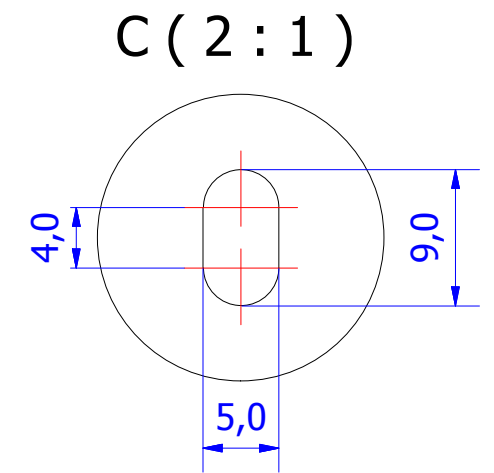
Cage with 12 ball bearings pairs




A (2 : 1)

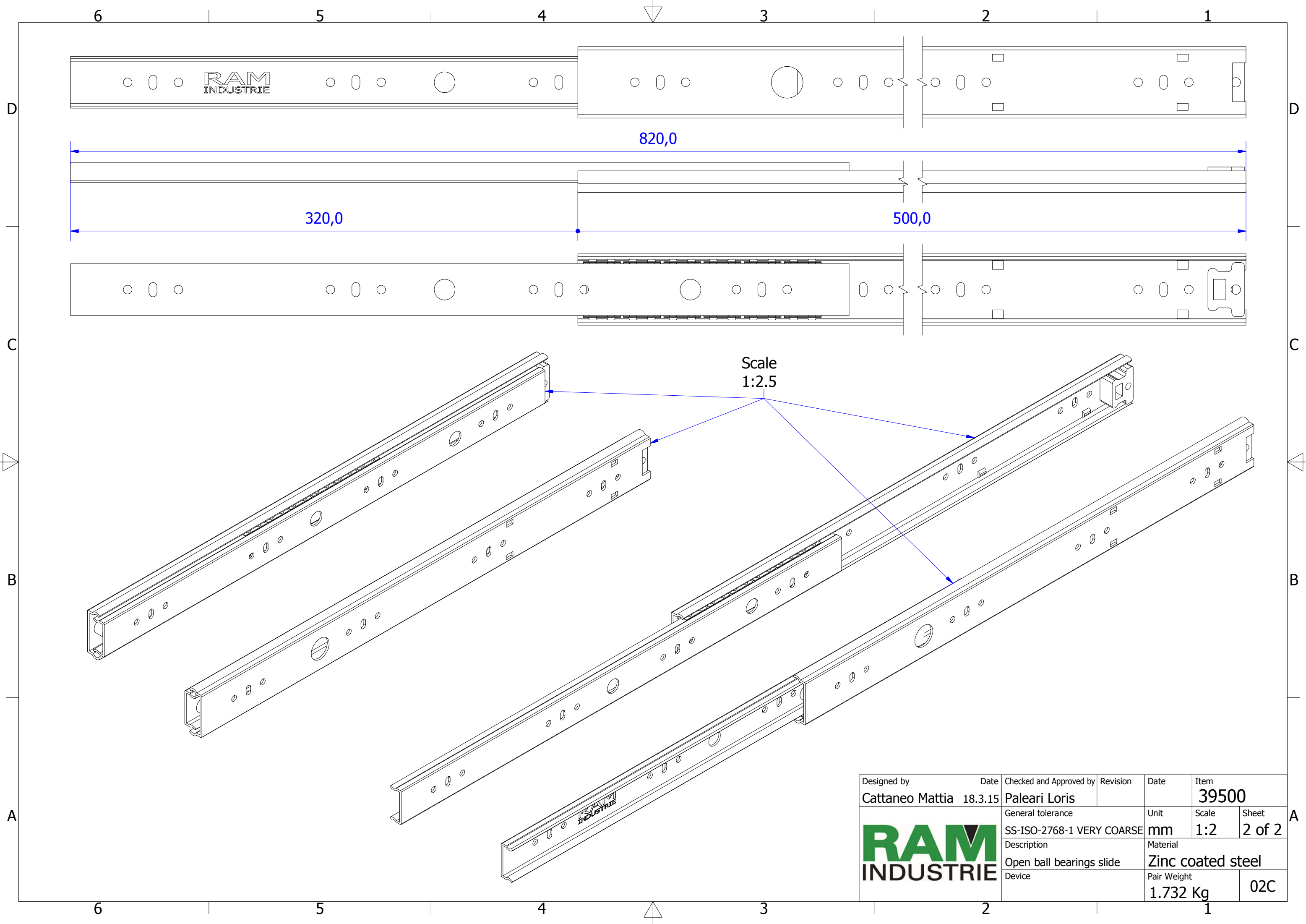


B (2 : 1)




C (2 : 1)

Designed by Cattaneo Mattia	Date 18.3.15	Checked and Approved by Paleari Loris	Revision	Date	Item 39500
		General tolerance SS-ISO-2768-1 MEDIUM	Unit mm	Scale 1:1.5	Sheet 1 of 2
		Description Closed ball bearings slide	Material Zinc coated steel		
		Device	Pair Weight 1.732 Kg	02C	



Scale
1:2.5

Designed by Cattaneo Mattia	Date 18.3.15	Checked and Approved by Paleari Loris	Revision	Date	Item 39500
		General tolerance SS-ISO-2768-1 VERY COARSE	Unit mm	Scale 1:2	Sheet 2 of 2
		Description Open ball bearings slide	Material Zinc coated steel		
		Device	Pair Weight 1.732 Kg	02C	