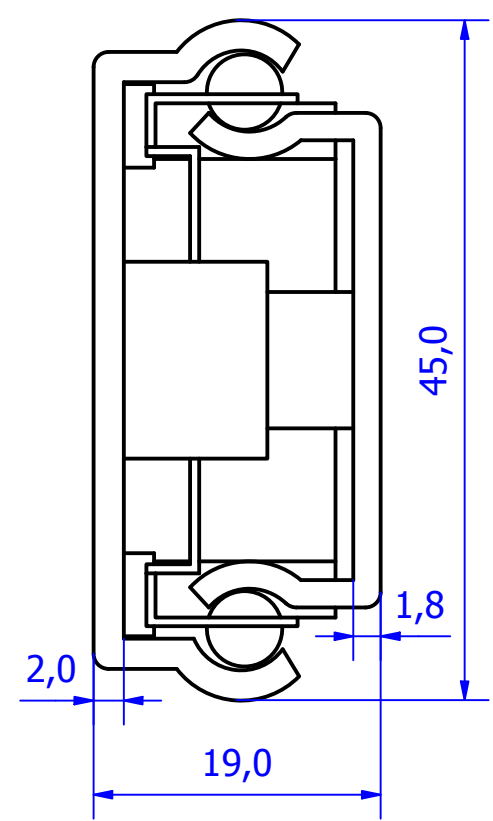
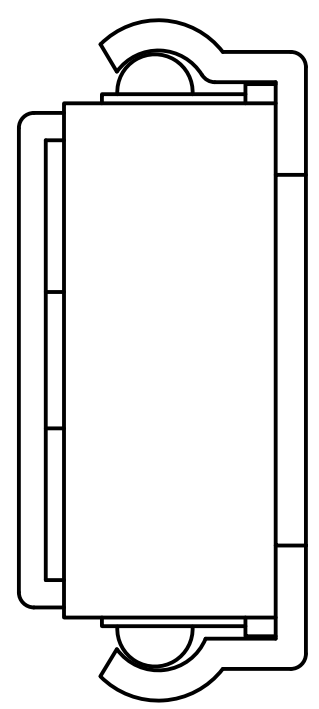


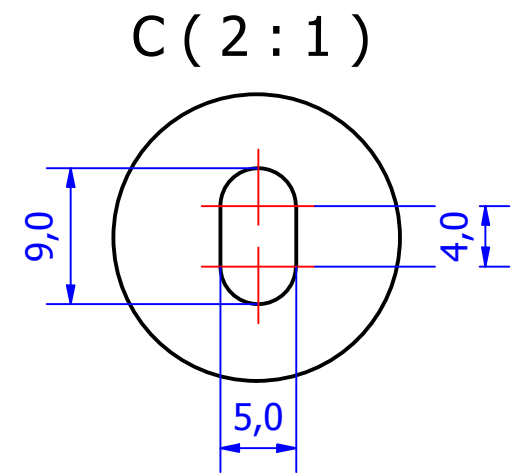
Cage with 18 ball bearings pairs




A (2 : 1)

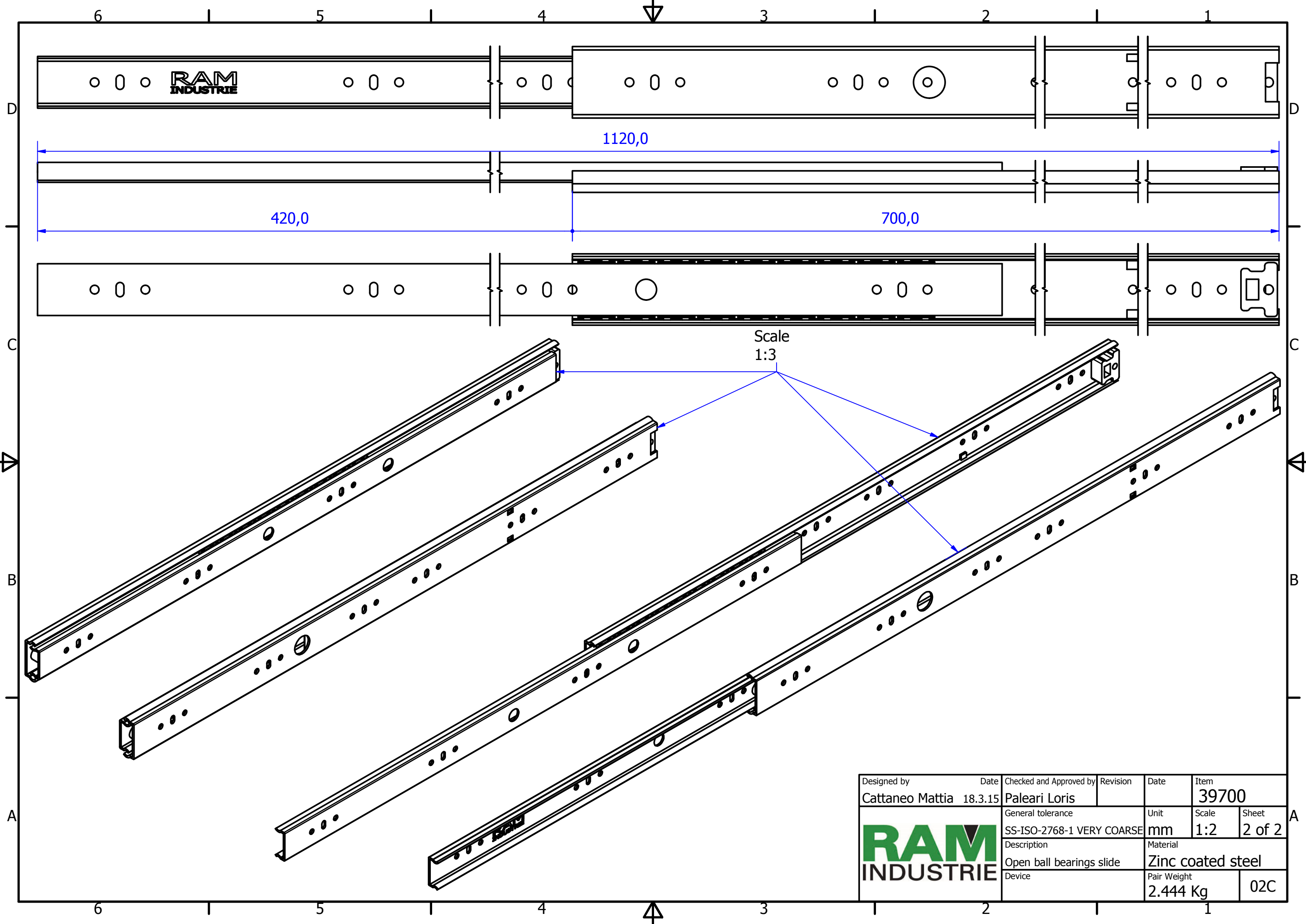


B (2 : 1)




C (2 : 1)

Designed by Cattaneo Mattia	Date 18.3.15	Checked and Approved by Paleari Loris	Revision	Date	Item 39700
		General tolerance SS-ISO-2768-1 MEDIUM		Unit mm	Scale 1:1.5
		Description Closed ball bearings slide		Material Zinc coated steel	
Device				Pair Weight 2.444 Kg	02C



Scale
1:3

Designed by Cattaneo Mattia	Date 18.3.15	Checked and Approved by Paleari Loris	Revision	Date	Item 39700
		General tolerance SS-ISO-2768-1 VERY COARSE	Unit mm	Scale 1:2	Sheet 2 of 2
		Description Open ball bearings slide	Material Zinc coated steel		
Device		Pair Weight 2.444 Kg	02C		