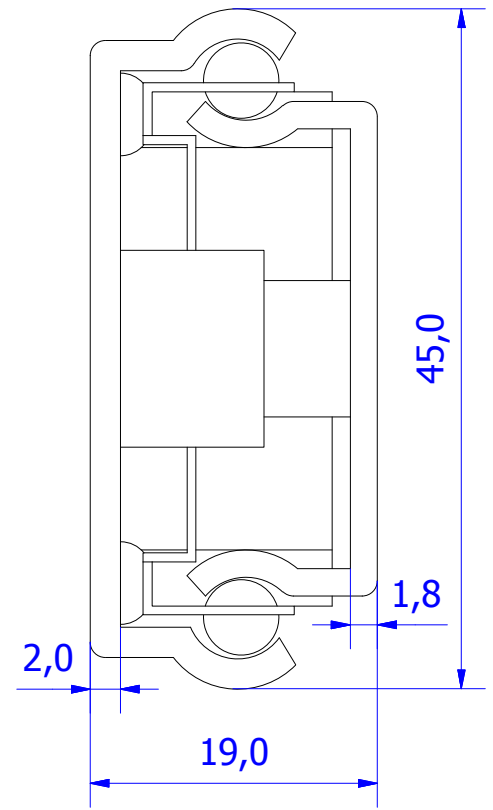
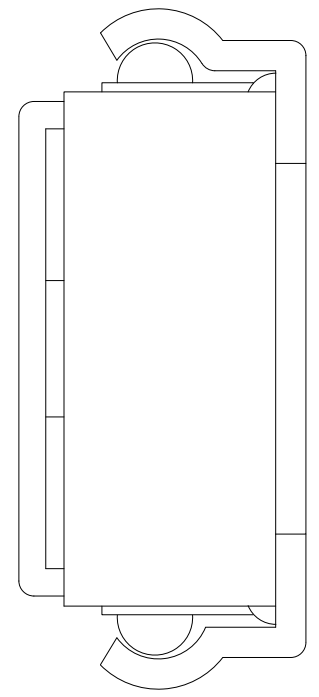


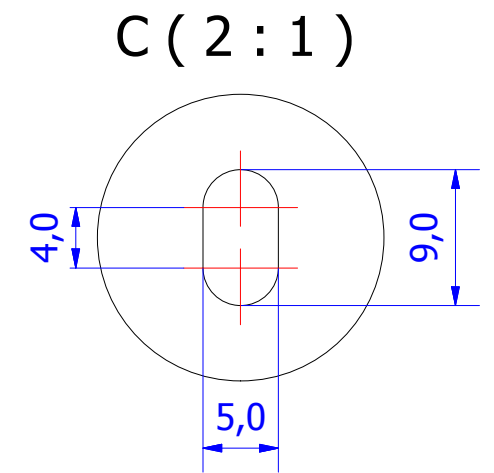
Cage with 28 ball bearings pairs




A ( 2 : 1 )

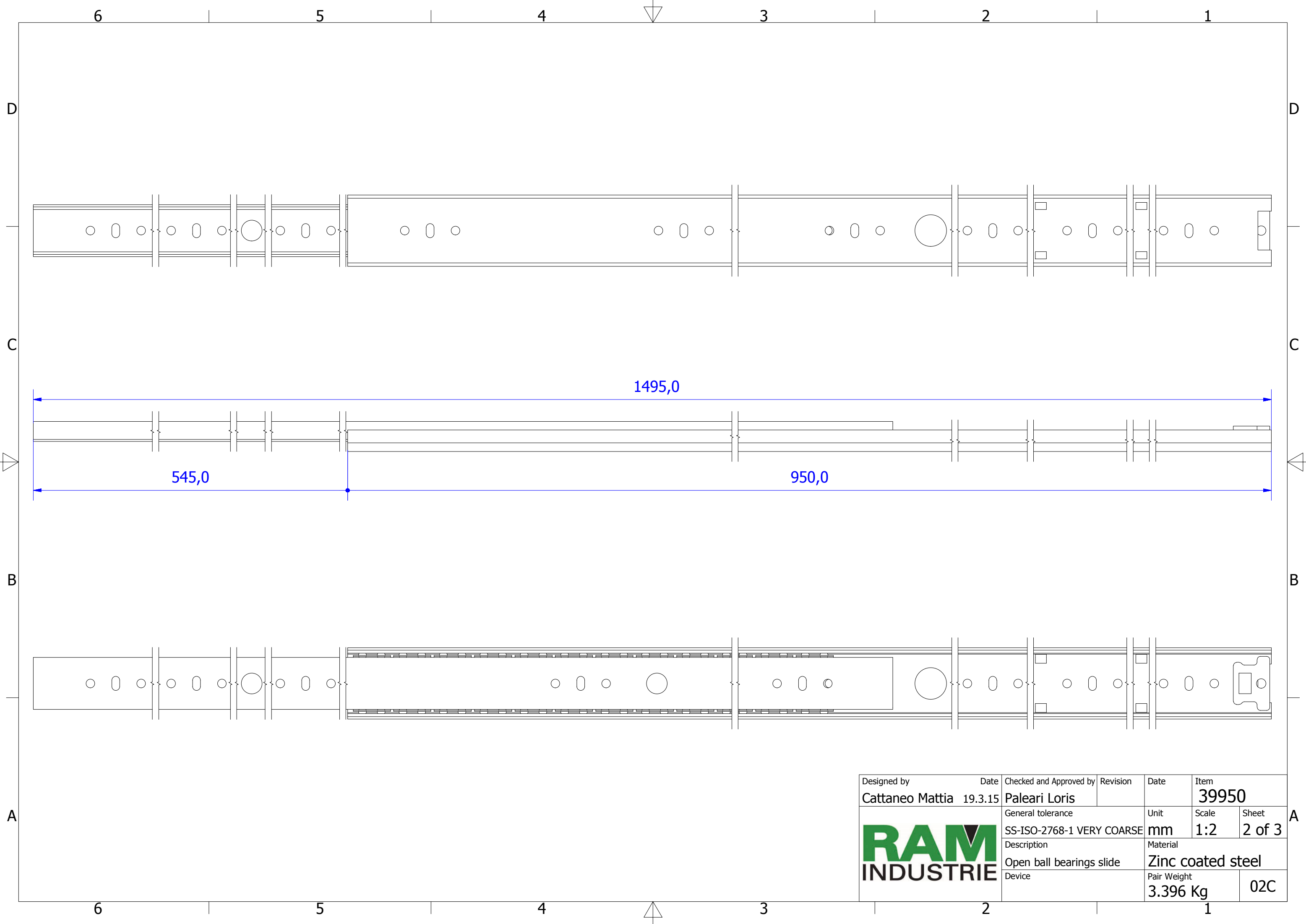



B ( 2 : 1 )

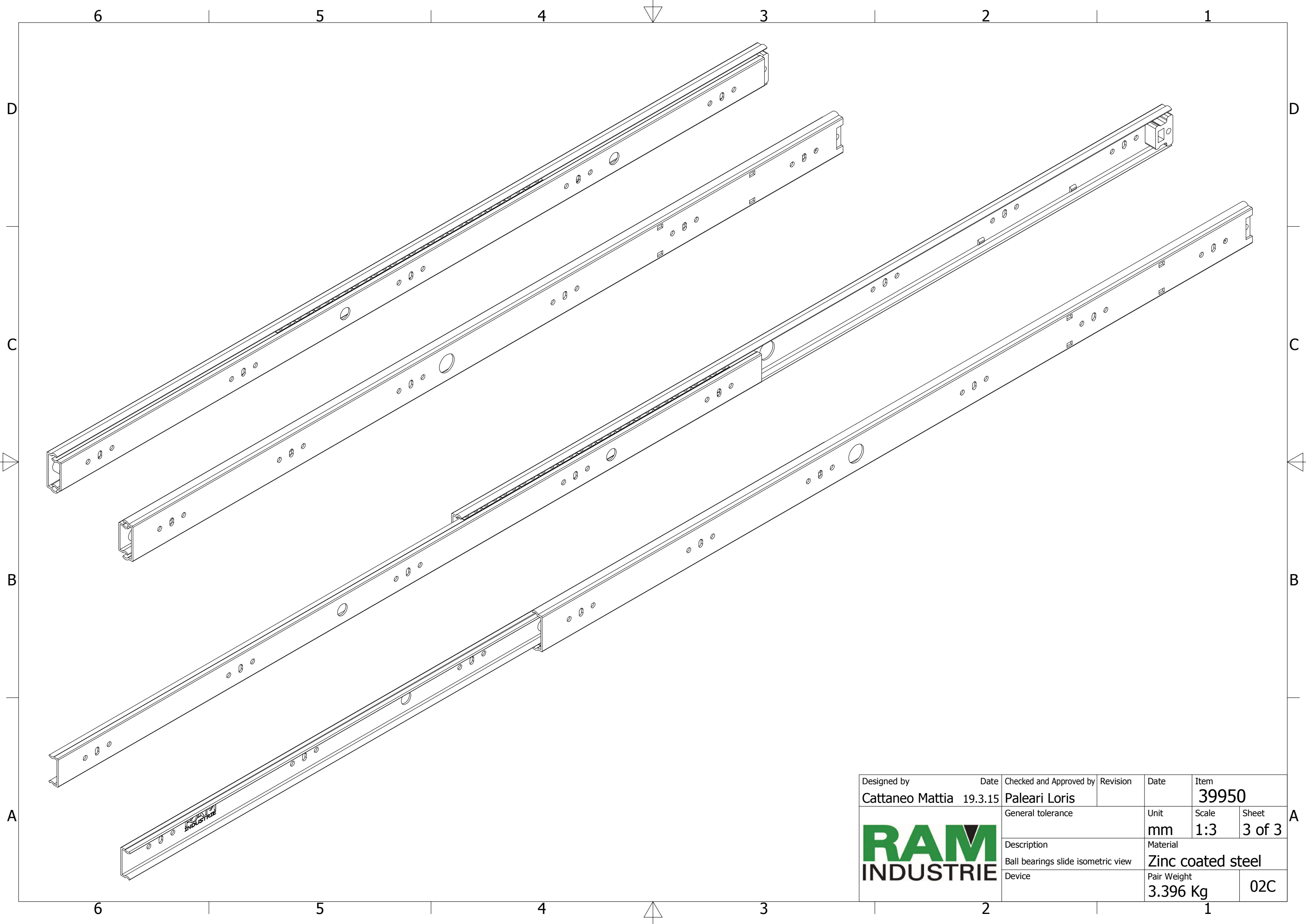



C ( 2 : 1 )

Designed by <b>Cattaneo Mattia</b>	Date 19.3.15	Checked and Approved by <b>Paleari Loris</b>	Revision	Date	Item <b>39950</b>
		General tolerance SS-ISO-2768-1 MEDIUM	Unit mm	Scale 1:1.5	Sheet 1 of 3
		Description Closed ball bearings slide	Material Zinc coated steel		
		Device	Pair Weight 3.396 Kg	02C	



Designed by <b>Cattaneo Mattia</b>	Date 19.3.15	Checked and Approved by <b>Paleari Loris</b>	Revision	Date	Item <b>39950</b>
	General tolerance SS-ISO-2768-1 VERY COARSE		Unit <b>mm</b>	Scale <b>1:2</b>	Sheet <b>2 of 3</b>
	Description Open ball bearings slide		Material <b>Zinc coated steel</b>		
	Device		Pair Weight <b>3.396 Kg</b>	<b>02C</b>	



Designed by <b>Cattaneo Mattia</b>	Date 19.3.15	Checked and Approved by <b>Paleari Loris</b>	Revision	Date	Item <b>39950</b>
			General tolerance		Unit <b>mm</b>
			Description Ball bearings slide isometric view		Scale <b>1:3</b>
Description Ball bearings slide isometric view				Material <b>Zinc coated steel</b>	
Device				Pair Weight <b>3.396 Kg</b>	
					<b>02C</b>