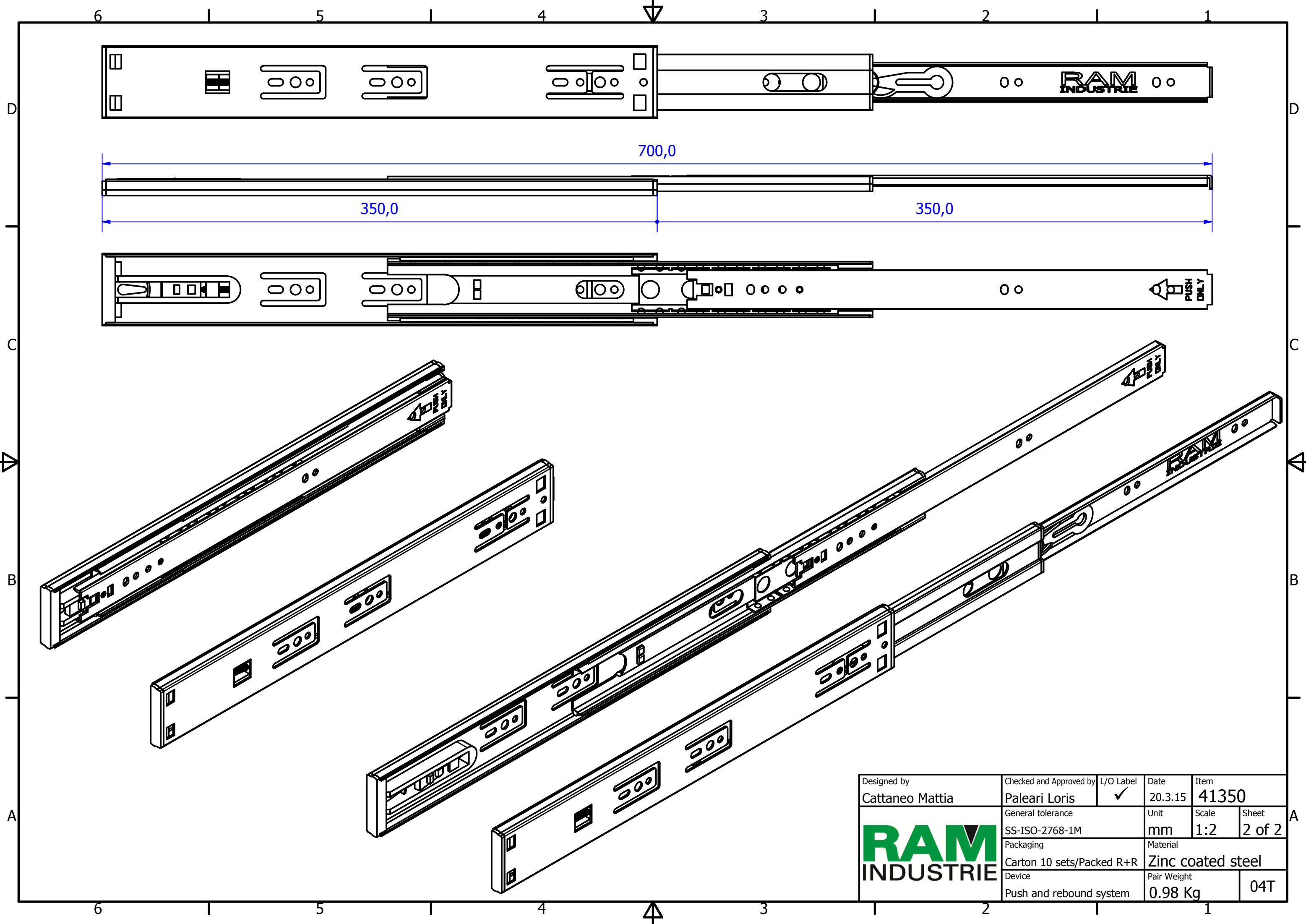



Designed by Cattaneo Mattia	Checked and Approved by Paleari Loris	L/O Label ✓	Date 20.3.15	Item 41350
	General tolerance SS-ISO-2768-1M	Unit mm	Scale 1:1	Sheet 1 of 2
	Packaging Carton 10 sets/Packed R+R	Material Zinc coated steel		
	Device Push and rebound system	Pair Weight 0.98 Kg	04T	



Designed by Cattaneo Mattia	Checked and Approved by Paleari Loris	L/O Label ✓	Date 20.3.15	Item 41350
	General tolerance SS-ISO-2768-1M	Unit mm	Scale 1:2	Sheet 2 of 2
	Packaging Carton 10 sets/Packed R+R	Material Zinc coated steel		
	Device Push and rebound system	Pair Weight 0.98 Kg	04T	