
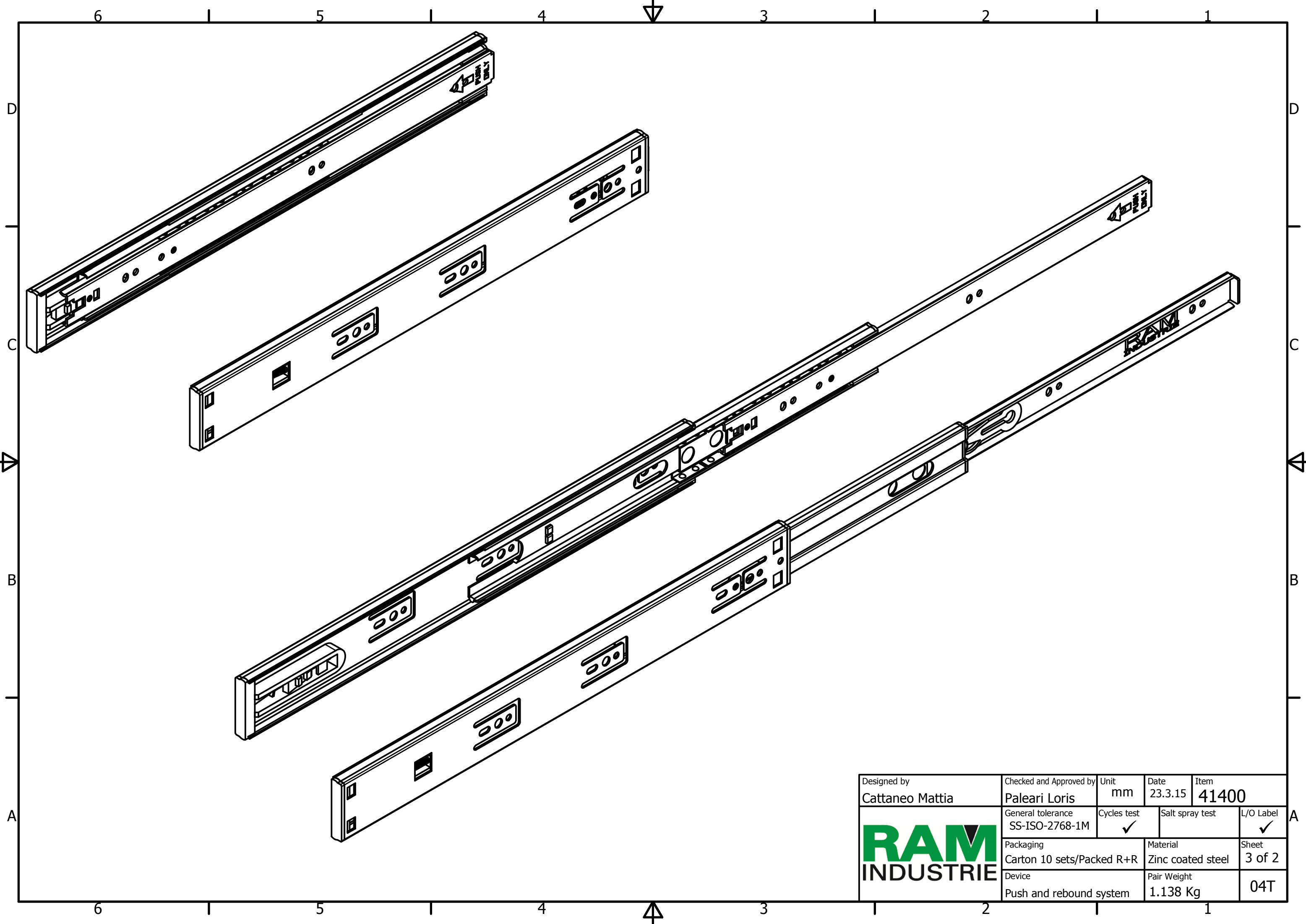



Designed by Cattaneo Mattia	Checked and Approved by Paleari Loris	Unit mm	Date 23.3.15	Item 41400
	General tolerance SS-ISO-2768-1M	Cycles test ✓	Salt spray test	L/O Label ✓
	Packaging Carton 10 sets/Packed R+R	Material Zinc coated steel	Sheet 2 of 2	
	Device Push and rebound system	Pair Weight 1.138 Kg	04T	



Designed by Cattaneo Mattia	Checked and Approved by Paleari Loris	Unit mm	Date 23.3.15	Item 41400
	General tolerance SS-ISO-2768-1M	Cycles test ✓	Salt spray test	L/O Label ✓
	Packaging Carton 10 sets/Packed R+R	Material Zinc coated steel	Sheet 3 of 2	
	Device Push and rebound system	Pair Weight 1.138 Kg	04T	