

Cage with 18 ball bearings pairs


C-C (2 : 1)

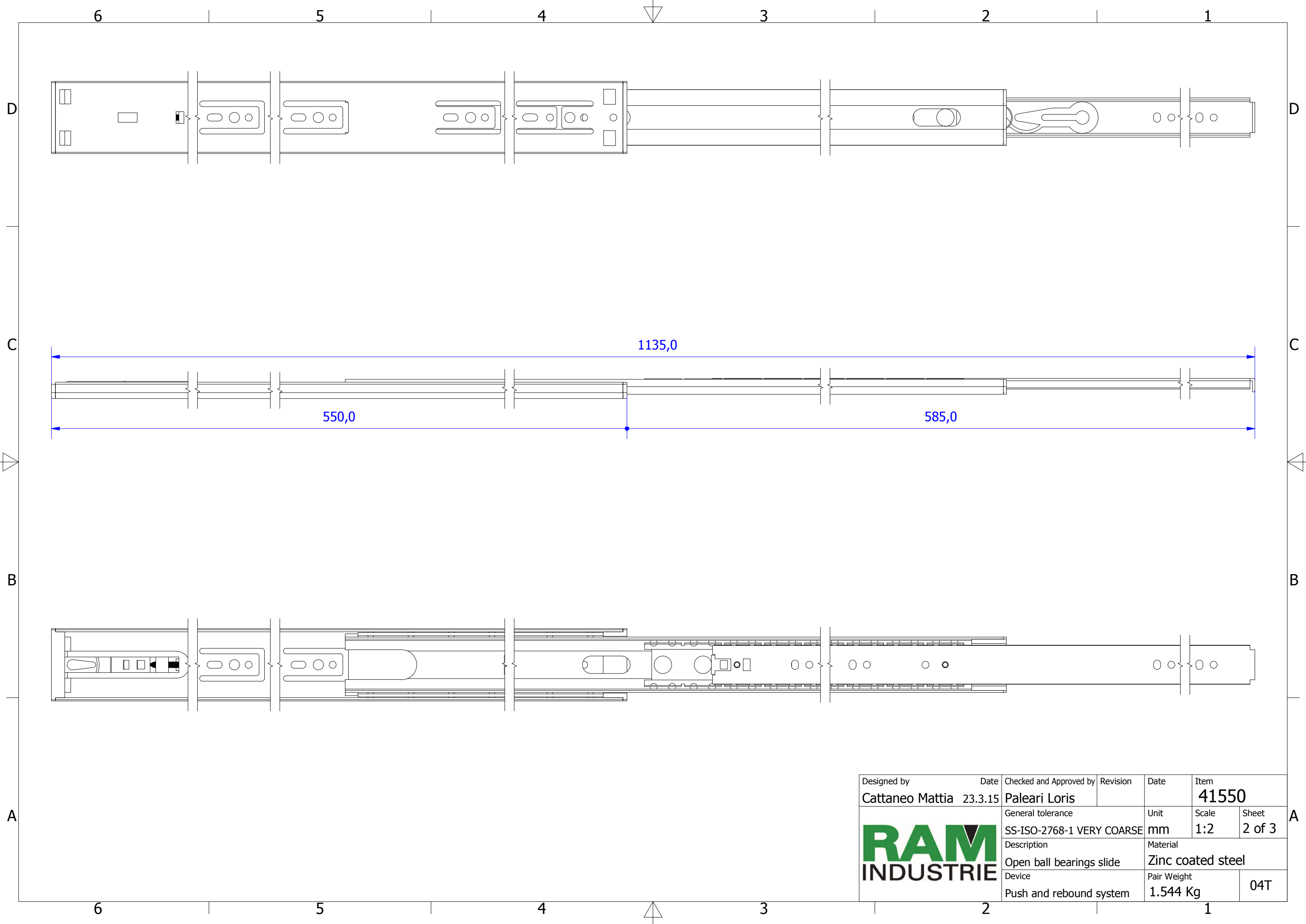
B (2 : 1)


A (2 : 1)

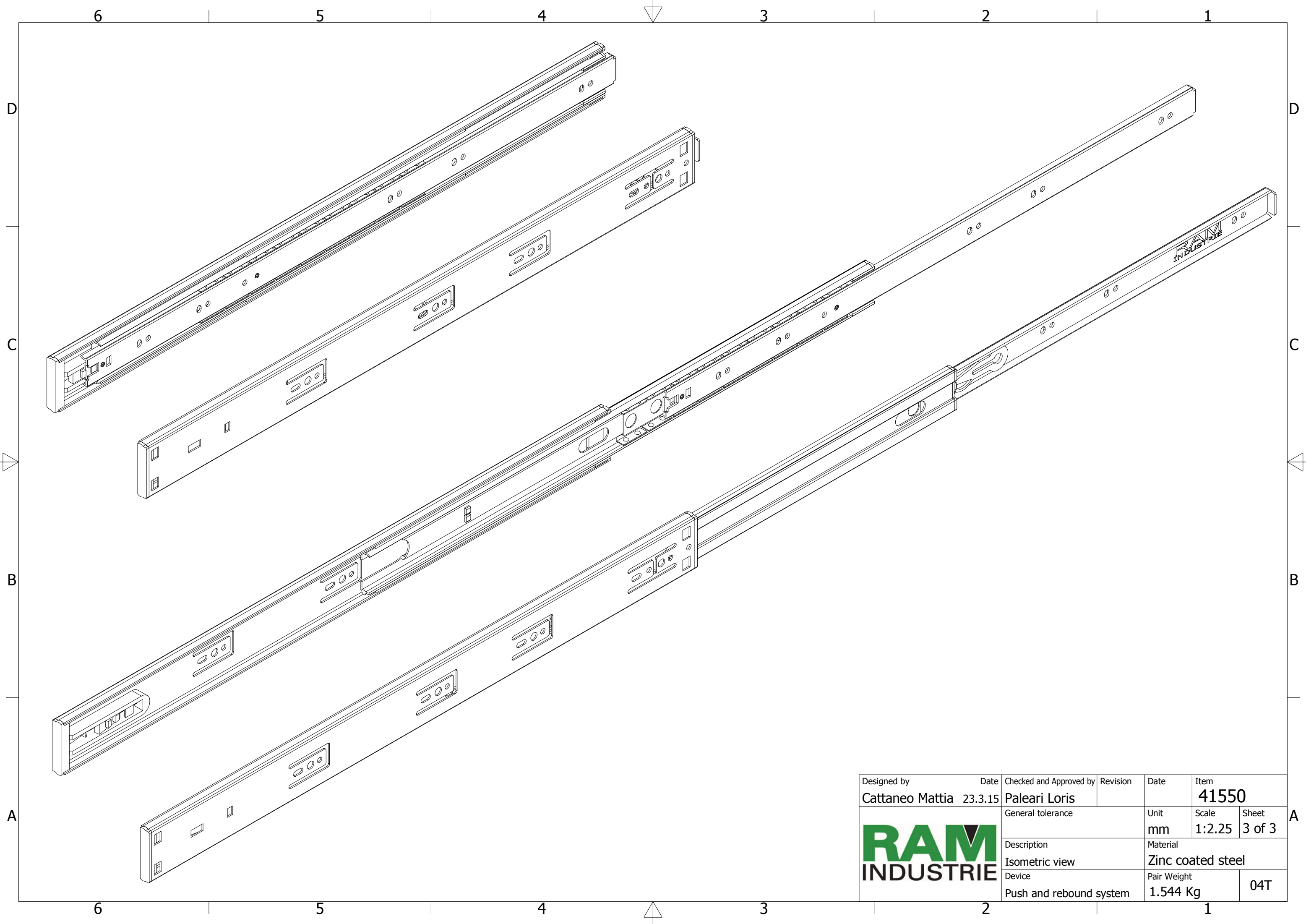
D (2 : 1)


E (2 : 1)

Designed by Cattaneo Mattia	Date 23.3.15	Checked and Approved by Paleari Loris	Revision	Date	Item 41550
		General tolerance SS-ISO-2768-1 MEDIUM		Unit mm	Scale 1:1.5
		Description Closed ball bearings slide		Material Zinc coated steel	
Device Push and rebound system		Pair Weight 1.544 Kg		04T	



Designed by Cattaneo Mattia	Date 23.3.15	Checked and Approved by Paleari Loris	Revision	Date	Item 41550
	General tolerance SS-ISO-2768-1 VERY COARSE		Unit mm	Scale 1:2	Sheet 2 of 3
	Description Open ball bearings slide		Material Zinc coated steel		
	Device Push and rebound system		Pair Weight 1.544 Kg		04T



Designed by Cattaneo Mattia	Date 23.3.15	Checked and Approved by Paleari Loris	Revision	Date	Item 41550
			General tolerance		Unit mm
			Description Isometric view		Scale 1:2.25
Device Push and rebound system			Material Zinc coated steel		Pair Weight 1.544 Kg
					04T