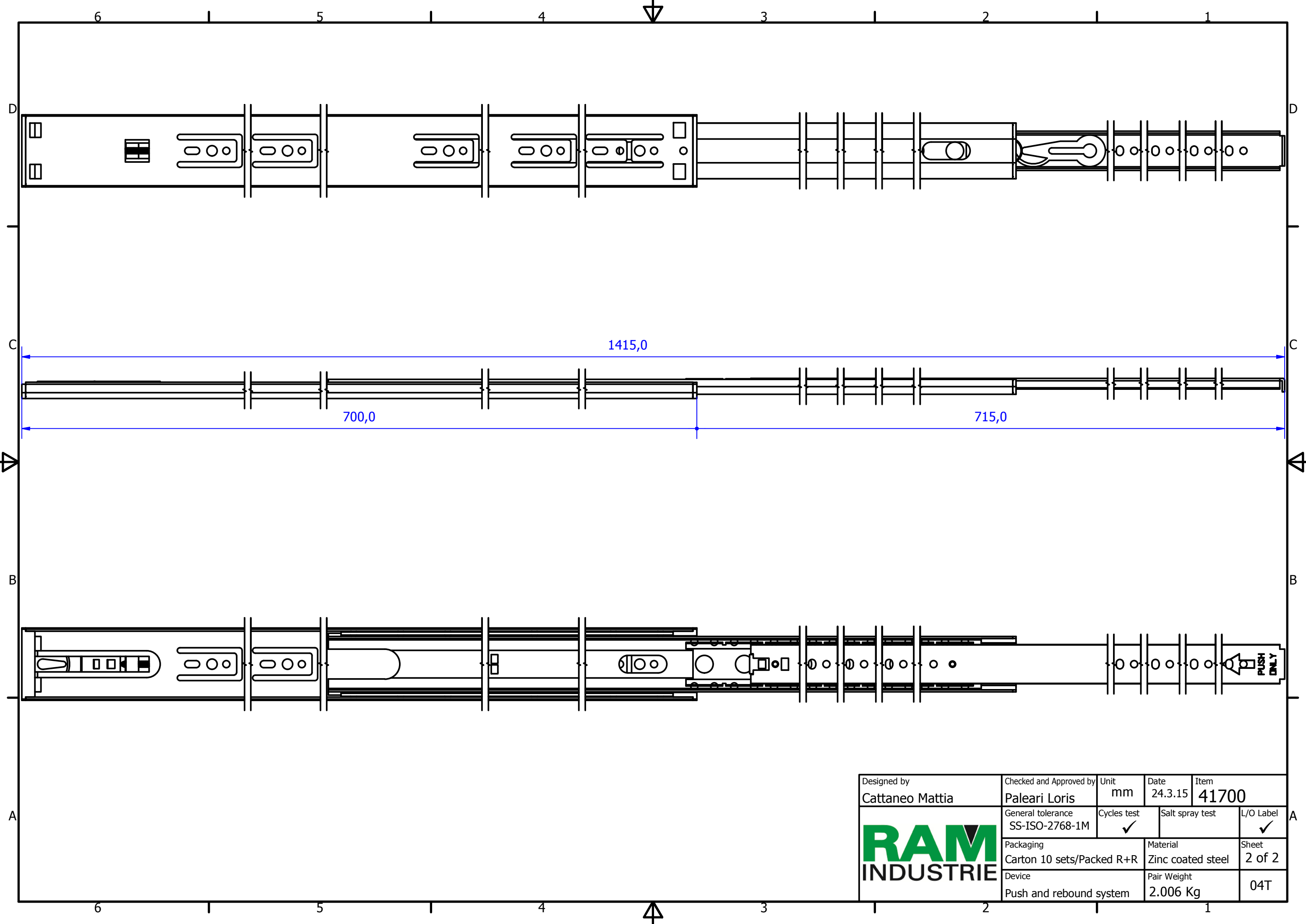

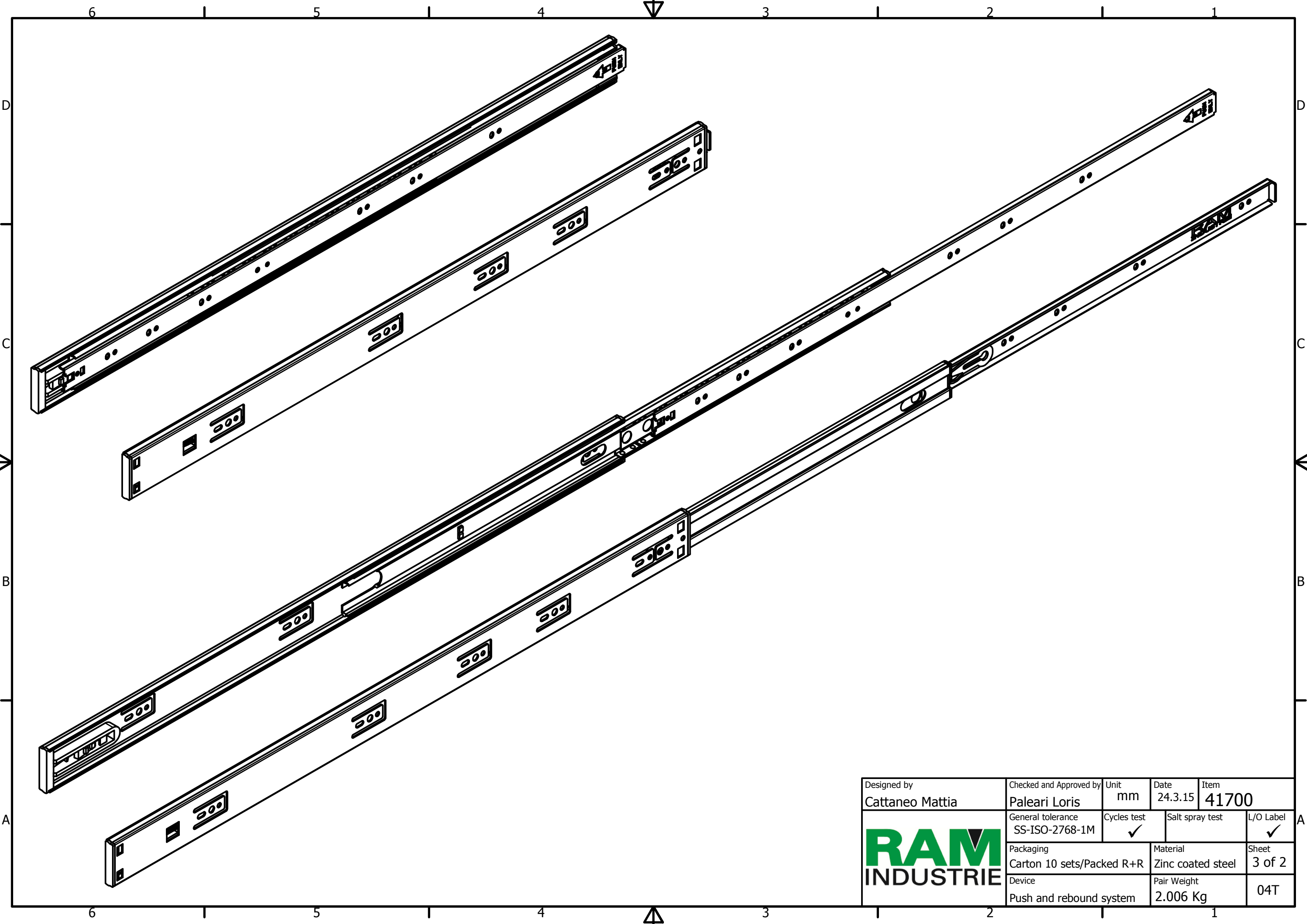



Designed by Cattaneo Mattia	Checked and Approved by Paleari Loris	Unit mm	Date 24.3.15	Item 41700
General tolerance SS-ISO-2768-1M		Cycles test ✓	Salt spray test	L/O Label ✓
Packaging Carton 10 sets/Packed R+R		Material Zinc coated steel	Sheet 1 of 2	
Device Push and rebound system		Pair Weight 2.006 Kg	04T	





Designed by Cattaneo Mattia	Checked and Approved by Paleari Loris	Unit mm	Date 24.3.15	Item 41700
	General tolerance SS-ISO-2768-1M	Cycles test ✓	Salt spray test	L/O Label ✓
	Packaging Carton 10 sets/Packed R+R	Material Zinc coated steel	Sheet 2 of 2	
	Device Push and rebound system	Pair Weight 2.006 Kg	04T	



Designed by Cattaneo Mattia	Checked and Approved by Paleari Loris	Unit mm	Date 24.3.15	Item 41700
	General tolerance SS-ISO-2768-1M	Cycles test ✓	Salt spray test	L/O Label ✓
	Packaging Carton 10 sets/Packed R+R	Material Zinc coated steel	Sheet 3 of 2	
	Device Push and rebound system	Pair Weight 2.006 Kg	04T	