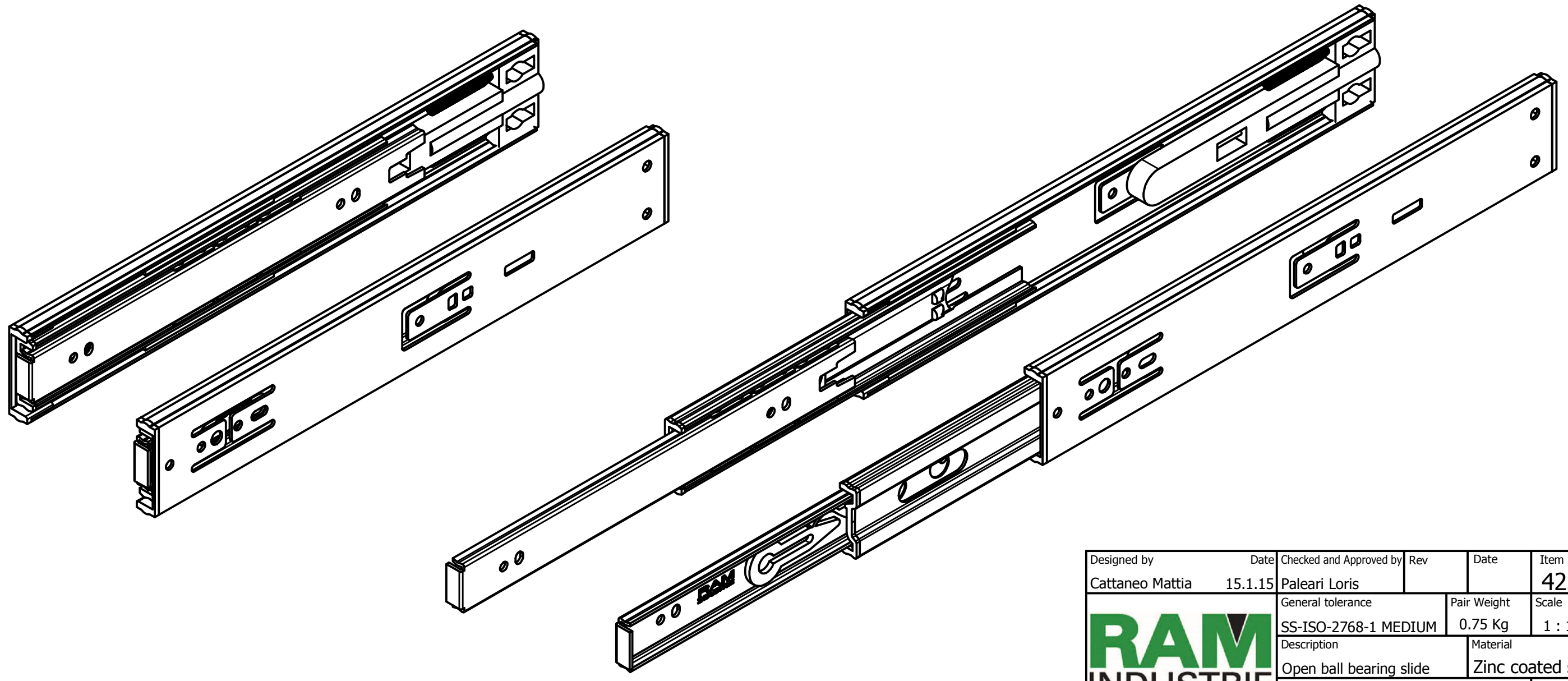
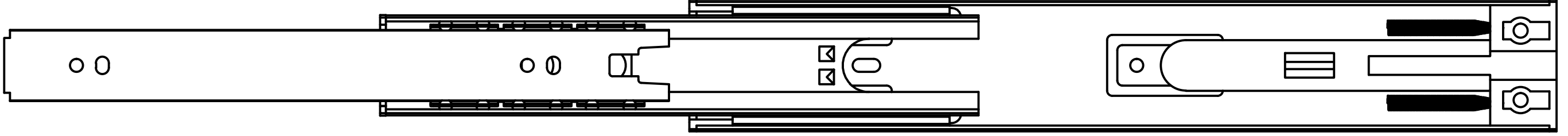
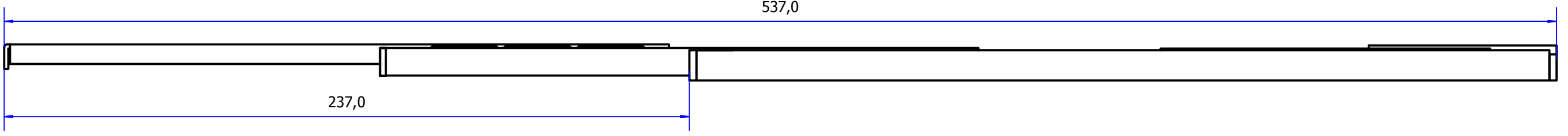
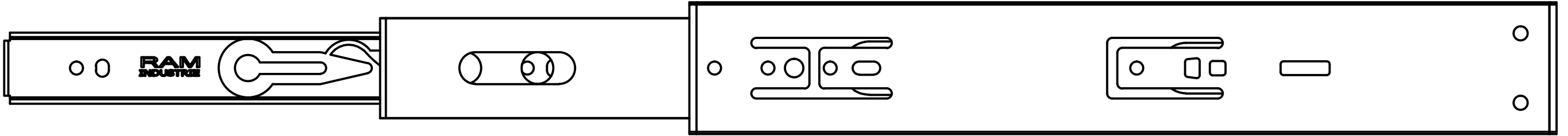


Designed by	Date	Checked and Approved by	Rev	Date	Item
Cattaneo Mattia	15.1.15	Paleari Loris			42300
General tolerance			Pair Weight	Scale	Unit
SS-ISO-2768-1 MEDIUM			0.75 Kg	1 : 1	mm
Description				Material	
Closed ball bearing slide				Zinc coated steel	
Device					Sheet
					1 of 2





Designed by	Date	Checked and Approved by	Rev	Date	Item
Cattaneo Mattia	15.1.15	Paleari Loris			42300
General tolerance			Pair Weight	Scale	Unit
SS-ISO-2768-1 MEDIUM			0.75 Kg	1 : 1.5	mm
Description			Material		
Open ball bearing slide			Zinc coated steel		
Device				Sheet	
				2 of 2	

