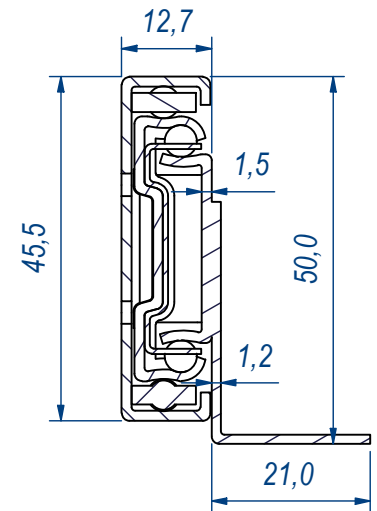
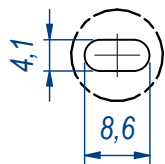


SEZ. A-A

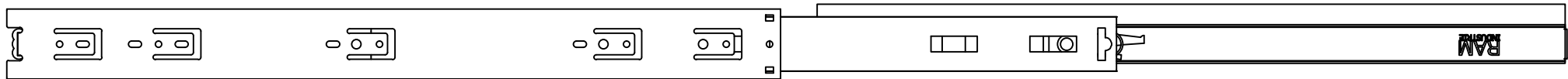


B (1:1)

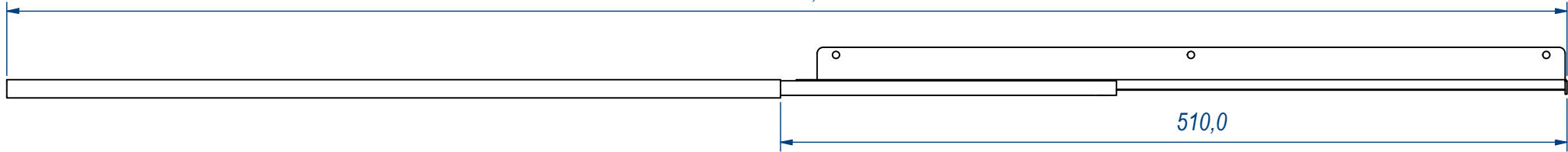


REVISION HISTORY			
REV	DESCRIPTION	APPROVED BY	DATE
1	Holes diameter from 6,1 to 4,5 (16-02)	F.Dino	29/09/2016
4	Added slotted holes (16-34)	F.Dino	08/06/2017
3	Eliminated REV 2 (18-08)	F.Dino	26/07/2018
4	Added slotted holes (18-08)	F.Dino	26/07/2018
5	Removed slotted hole (20-67)	F.Dino	09/06/2020

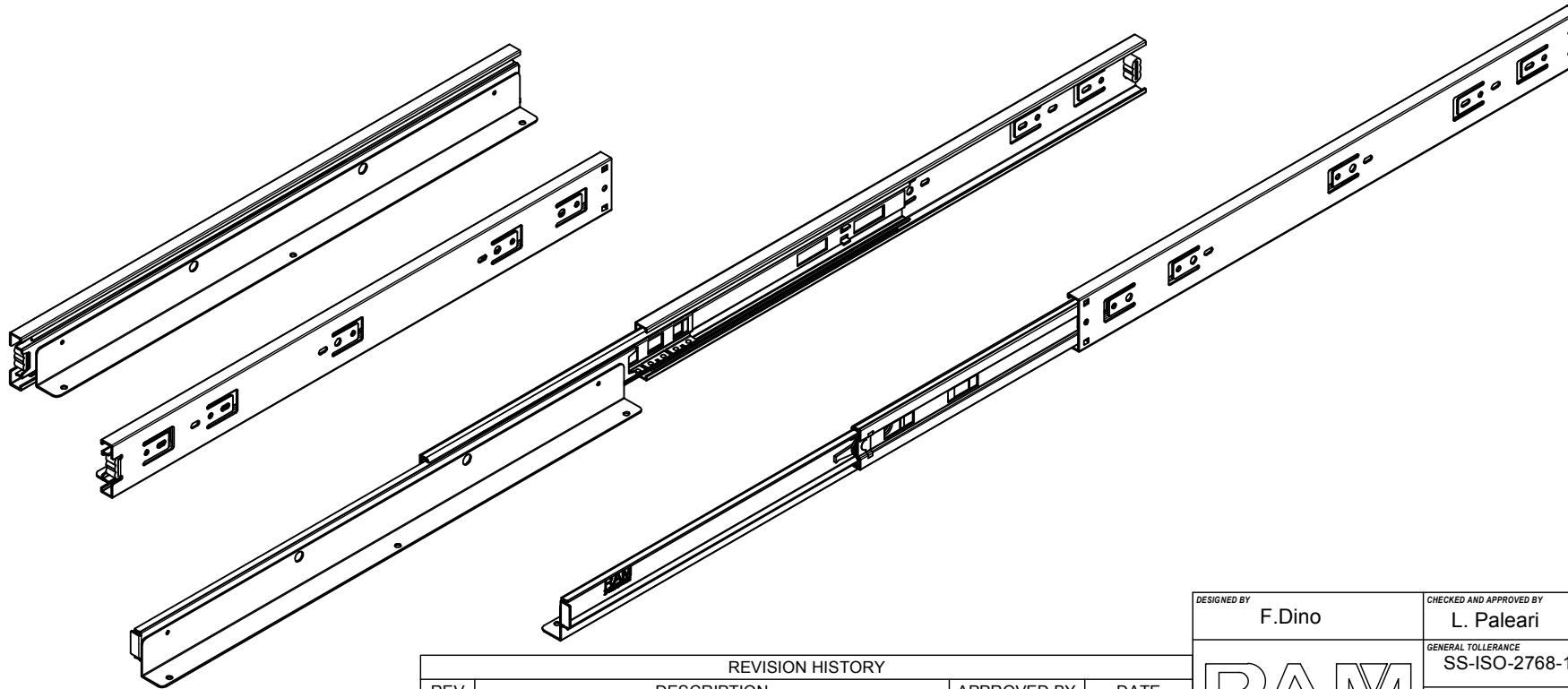
DESIGNED BY F.Dino	CHECKED AND APPROVED BY L. Paleari	REVISION	DATE 22/02/2016	CODE 44500
		GENERAL TOLLERANCE SS-ISO-2768-1M	UNIT mm	SCALE 1 of 2
		DESCRIPTION	MATERIAL Cold rolled steel	
DEVICE		PAIR WEIGHT 2,022 Kg	02C	
<small>Property of RAM Industrie. Without its written authorization the present drawing shall neither be used for construction anyway, communicated to third parties, nor reproduced.</small>				



1010,0



510,0



REVISION HISTORY			
REV	DESCRIPTION	APPROVED BY	DATE
1	Holes diameter from 6,1 to 4,5 (16-02)	F.Dino	29/09/2016
4	Added slotted holes (16-34)	F.Dino	08/06/2017
3	Eliminated REV 2 (18-08)	F.Dino	26/07/2018
4	Added slotted holes (18-08)	F.Dino	26/07/2018
5	Removed slotted hole (20-67)	F.Dino	09/06/2020

DESIGNED BY	F.Dino	CHECKED AND APPROVED BY	L. Paleari	REVISION		DATE	22/02/2016	CODE	44500
GENERAL TOLERANCE		SS-ISO-2768-1M		UNIT	mm	SCALE		SHEET	2 of 2
DESCRIPTION				MATERIAL		Cold rolled steel			
DEVICE				PAIR WEIGHT		2,022 Kg	02C		

**RAM**  
INDUSTRIE

Property of RAM Industrie.  
Without its written authorization the present drawing shall neither be used for construction anyway, communicated to third parties, nor reproduced.