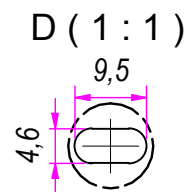
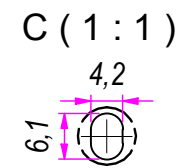
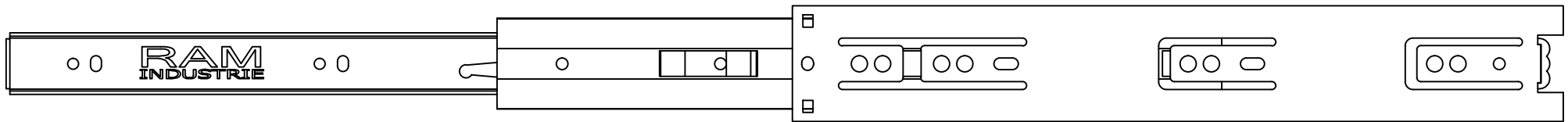


A

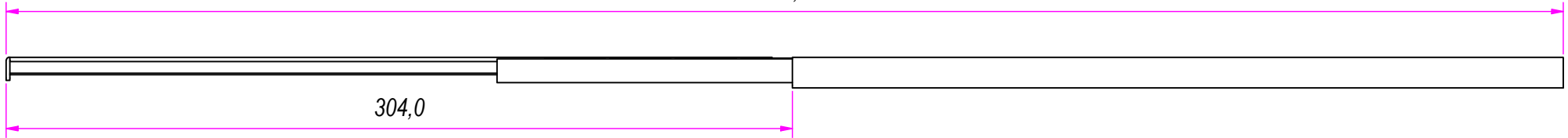


| REVISION HISTORY | | | |
|------------------|-------------------------|------------|--|
| REV | DESCRIPTION | DATE | |
| 1a | Eliminated hole (18-11) | 24/09/2018 | |
| 2a | Eliminated REV 1 (19-2) | 17/04/2019 | |
| 3a | Added hole (19-22) | 05/03/2020 | |

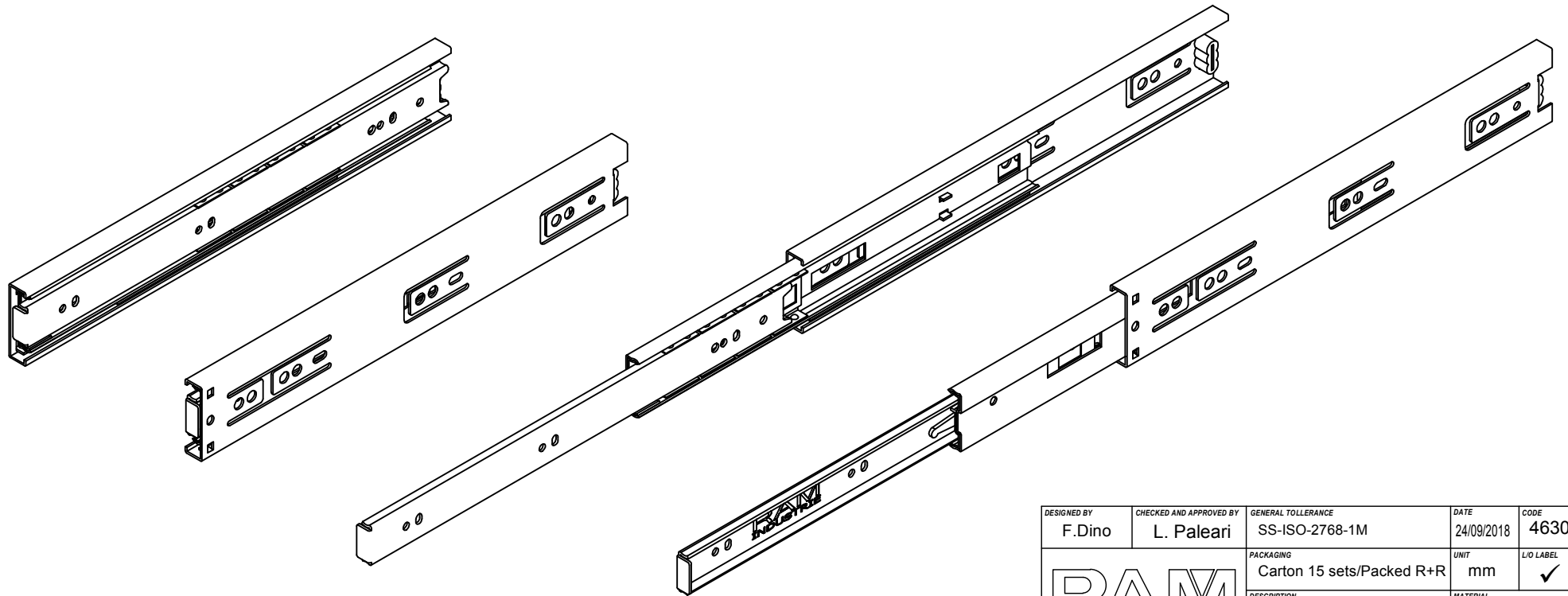
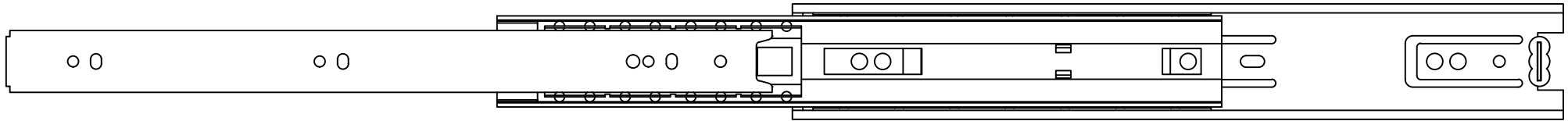
| | | | | |
|---|---------------------------------------|--|-------------------------------|-----------------|
| DESIGNED BY F. Dino | CHECKED AND APPROVED BY L. Paleari | GENERAL TOLERANCE SS-ISO-2768-1M | DATE 24/09/2018 | CODE 46300 |
| | | PACKAGING Carton 15 sets/Packed R+R | UNIT mm | L/O LABEL ✓ |
| | | DESCRIPTION | MATERIAL Cold rolled steel | |
| | | DEVICE | PAIR WEIGHT 0,896 Kg | SHEET 1 of 2 |
| Property of RAM Industrie. Without its written authorization the present drawing shall neither be used for construction anyway, communicated to third parties, nor reproduced. | | | | |



604,0



304,0



| | | | | |
|--|---------------------------------------|-------------------------------------|--------------------|-----------------|
| DESIGNED BY F. Dino | CHECKED AND APPROVED BY L. Paleari | GENERAL TOLERANCE SS-ISO-2768-1M | DATE 24/09/2018 | CODE 46300 |
| PACKAGING Carton 15 sets/Packed R+R | | UNIT mm | L/O LABEL ✓ | SHEET 2 of 2 |
| DESCRIPTION | | MATERIAL Cold rolled steel | | |
| DEVICE | | PAIR WEIGHT 0,896 Kg | 03T | |

RAM
INDUSTRIE

| REVISION HISTORY | | |
|------------------|-------------------------|------------|
| REV | DESCRIPTION | DATE |
| 1a | Eliminated hole (18-11) | 24/09/2018 |
| 2a | Eliminated REV 1 (19-2) | 17/04/2019 |
| 3a | Added hole (19-22) | 05/03/2020 |

| | |
|---|---|
| Guide per cassetti; guide telescopica | Coulisses à billes; coulisse télescopique |
| Drawer slide; telescopic ball bearing slide | Guías para cajones; guía teleópica |
| Kugelführung; Teleskopschienen | |

Property of RAM Industrie.
Without its written authorization the present drawing shall neither be used for construction anyway, communicated to third parties, nor reproduced.