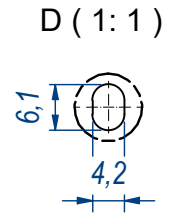
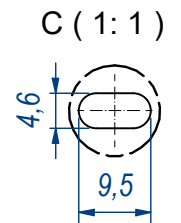
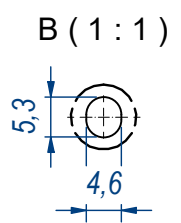
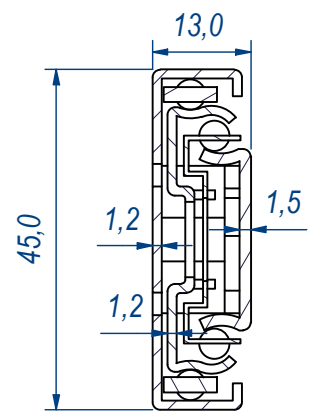


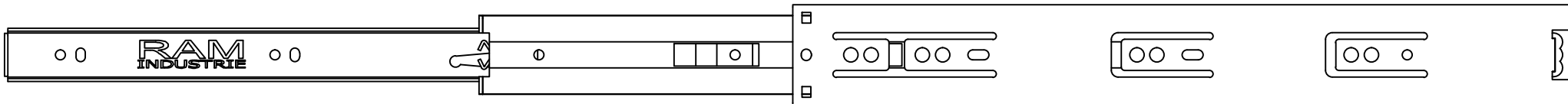
SEZ. A-A



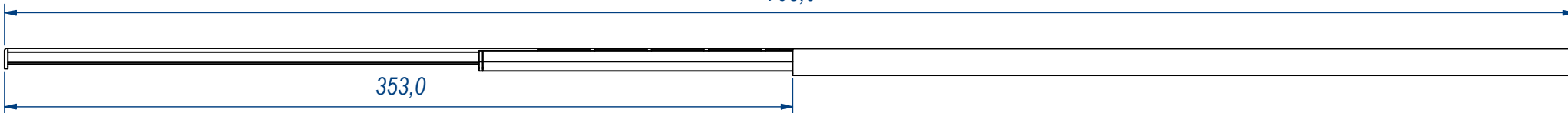
DESIGNED BY F.Dino	CHECKED AND APPROVED BY L. Paleari	GENERAL TOLERANCE SS-ISO-2768-1M	DATE 07/03/2016	CODE 46350
		PACKAGING Carton 15 sets/Packed R+R	UNIT mm	L/O LABEL ✓
		DESCRIPTION	MATERIAL Cold rolled steel	
DEVICE			PAIR WEIGHT 1,064 Kg	SHEET 1 of 2

REVISION HISTORY			
REV	DESCRIPTION	APPROVED BY	DATE
1	Modified limit switch (21-21)	F.Dino	07/09/2021
2	Moved hole (21-91)	F.Dino	28/01/2022

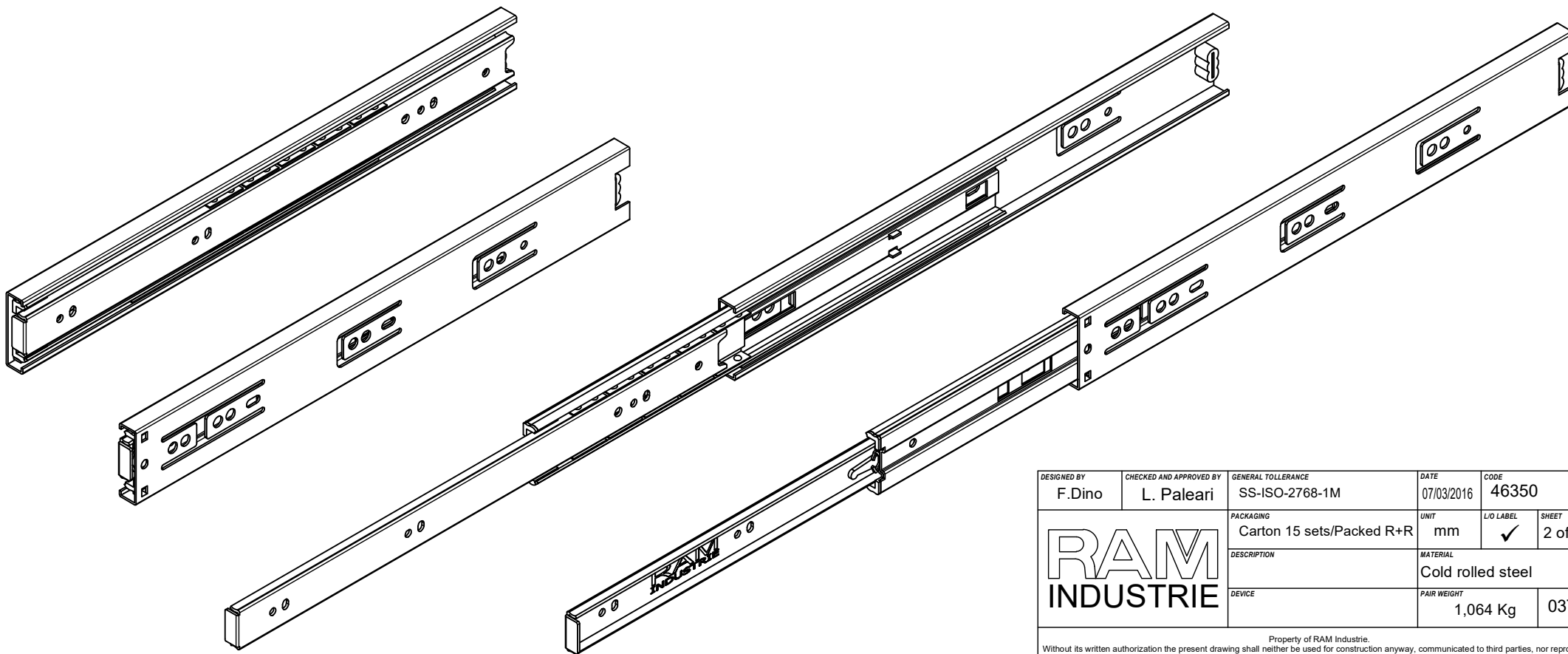
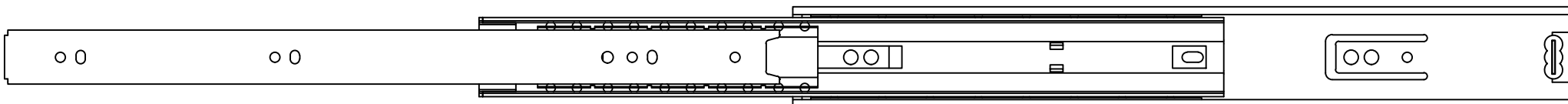
Property of RAM Industrie.
Without its written authorization the present drawing shall neither be used for construction anyway, communicated to third parties, nor reproduced.




703,0



353,0



DESIGNED BY F.Dino	CHECKED AND APPROVED BY L. Paleari	GENERAL TOLERANCE SS-ISO-2768-1M	DATE 07/03/2016	CODE 46350
		PACKAGING Carton 15 sets/Packed R+R	UNIT mm	L/O LABEL ✓
		DESCRIPTION	MATERIAL Cold rolled steel	
DEVICE		PAIR WEIGHT 1,064 Kg	03T	

Property of RAM Industrie.
Without its written authorization the present drawing shall neither be used for construction anyway, communicated to third parties, nor reproduced.