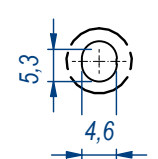
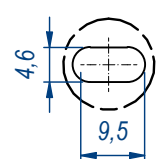


SEZ. A-A

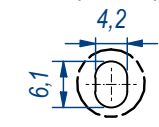
B (1:1)



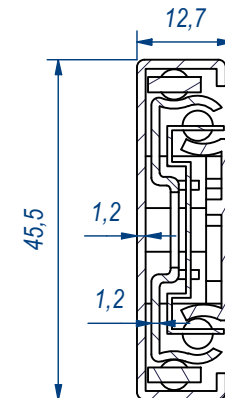
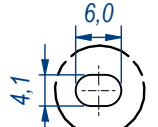
C (1:1)



D (1:1)



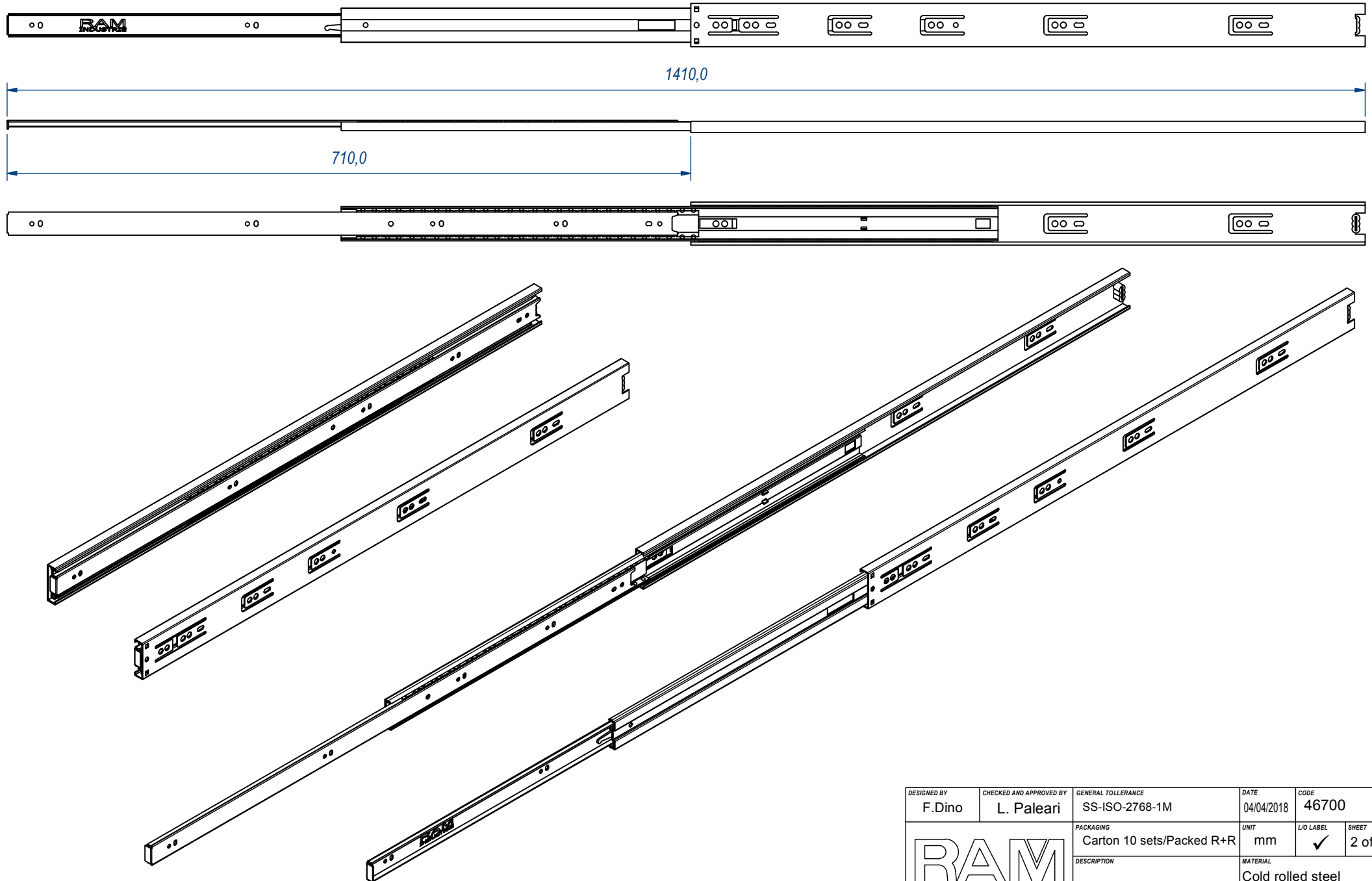
E (1:1)



DESIGNED BY F. Dino	CHECKED AND APPROVED BY L. Paleari	GENERAL TOLERANCE SS-ISO-2768-1M	DATE 04/04/2018	CODE 46700
		PACKAGING Carton 10 sets/Packed R+R	UNIT mm	L/O LABEL ✓
		DESCRIPTION	MATERIAL Cold rolled steel	
		DEVICE	PAIR WEIGHT 2,208 Kg	SHEET 1 of 2

Guide per cassetti; guide telescopiche	Coulisses à billes; coulisse télescopique	REVISION HISTORY		
Drawer slide; telescopic ball bearing slide	Guías para cajones; guía teleópica	REV	DESCRIPTION	DATE
Kugelführung; Teleskopschienen		1a	Added hole (17-33)	04/04/2018

Property of RAM Industrie.
Without its written authorization the present drawing shall neither be used for construction anyway, communicated to third parties, nor reproduced.



Guide per cassetti; guide telescopiche	Coulisses à billes; coulisse télescopique	REVISION HISTORY		
Drawer slide; telescopic ball bearing slide	Guías para cajones; guía telescópica	REV	DESCRIPTION	DATE
Kugelführung; Teleskopschienen		1a	Added hole (17-33)	04/04/2018

DESIGNED BY F. Dino	CHECKED AND APPROVED BY L. Paleari	GENERAL TOLERANCE SS-ISO-2768-1M	DATE 04/04/2018	CODE 46700
		PACKAGING Carton 10 sets/Packed R+R	UNIT mm	L/O LABEL ✓
		DESCRIPTION	MATERIAL Cold rolled steel	
		DEVICE	PAIR WEIGHT 2,208 Kg	SHEET 2 of 2
Property of RAM Industrie. Without its written authorization the present drawing shall neither be used for construction anyway, communicated to third parties, nor reproduced.				