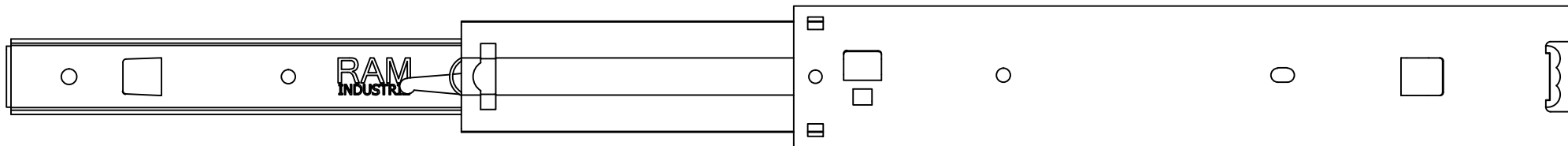


REVISION HISTORY			
REV	DESCRIPTION	APPROVED BY	DATE
1	Added teeth (16-21)	F.Dino	09/11/2016
2	Removed slotted hole (16-34)	F.Dino	08/06/2017

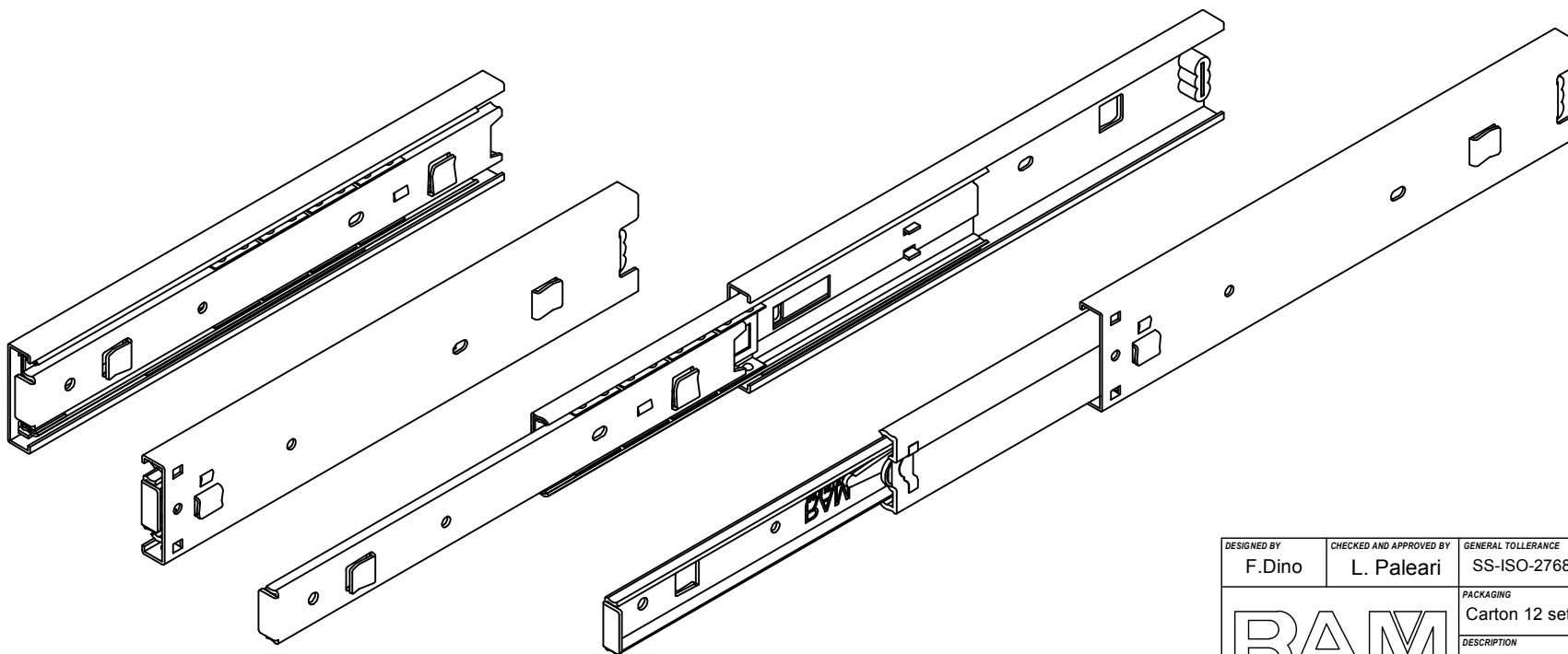
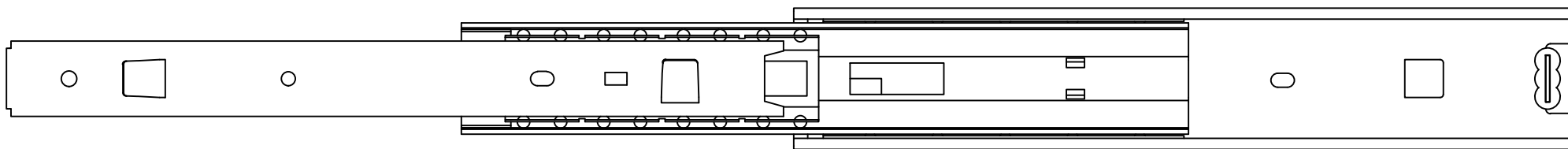
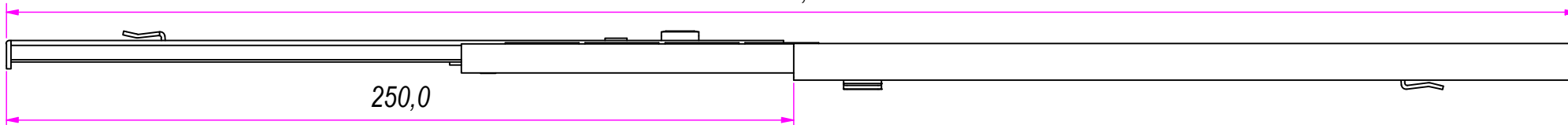
DESIGNED BY F.Dino	CHECKED AND APPROVED BY L. Paleari	GENERAL TOLLERANCE SS-ISO-2768-1M	DATE 09/11/2016	SHEET 1 of 2	CODE 47250
PACKAGING Carton 12 sets/Packed R+L			CYCLES TEST	SALT SPRAY TEST	L/O LABEL ✓
DESCRIPTION Bayonet side mounting			MATERIAL Cold rolled steel		
DEVICE			PAIR WEIGHT 0,772 Kg	UNIT mm	02C
Property of RAM Industrie. Without its written authorization the present drawing shall neither be used for construction anyway, communicated to third parties, nor reproduced.					

RAM
INDUSTRIE



500,0

250,0



REVISION HISTORY			
REV	DESCRIPTION	APPROVED BY	DATE
1	Added teeth (16-21)	F.Dino	09/11/2016
2	Removed slotted hole (16-34)	F.Dino	08/06/2017

DESIGNED BY F.Dino	CHECKED AND APPROVED BY L. Paleari	GENERAL TOLERANCE SS-ISO-2768-1M	DATE 09/11/2016	SHEET 2 of 2	CODE 47250
PACKAGING Carton 12 sets/Packed R+L			CYCLES TEST	SALT SPRAY TEST	L/O LABEL ✓
DESCRIPTION Bayonet side mounting			MATERIAL Cold rolled steel		
DEVICE			PAIR WEIGHT 0,772 Kg	UNIT mm	02C

RAM
INDUSTRIE

Property of RAM Industrie.
Without its written authorization the present drawing shall neither be used for construction anyway, communicated to third parties, nor reproduced.