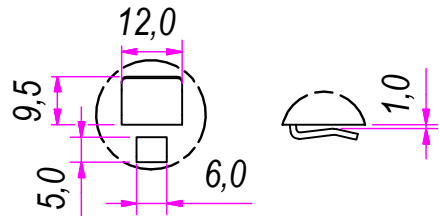
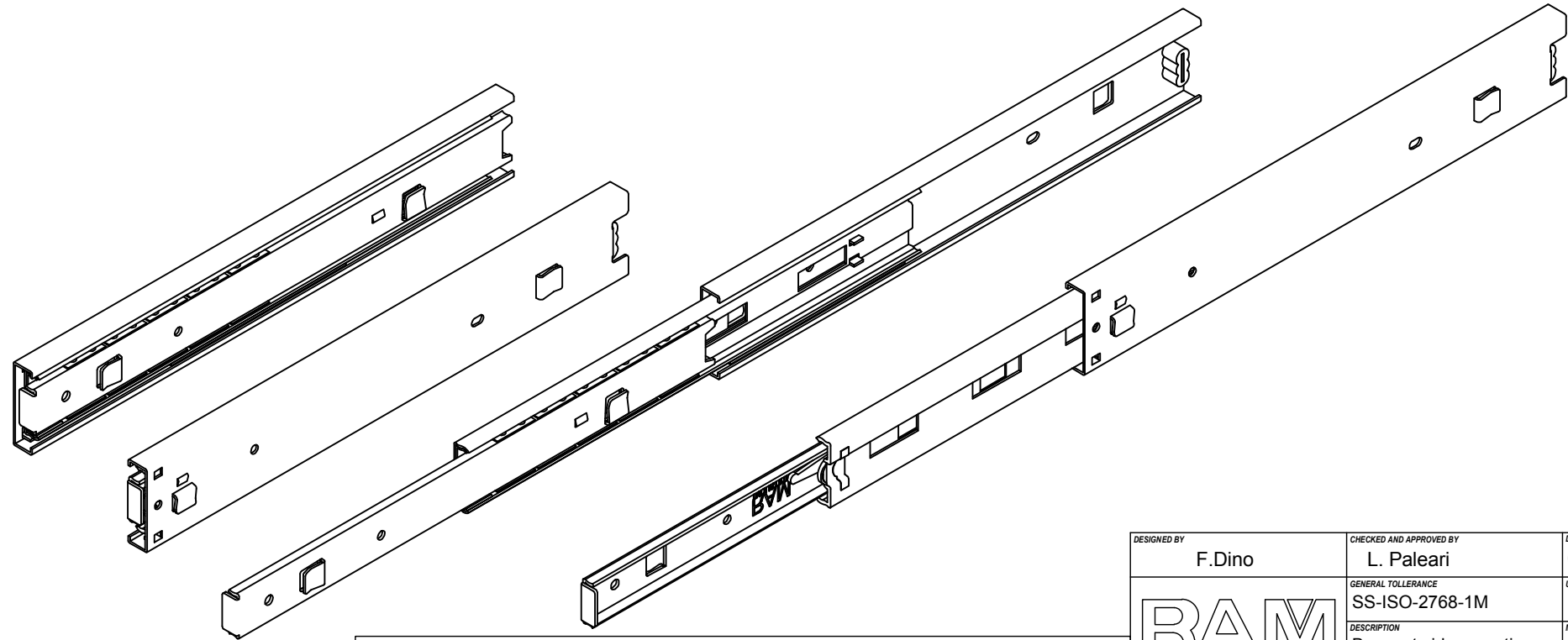
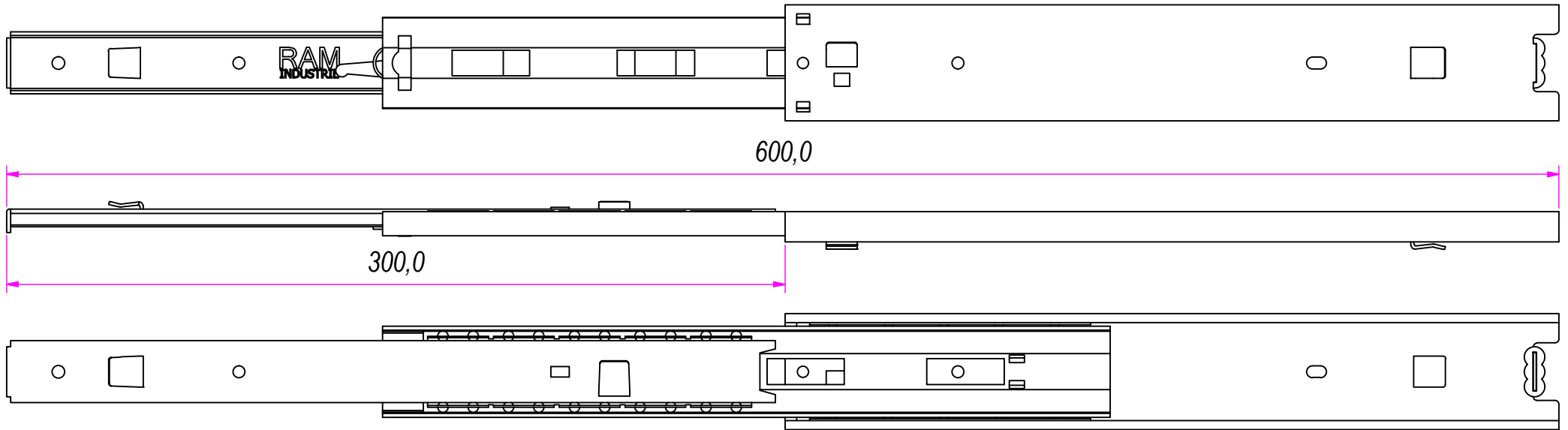


B (1:1.5)




REVISION HISTORY			
REV	DESCRIPTION	APPROVED BY	DATE
1	Added teeth (16-21)	F.Dino	09/11/2016
2	Removed slotted hole (16-34)	F.Dino	08/06/2017
3	Added slotted hole (17-03)	F.Dino	02/11/2017

DESIGNED BY F.Dino	CHECKED AND APPROVED BY L. Paleari	DATE 02/11/2017	CODE 47300		
		GENERAL TOLLERANCE SS-ISO-2768-1M	UNIT mm	SCALE 1 of 2	SHEET 1 of 2
		DESCRIPTION Bayonet side mounting	MATERIAL Cold rolled steel		
DEVICE		PAIR WEIGHT 0,928 Kg	02C		
<small>Property of RAM Industrie. Without its written authorization the present drawing shall neither be used for construction anyway, communicated to third parties, nor reproduced.</small>					



REVISION HISTORY			
REV	DESCRIPTION	APPROVED BY	DATE
1	Added teeth (16-21)	F.Dino	09/11/2016
2	Removed slotted hole (16-34)	F.Dino	08/06/2017
3	Added slotted hole (17-03)	F.Dino	02/11/2017

DESIGNED BY F.Dino	CHECKED AND APPROVED BY L. Paleari	DATE 02/11/2017	CODE 47300		
		GENERAL TOLLERANCE SS-ISO-2768-1M	UNIT mm	SCALE	SHEET 2 of 2
		DESCRIPTION Bayonet side mounting	MATERIAL Cold rolled steel	PAIR WEIGHT 0,928 Kg	02C
<small>Property of RAM Industrie. Without its written authorization the present drawing shall neither be used for construction anyway, communicated to third parties, nor reproduced.</small>					